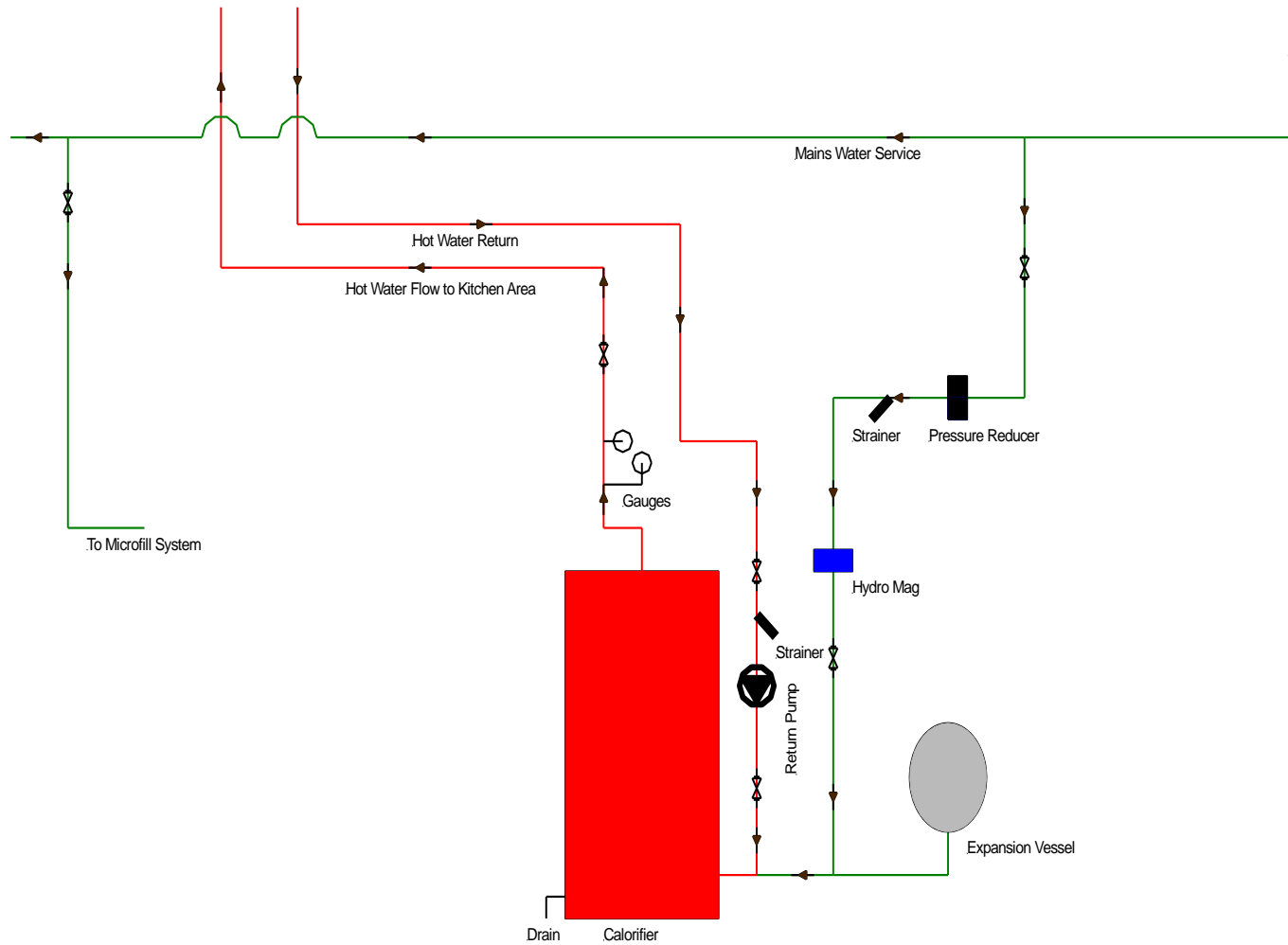


Bitterne Manor Primary School
Water System Drawings 2015



KEY

-  Ball A Fix Valve
-  bf
-  Check Valve
-  Laboratory Tap
-  Blender Valve
-  Pump
-  Isolating Valve
-  Safety Valve
-  Drinking Fountain
-  Shower
-  Mains Water Service
-  Cold Water Down Service
-  Hot Flow/Return

Note

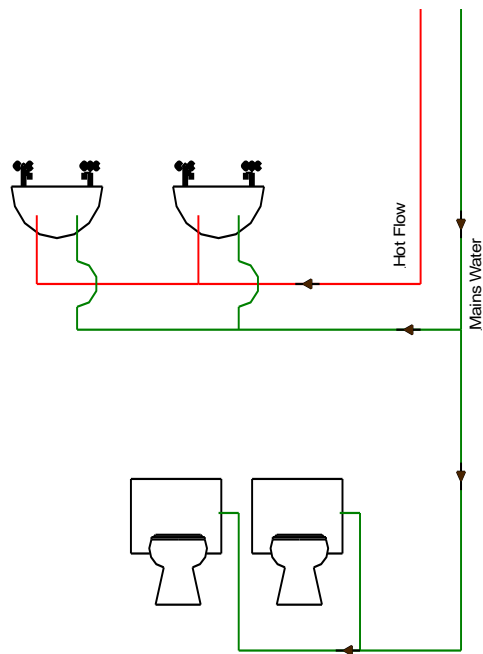
This drawing was prepared for the Legionellosis Risk Assessment Report and not intended as a scaled system drawing. Drawings are based on a visual inspection carried out during the Risk Assessment and information given at the time of the survey. Some areas of pipe work may not have been visible during the survey therefore some assumptions may have been made in order to create this drawing. This drawing is not to scale.

*Freeston Water Treatment
Unit 1
Lulworth Business Centre
Calmore Industrial Estate
Totton Southampton
SO40 3WW
Tel 02380669713*

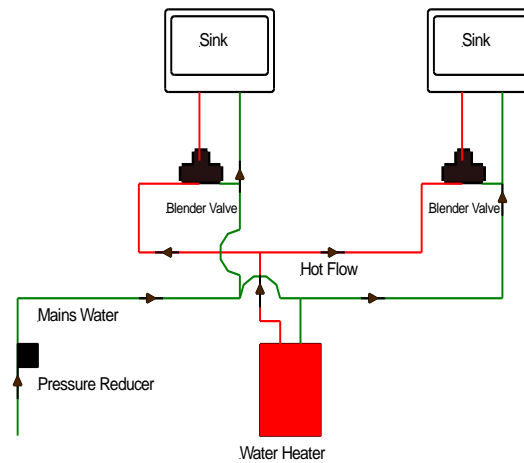
Site Ref
Bitterne Manor Primary School
Boiler Room Calorifier

Date 23/1/2015

Drawing No.1



Toilet Area



Classroom

KEY

-  Ball A Fix Valve
-  bf
-  Check Valve
-  Laboratory Tap
-  Blender Valve
-  Pump
-  Isolating Valve
-  Safety Valve
-  Drinking Fountain
-  Shower
-  Mains Water Service
-  Cold Water Down Service
-  Hot Flow/Return

Note

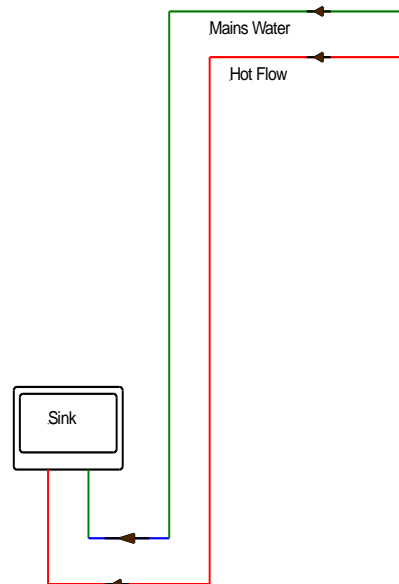
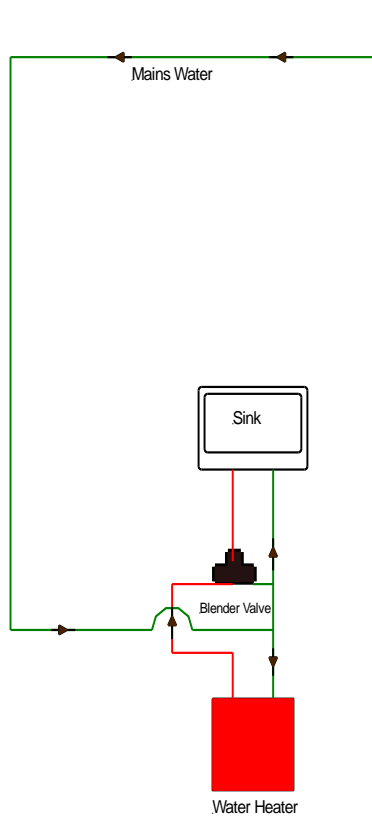
This drawing was prepared for the Legionellosis Risk Assessment Report and not intended as a scaled system drawing. Drawings are based on a visual inspection carried out during the Risk Assessment and information given at the time of the survey. Some areas of pipe work may not have been visible during the survey therefore some assumptions may have been made in order to create this drawing. This drawing is not to scale.

*Freeston Water Treatment
Unit 1
Lulworth Business Centre
Calmore Industrial Estate
Totton Southampton
SO40 3WW
Tel 02380669713*

Site Ref
Bitterne Manor Primary School
Pre-School

Date 23/1/2015

Drawing No.2



KEY

-  Ball A Fix Valve
-  bf
-  Check Valve
-  Laboratory Tap
-  Blender Valve
-  Pump
-  Isolating Valve
-  Safety Valve
-  Drinking Fountain
-  Shower
-  Mains Water Service
-  Cold Water Down Service
-  Hot Flow/Return

Note

This drawing was prepared for the Legionellosis Risk Assessment Report and not intended as a scaled system drawing.

Drawings are based on a visual inspection carried out during the Risk Assessment and information given at the time of the survey.

Some areas of pipe work may not have been visible during the survey therefore some assumptions may have been made in order to create this drawing.

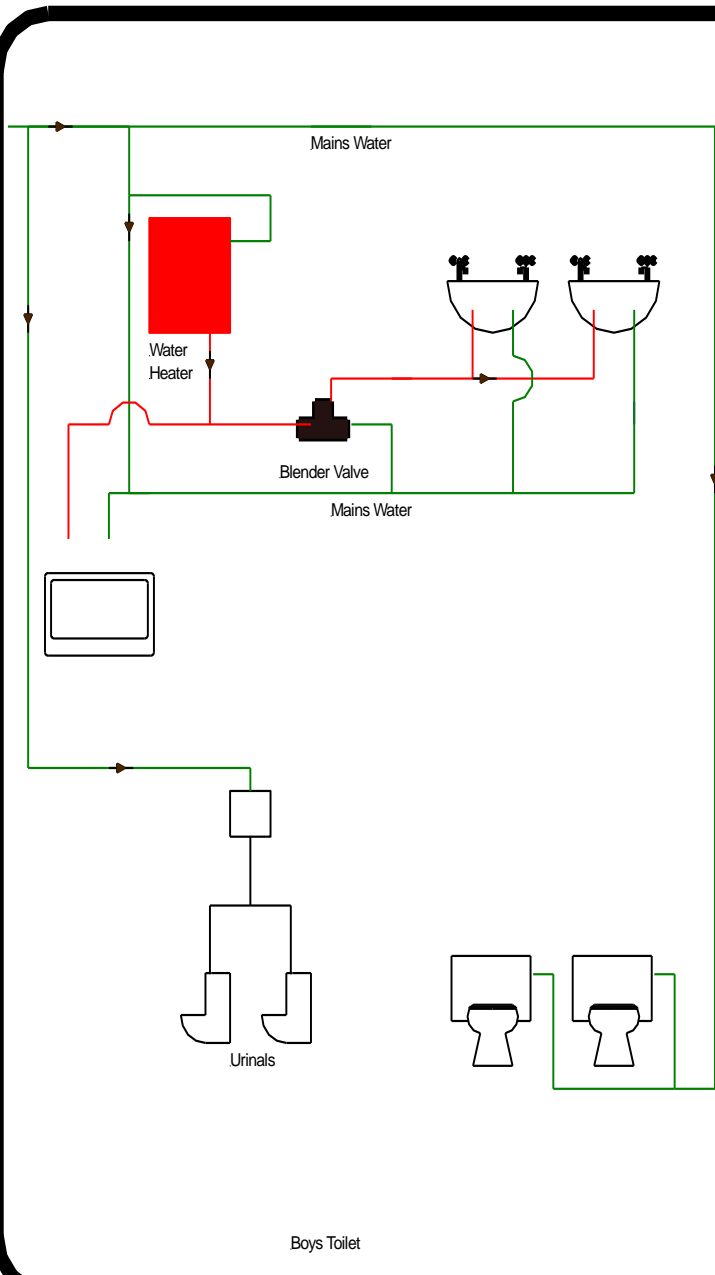
This drawing is not to scale.

*Freeston Water Treatment
Unit 1
Lulworth Business Centre
Calmore Industrial Estate
Totton Southampton
SO40 3WW
Tel 02380669713*

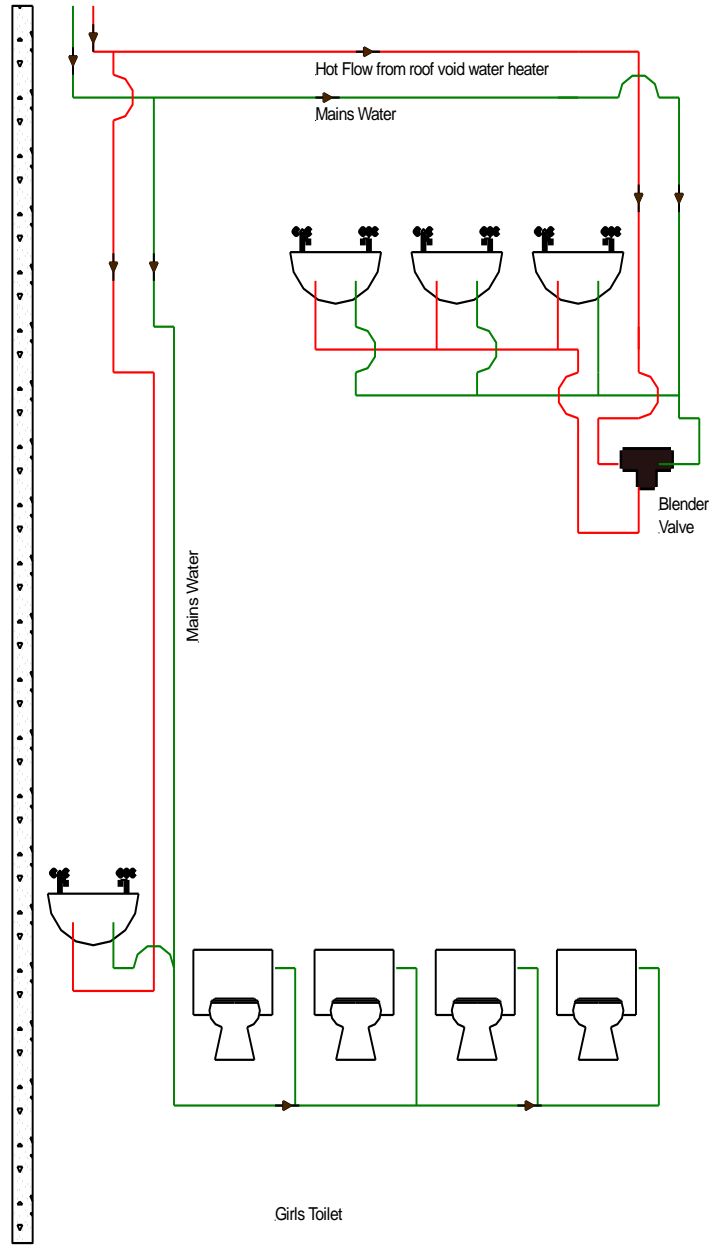
Site Ref
Bitterne Manor Primary School
Year R Classroom Area

Date 23/1/2015

Drawing No.3



Boys Toilet



Girls Toilet

KEY

-  Ball A Fix Valve
-  Check Valve
-  Laboratory Tap
-  Blender Valve
-  Pump
-  Isolating Valve
-  Safety Valve
-  Drinking Fountain
-  Shower
-  Mains Water Service
-  Cold Water Down Service
-  Hot Flow/Return

Note

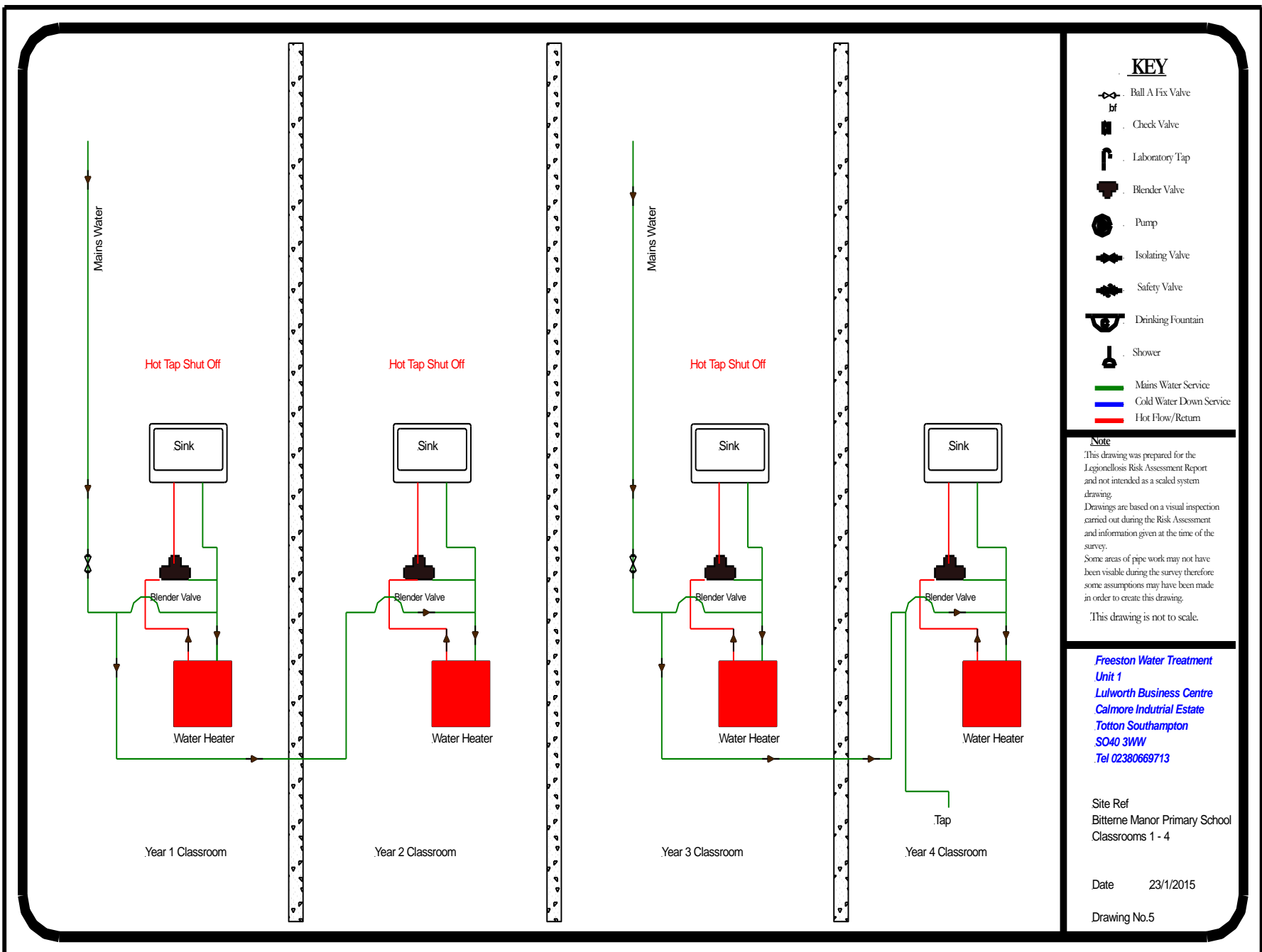
This drawing was prepared for the Legionellosis Risk Assessment Report and not intended as a scaled system drawing. Drawings are based on a visual inspection carried out during the Risk Assessment and information given at the time of the survey. Some areas of pipe work may not have been visible during the survey therefore some assumptions may have been made in order to create this drawing. This drawing is not to scale.

*Freeston Water Treatment
Unit 1
Lulworth Business Centre
Calmore Industrial Estate
Totton Southampton
SO40 3WW
Tel 02380669713*

Site Ref
Bitterne Manor Primary School
Junior End of School
Boys & Girls Toilets

Date 23/1/2015

Drawing No.4



KEY

- Ball A Fix Valve
- bf
- Check Valve
- Laboratory Tap
- Blender Valve
- Pump
- Isolating Valve
- Safety Valve
- Drinking Fountain
- Shower
- Mains Water Service
- Cold Water Down Service
- Hot Flow/Return

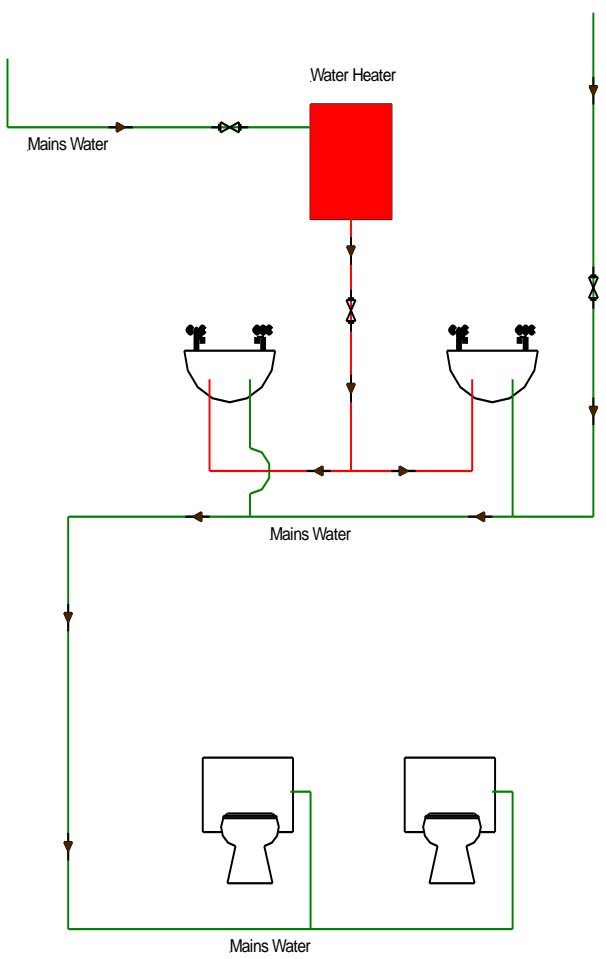
Note
 This drawing was prepared for the Legionellosis Risk Assessment Report and not intended as a scaled system drawing. Drawings are based on a visual inspection carried out during the Risk Assessment and information given at the time of the survey. Some areas of pipe work may not have been visible during the survey therefore some assumptions may have been made in order to create this drawing. This drawing is not to scale.

*Freeston Water Treatment
 Unit 1
 Lulworth Business Centre
 Calmore Industrial Estate
 Totton Southampton
 SO40 3WW
 Tel 02380669713*

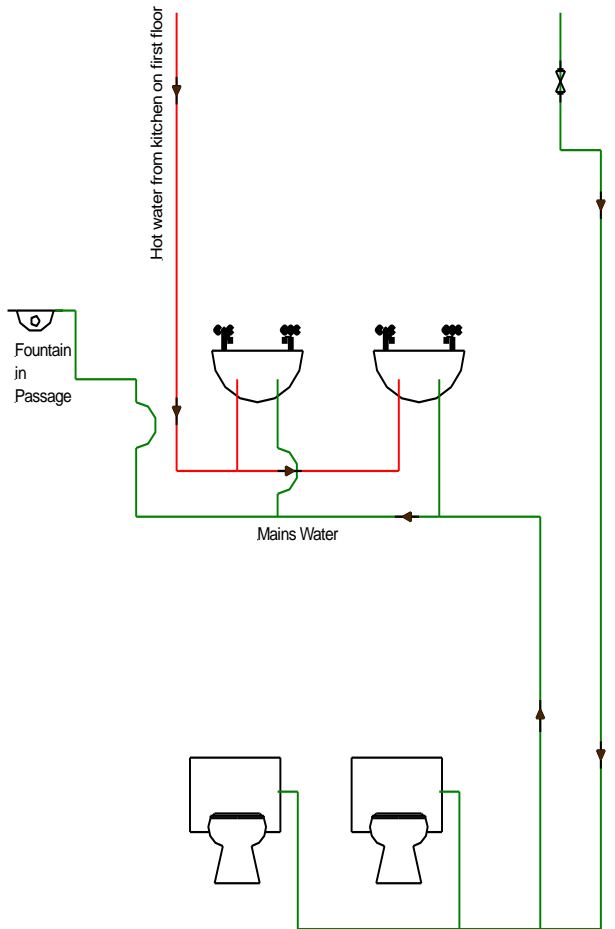
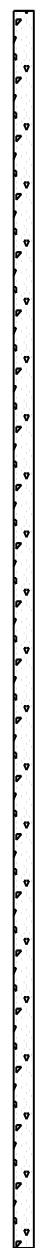
Site Ref
 Bitterne Manor Primary School
 Classrooms 1 - 4

Date 23/1/2015

Drawing No.5



Boys Toilet



Girls Toilet

KEY

- Ball A Fix Valve
- bf
- Check Valve
- Laboratory Tap
- Blender Valve
- Pump
- Isolating Valve
- Safety Valve
- Drinking Fountain
- Shower
- Mains Water Service
- Cold Water Down Service
- Hot Flow/Return

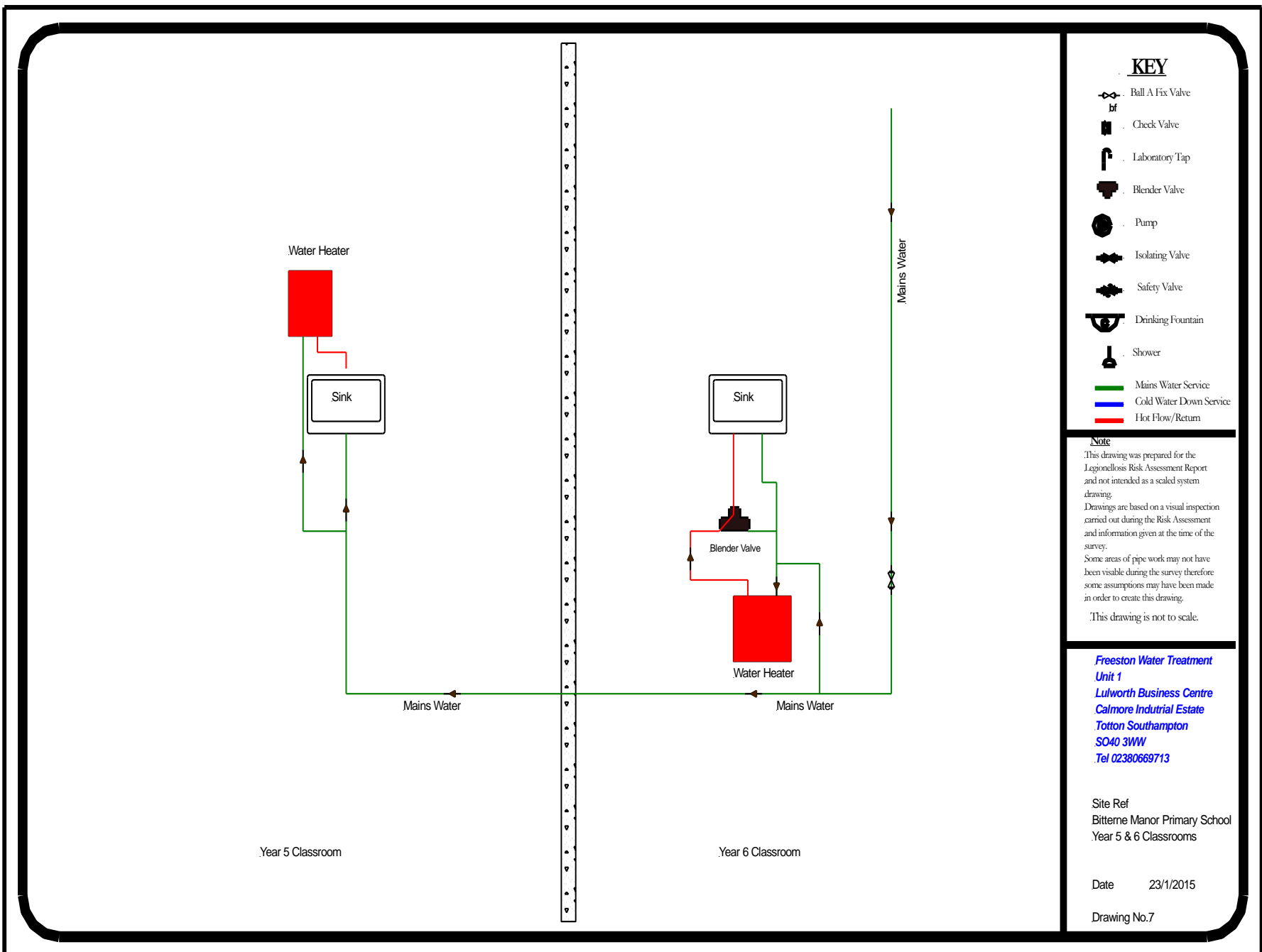
Note
 This drawing was prepared for the Legionellosis Risk Assessment Report and not intended as a scaled system drawing.
 Drawings are based on a visual inspection carried out during the Risk Assessment and information given at the time of the survey.
 Some areas of pipe work may not have been visible during the survey therefore some assumptions may have been made in order to create this drawing.
 This drawing is not to scale.

*Freeston Water Treatment
 Unit 1
 Lulworth Business Centre
 Calmore Industrial Estate
 Totton Southampton
 SO40 3WW
 Tel 02380669713*

Site Ref
 Bitterne Manor Primary School
 Year 5 & 6 Toilets

Date 23/1/2015

Drawing No.6



KEY

- Ball A Fix Valve
- bf
- Check Valve
- Laboratory Tap
- Blender Valve
- Pump
- Isolating Valve
- Safety Valve
- Drinking Fountain
- Shower
- Mains Water Service
- Cold Water Down Service
- Hot Flow/Return

Note
 This drawing was prepared for the Legionellosis Risk Assessment Report and not intended as a scaled system drawing.
 Drawings are based on a visual inspection carried out during the Risk Assessment and information given at the time of the survey.
 Some areas of pipe work may not have been visible during the survey therefore some assumptions may have been made in order to create this drawing.
 This drawing is not to scale.

*Freeston Water Treatment
 Unit 1
 Lulworth Business Centre
 Calmore Industrial Estate
 Totton Southampton
 SO40 3WW
 Tel 02380669713*

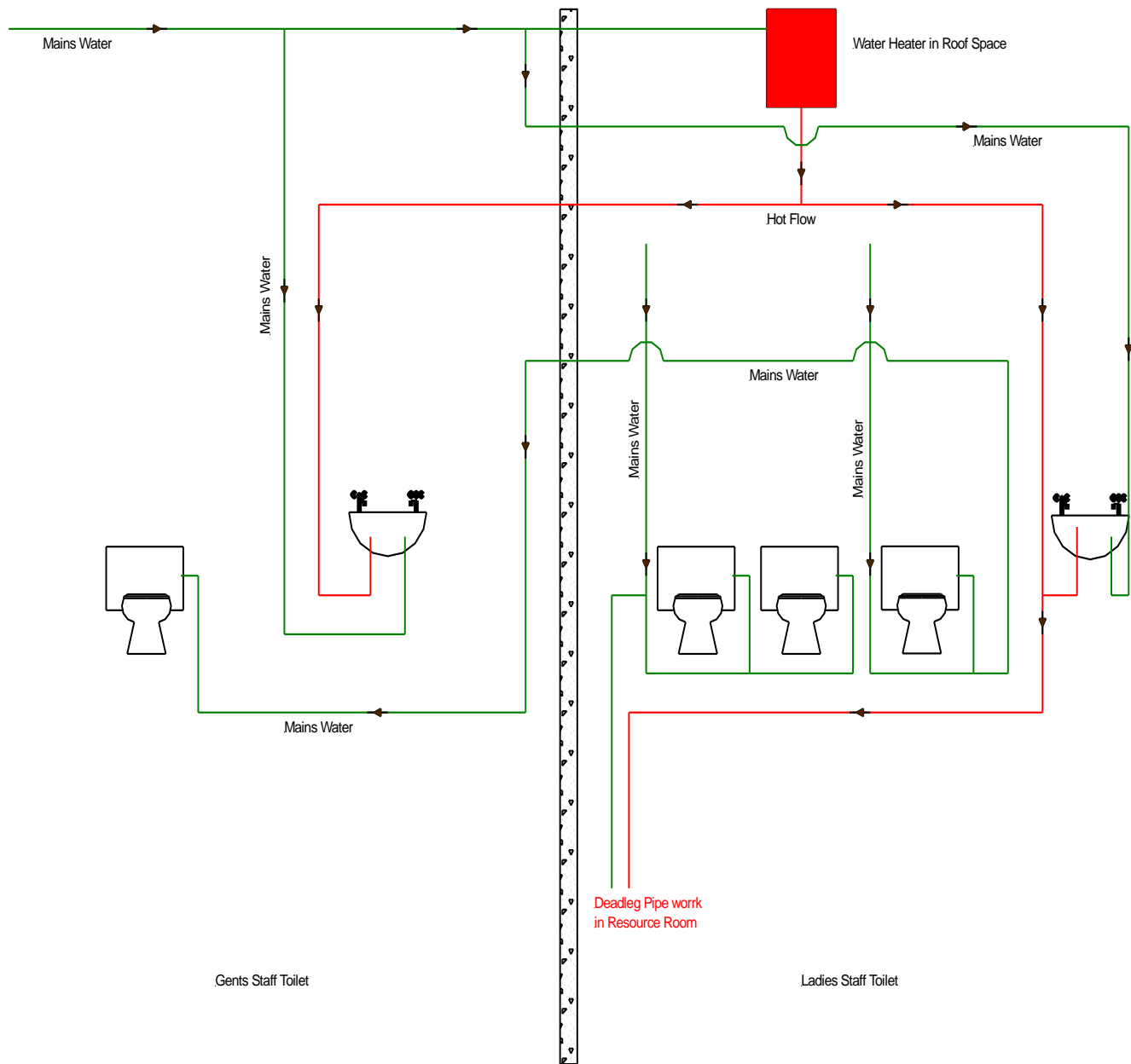
Site Ref
 Bitterne Manor Primary School
 Year 5 & 6 Classrooms

Date 23/1/2015

Drawing No.7

Year 5 Classroom

Year 6 Classroom



KEY

-  Ball A Fix Valve
-  bf
-  Check Valve
-  Laboratory Tap
-  Blender Valve
-  Pump
-  Isolating Valve
-  Safety Valve
-  Drinking Fountain
-  Shower
-  Mains Water Service
-  Cold Water Down Service
-  Hot Flow/Return

Note

This drawing was prepared for the Legionellosis Risk Assessment Report and not intended as a scaled system drawing. Drawings are based on a visual inspection carried out during the Risk Assessment and information given at the time of the survey. Some areas of pipe work may not have been visible during the survey therefore some assumptions may have been made in order to create this drawing. This drawing is not to scale.

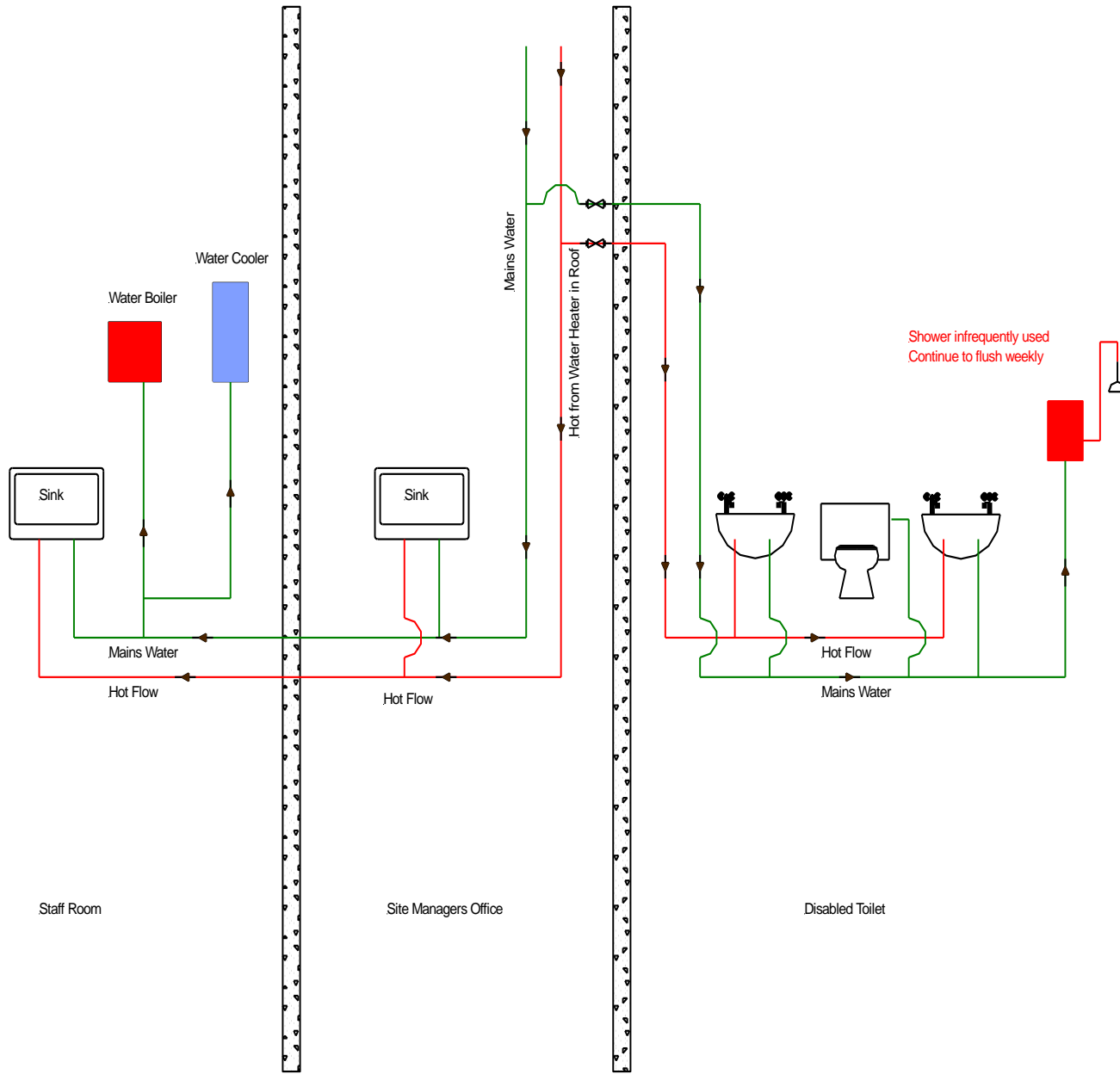
*Freeston Water Treatment
Unit 1
Lulworth Business Centre
Calmore Industrial Estate
Totton Southampton
SO40 3WW
Tel 02380669713*

Site Ref
Bitterne Manor Primary School
Gents Staff Toilet
Ladies Staff Toilet

Date 23/1/2015

Drawing No.8

Deadleg Pipe work
in Resource Room



KEY

-  Ball A Fix Valve
-  bf
-  Check Valve
-  Laboratory Tap
-  Blender Valve
-  Pump
-  Isolating Valve
-  Safety Valve
-  Drinking Fountain
-  Shower
-  Mains Water Service
-  Cold Water Down Service
-  Hot Flow/Return

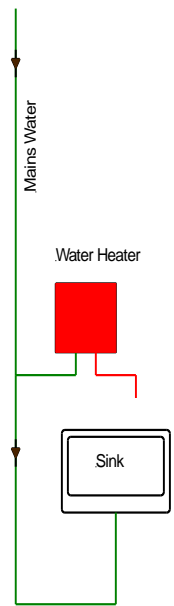
Note

This drawing was prepared for the Legionellosis Risk Assessment Report and not intended as a scaled system drawing. Drawings are based on a visual inspection carried out during the Risk Assessment and information given at the time of the survey. Some areas of pipe work may not have been visible during the survey therefore some assumptions may have been made in order to create this drawing. This drawing is not to scale.

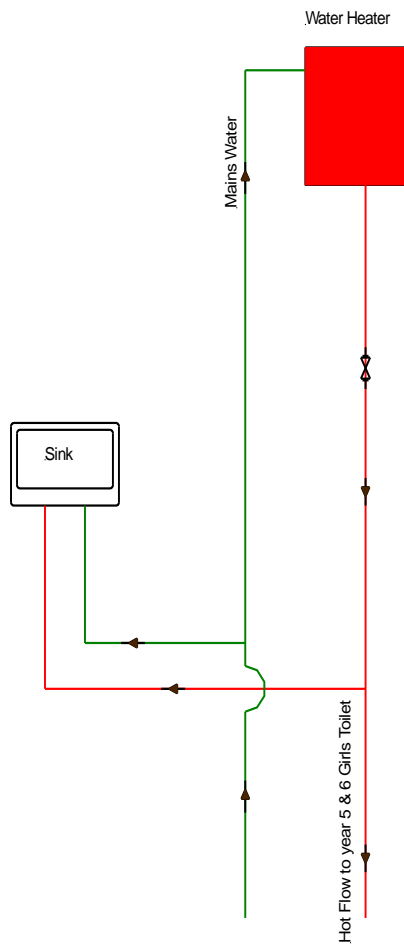
*Freeston Water Treatment
Unit 1
Lulworth Business Centre
Calmore Industrial Estate
Totton Southampton
SO40 3WW
Tel 02380669713*

Site Ref
Bitterne Manor Primary School
Staff Room
Site Managers Office
Disabled Toilet
Date 23/1/2015

Drawing No.9



First Aid Room



First Floor Kitchen Area

KEY

- Ball A Fix Valve
- Check Valve
- Laboratory Tap
- Blender Valve
- Pump
- Isolating Valve
- Safety Valve
- Drinking Fountain
- Shower
- Mains Water Service
- Cold Water Down Service
- Hot Flow/Return

Note

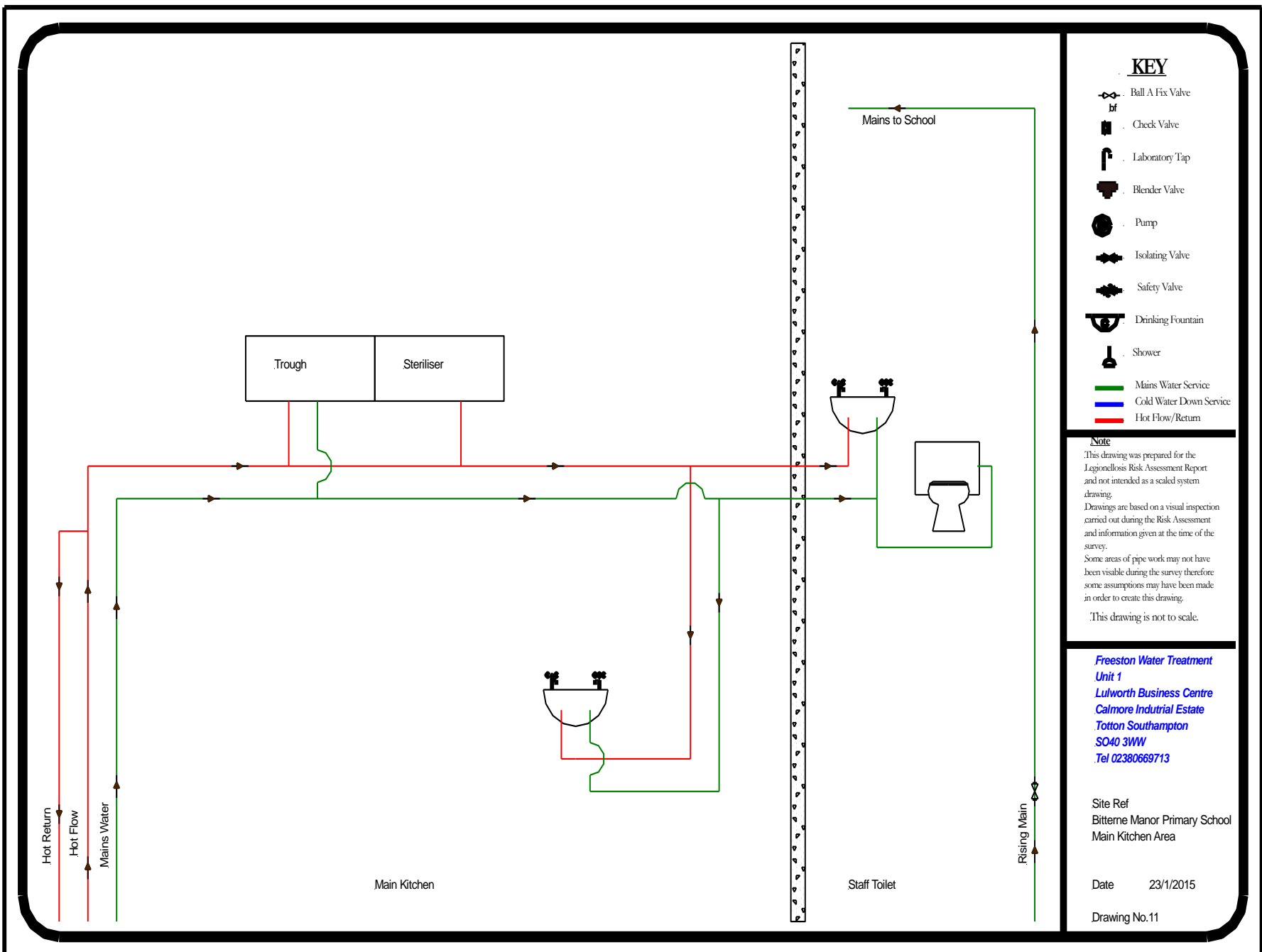
This drawing was prepared for the Legionellosis Risk Assessment Report and not intended as a sealed system drawing.
 Drawings are based on a visual inspection carried out during the Risk Assessment and information given at the time of the survey.
 Some areas of pipe work may not have been visible during the survey therefore some assumptions may have been made in order to create this drawing.
 This drawing is not to scale.

*Freeston Water Treatment
 Unit 1
 Lulworth Business Centre
 Calmore Industrial Estate
 Totton Southampton
 SO40 3WW
 Tel 02380669713*

Site Ref
 Bitterne Manor Primary School
 First Aid Room
 First Floor Kitchen Area

Date 23/1/2015

Drawing No.10



KEY

- Ball A Fix Valve
- Check Valve
- Laboratory Tap
- Blender Valve
- Pump
- Isolating Valve
- Safety Valve
- Drinking Fountain
- Shower
- Mains Water Service
- Cold Water Down Service
- Hot Flow/Return

Note
 This drawing was prepared for the Legionellosis Risk Assessment Report and not intended as a scaled system drawing. Drawings are based on a visual inspection carried out during the Risk Assessment and information given at the time of the survey. Some areas of pipe work may not have been visible during the survey therefore some assumptions may have been made in order to create this drawing.
 This drawing is not to scale.

*Freeston Water Treatment
 Unit 1
 Lulworth Business Centre
 Calmore Industrial Estate
 Totton Southampton
 SO40 3WW
 Tel 02380669713*

Site Ref
 Bitterne Manor Primary School
 Main Kitchen Area

Date 23/1/2015

Drawing No.11