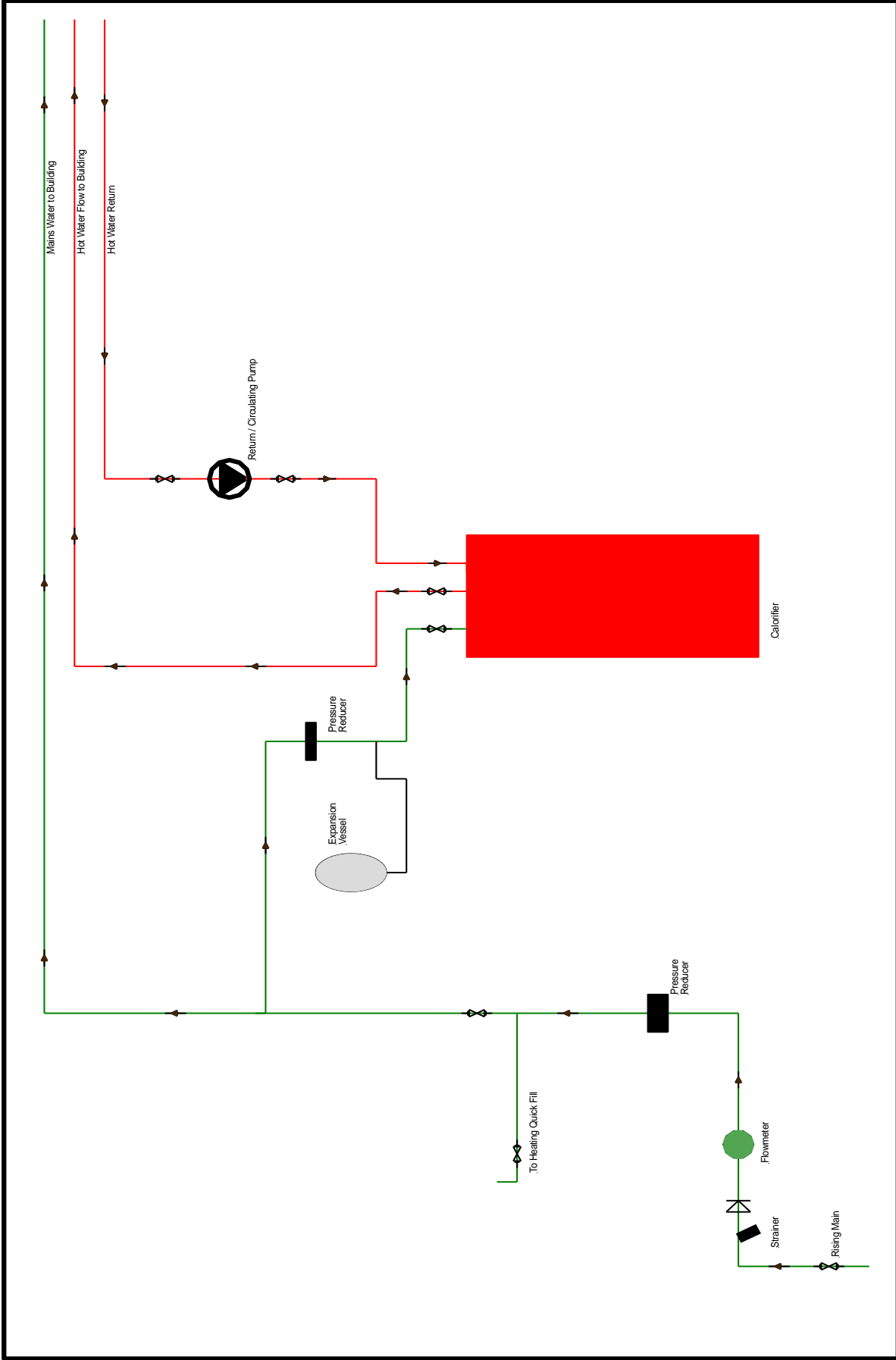


**Merry Oak
Community Centre
&
Pre-School**

**Water System Drawings
21st January 2015**



Site Reference / Date
 Woolston Community Centre
 Domestic Water System
 Boiler Room Area
 21st January 2015

Freeston Water Treatment
 Unit 1
 Lulworth Business Centre
 Calmore Industrial Estate
 Tisbury, Wiltshire, Hampshire
 SO40 3WW
 Tel: 02380069713

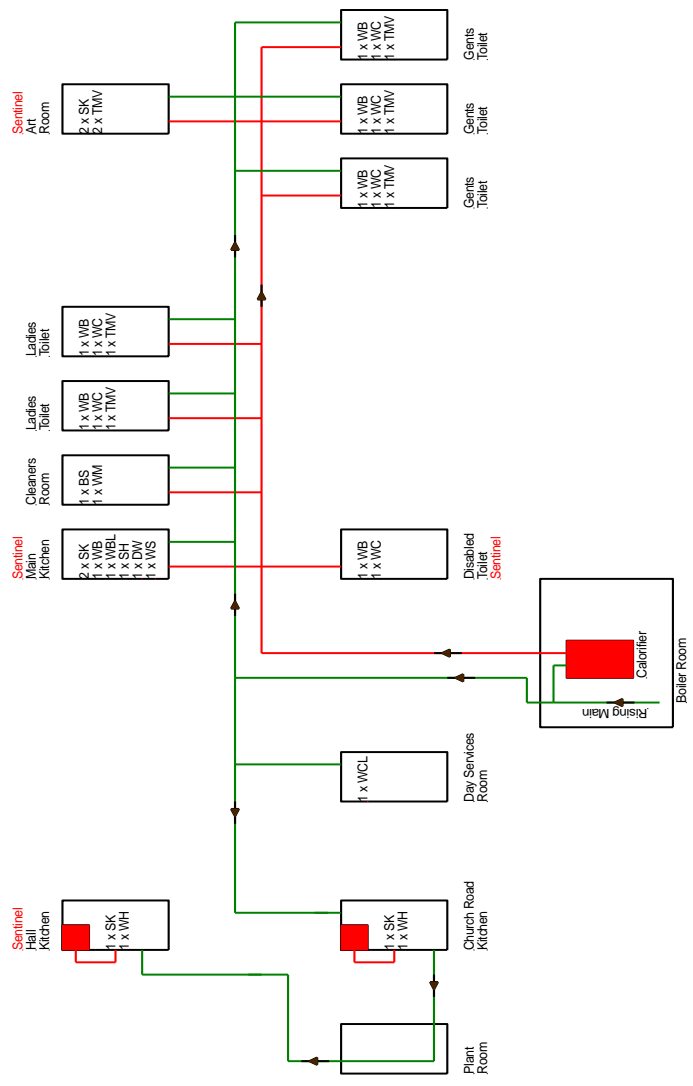
FREESTON
 Water Treatment

This drawing was prepared for the Legionellosis Risk Assessment Report and not intended as a scaled system drawing. Drawings are based on a visual inspection carried out during the Risk Assessment and information given at the time of the survey. Some areas of pipe work may not have been visible during the inspection and the assumptions may have been made in order to create this drawing.

This drawing is not to scale

LEGEND

WM = Washing Machine	DW = Dishwasher	Green line = Mains Water
WB = Wash Basin	UR = Urinal	Blue line = Down Service
SK = Sink	.WH = Water Heater	Red line = Hot Water
WC = Toilet	POUWH = Point Of Use Water Heater	Green line = Softened Water
SH = Shower	.TM = Thermostatic Mixing Valve / Blender Valve	



LEGEND

- WM = Washing Machine
- WB = Wash Basin
- SK = Sink
- WC = Toilet
- SH = Sprayhead
- DW = Dishwasher
- UR = Urinal
- .WH = Water Heater
- POUWH = Point Of Use Water Heater
- .TMV = Thermostatic Mixing Valve / Blender Valve
- WCL = Water Cooler
- WS = Water Softener
- Mains Water
- Down Service
- Hot Water
- Softened Water

This drawing was prepared for the Legionellosis Risk Assessment Report and not intended as a scaled system drawing. Drawings are based on a visual inspection carried out during the Risk Assessment and information given at the time of the survey. Some areas of pipe work may not have been visible during the inspection and the assumptions may have been made in order to create this drawing.

This drawing is not to scale

Freeston Water Treatment
 Unit 1
 Lutworth Business Centre
 Lutworth Industrial Estate
 Tisbury, Wiltshire, Wiltshire, SO40 3WU
 Tel: 02380695713



Site Reference / Date
 Woolston Community Centre
 Building Domestic Water Layout
 21st January 2015

KEY

- Ball A Fix Valve
- Check Valve
- Laboratory Tap
- Blender Valve
- Pump
- Isolating Valve
- Safety Valve
- Drinking Fountain
- Shower
- Mains Water Service
- Cold Water Down Service
- Hot Flow/Return

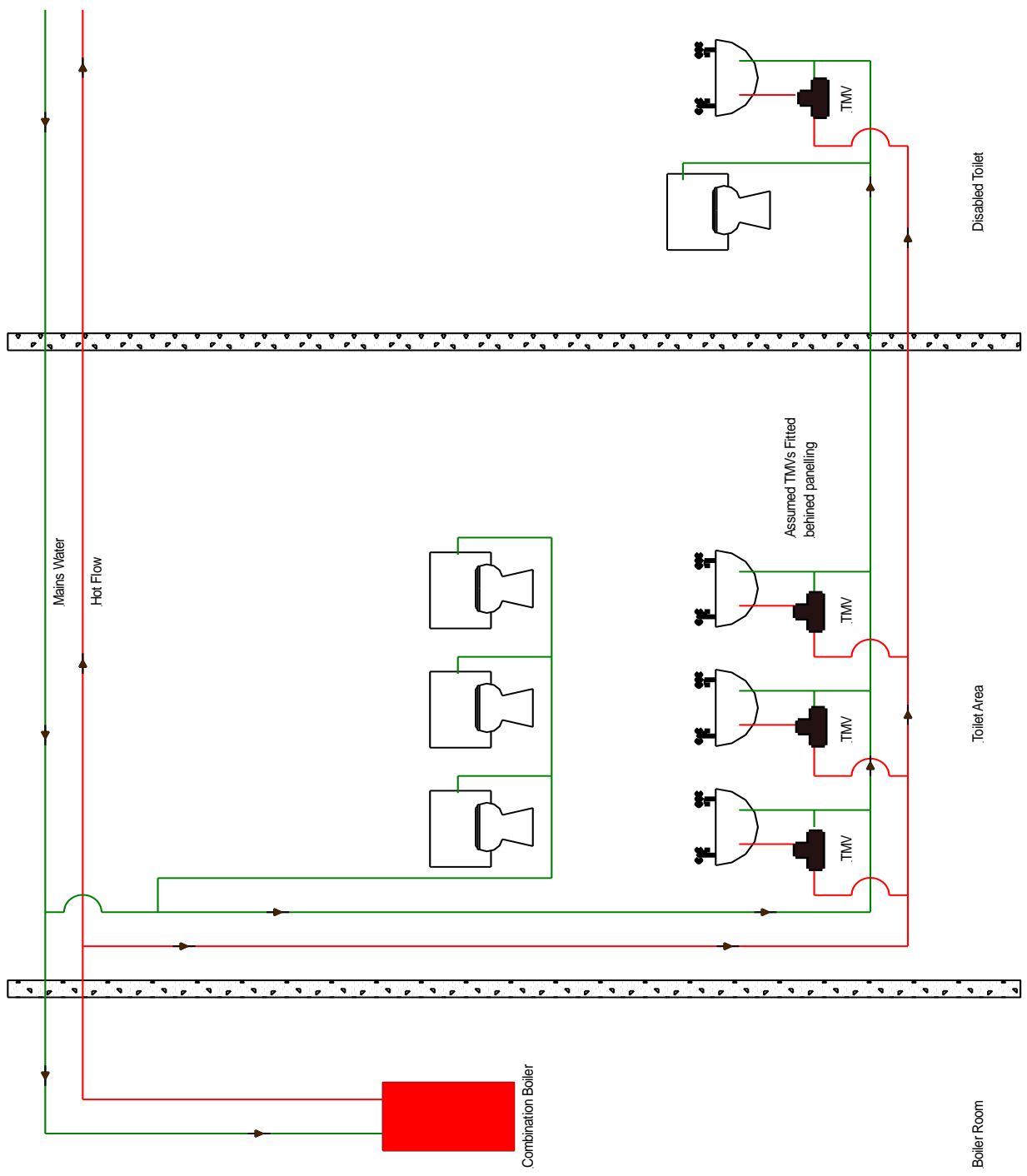
NOTE

This drawing was prepared for the Legionellosis Risk Assessment Report and not intended as a scaled system drawing.
 Drawings are based on a visual inspection carried out during the Risk Assessment and information given at the time of the survey.
 Some areas of pipe work may not have been visible during the survey therefore some assumptions may have been made in order to create this drawing.
 This drawing is not to scale.

Freeston Water Treatment
 Unit 1
 Lulworth Business Centre
 Calmore Industrial Estate
 Totton Southampton
 SO40 3WW
 Tel 02380669713

Site Ref
 Woolston Community Centre
 Pre-School

Date 21st January 2015
 Drawing No.1



KEY

- Ball A Fix Valve
- Check Valve
- Laboratory Tap
- Blender Valve
- Pump
- Isolating Valve
- Safety Valve
- Drinking Fountain
- Shower
- Mains Water Service
- Cold Water Down Service
- Hot Flow/Return

NOTE

This drawing was prepared for the Legendloss Risk Assessment Report and not intended as a scaled system drawing.
 Drawings are based on a visual inspection carried out during the Risk Assessment and information given at the time of the survey.
 Some areas of pipe work may not have been visible during the survey therefore some assumptions may have been made in order to create this drawing.
 This drawing is not to scale.

Freeston Water Treatment
 Unit 1
 Lutworth Business Centre
 Calmore Industrial Estate
 Totton Southampton
 SO40 3WW
 Tel 02380669713

Site Ref
 Woolston Community Centre
 Pre-School

Date 21st January 2015
 Drawing No.2

