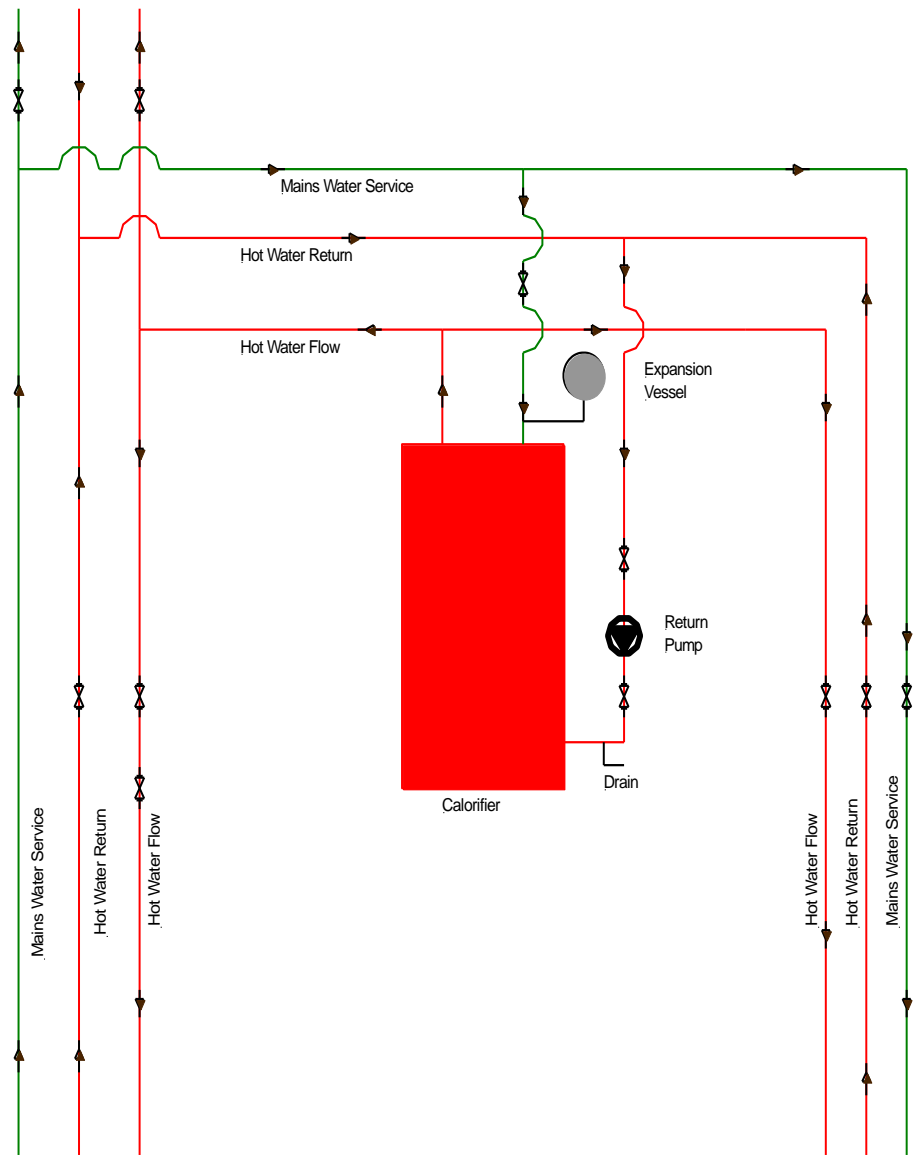


Clovelly Sure Start Centre

Water System Drawings

8th March 2017



KEY

-  Ball A Fix Valve
-  bf
-  Check Valve
-  Laboratory Tap
-  Blender Valve
-  Pump
-  Isolating Valve
-  Safety Valve
-  Drinking Fountain
-  Shower
-  Mains Water Service
-  Cold Water Down Service
-  Hot Flow/Return

Note

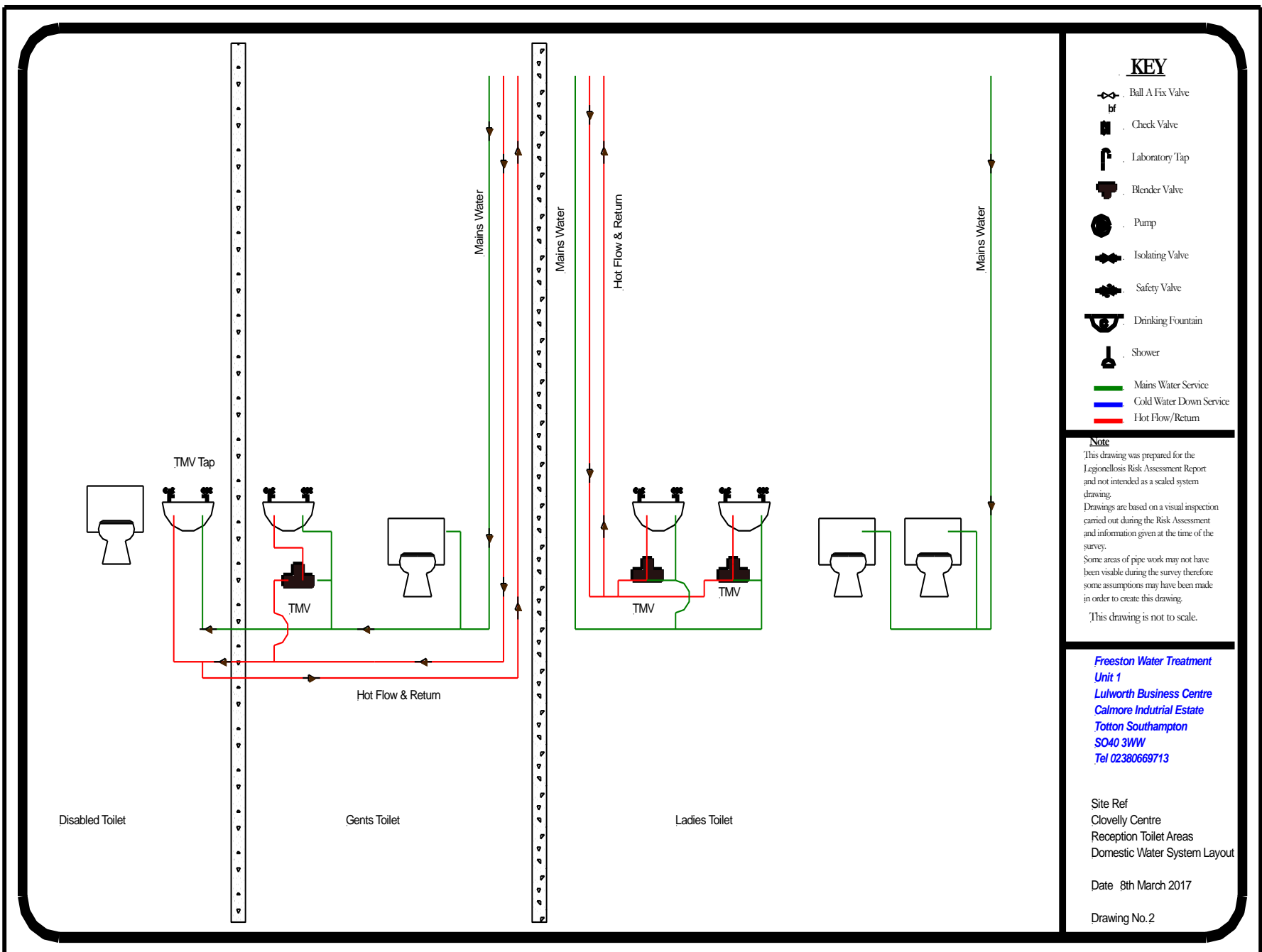
This drawing was prepared for the Legionellosis Risk Assessment Report and not intended as a scaled system drawing. Drawings are based on a visual inspection carried out during the Risk Assessment and information given at the time of the survey. Some areas of pipe work may not have been visible during the survey therefore some assumptions may have been made in order to create this drawing. This drawing is not to scale.

*Freeston Water Treatment
Unit 1
Lulworth Business Centre
Calmore Industrial Estate
Totton Southampton
SO40 3WW
Tel 02380669713*

Site Ref
Clovelly Centre
First Floor Plant Room
Domestic Water System

Date 8th March 2017

Drawing No.1



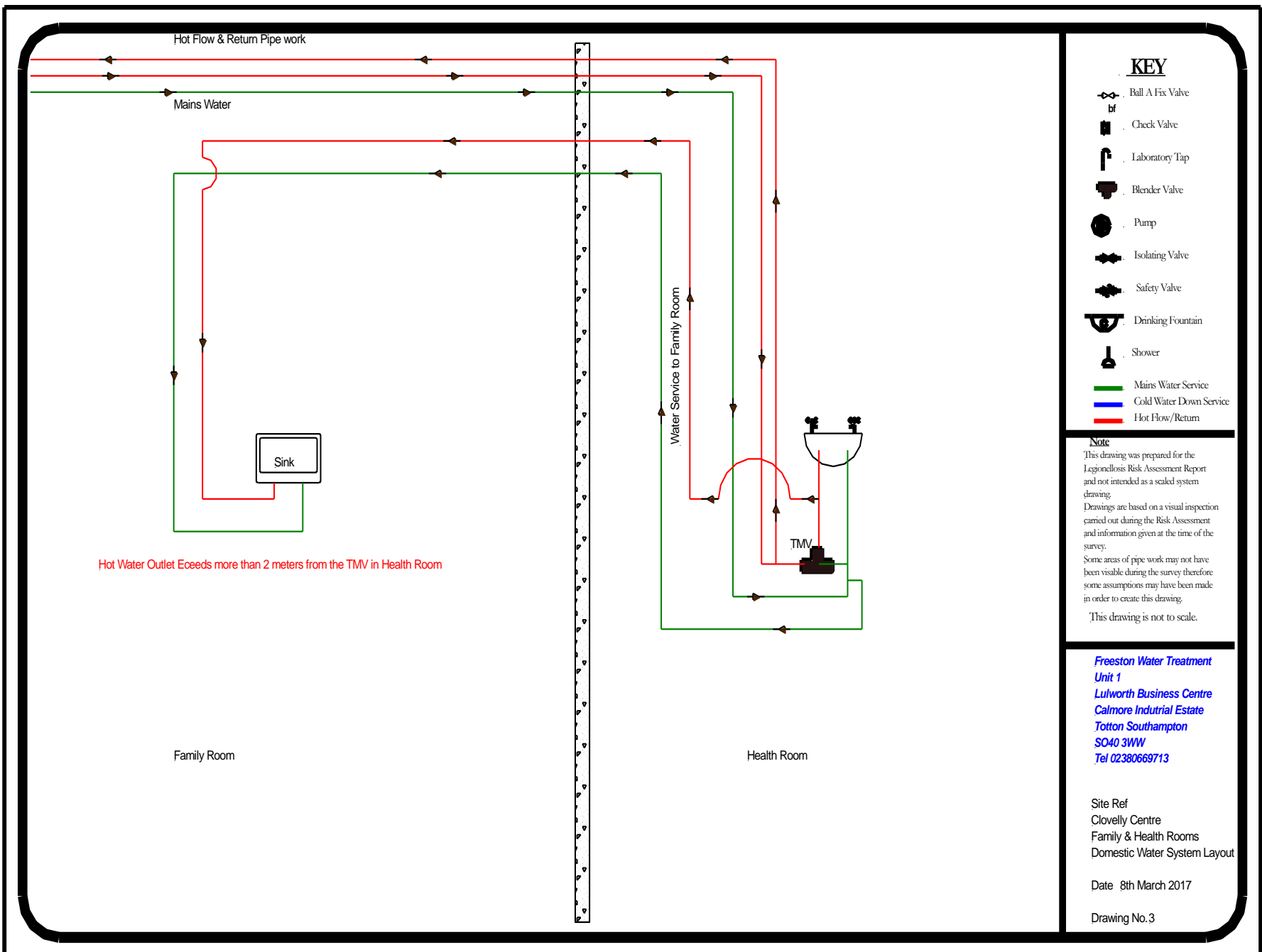
Note
 This drawing was prepared for the Legionellosis Risk Assessment Report and not intended as a scaled system drawing. Drawings are based on a visual inspection carried out during the Risk Assessment and information given at the time of the survey. Some areas of pipe work may not have been visible during the survey therefore some assumptions may have been made in order to create this drawing. This drawing is not to scale.

*Freeston Water Treatment
 Unit 1
 Lulworth Business Centre
 Calmore Industrial Estate
 Totton Southampton
 SO40 3WW
 Tel 02380669713*

Site Ref
 Clovelly Centre
 Reception Toilet Areas
 Domestic Water System Layout

Date 8th March 2017

Drawing No.2



Hot Water Outlet Exceeds more than 2 meters from the TMV in Health Room

KEY

-  Ball A Fix Valve
-  Check Valve
-  Laboratory Tap
-  Blender Valve
-  Pump
-  Isolating Valve
-  Safety Valve
-  Drinking Fountain
-  Shower
-  Mains Water Service
-  Cold Water Down Service
-  Hot Flow/Return

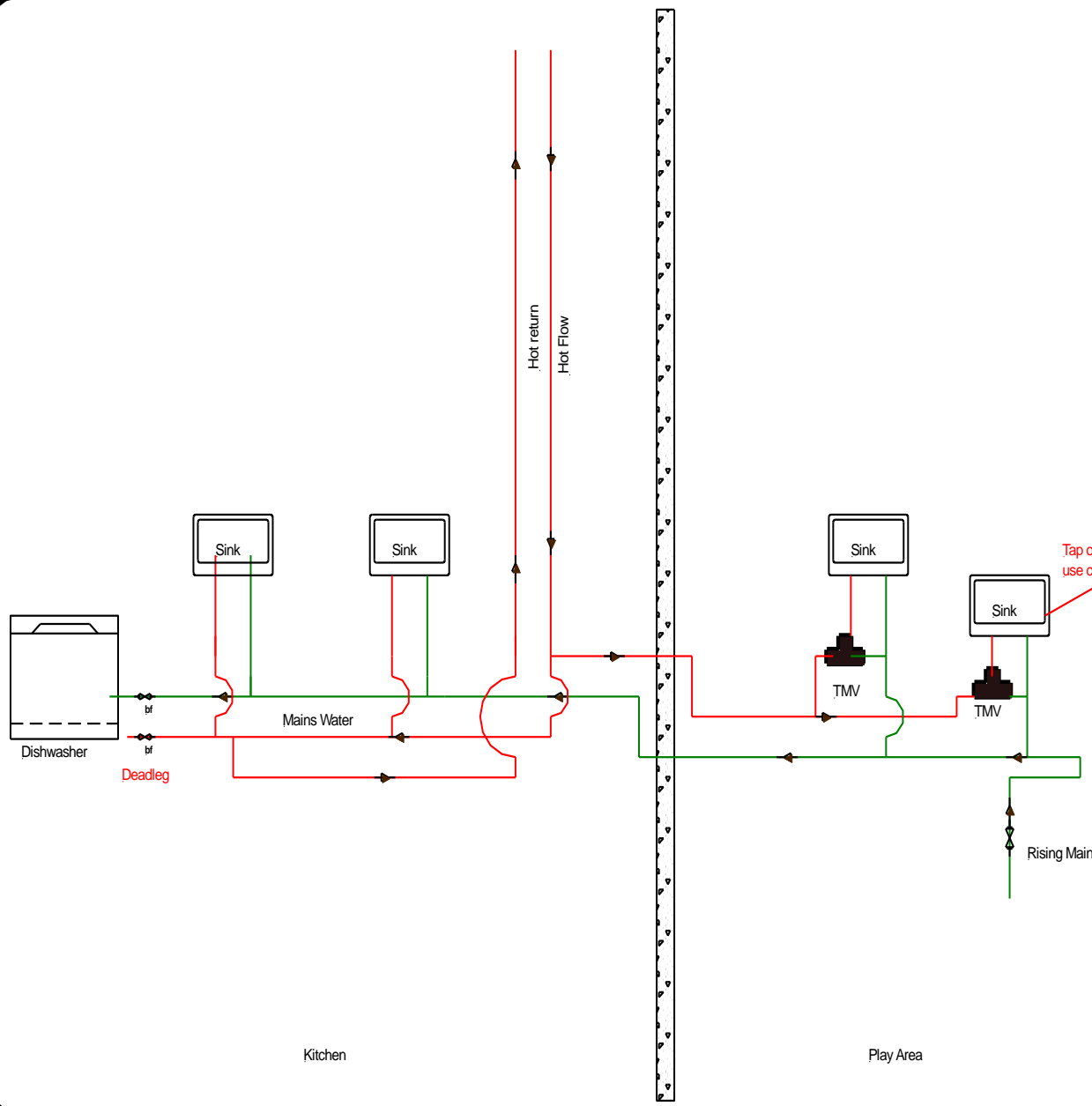
Note
 This drawing was prepared for the Legionellosis Risk Assessment Report and not intended as a scaled system drawing. Drawings are based on a visual inspection carried out during the Risk Assessment and information given at the time of the survey. Some areas of pipe work may not have been visible during the survey therefore some assumptions may have been made in order to create this drawing. This drawing is not to scale.

*Freeston Water Treatment
 Unit 1
 Lulworth Business Centre
 Calmore Industrial Estate
 Totton Southampton
 SO40 3WW
 Tel 02380669713*

Site Ref
 Clovelly Centre
 Family & Health Rooms
 Domestic Water System Layout

Date 8th March 2017

Drawing No.3



KEY

- Ball A Fix Valve
- Check Valve
- Laboratory Tap
- Blender Valve
- Pump
- Isolating Valve
- Safety Valve
- Drinking Fountain
- Shower
- Mains Water Service
- Cold Water Down Service
- Hot Flow/Return

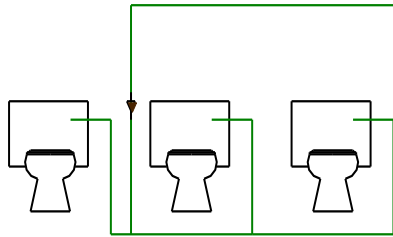
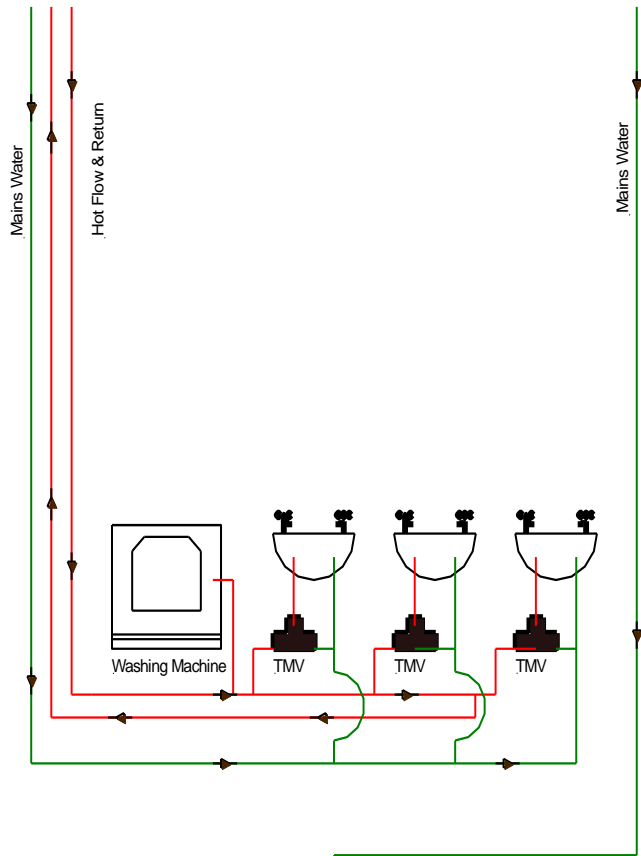
Note
 This drawing was prepared for the Legionellosis Risk Assessment Report and not intended as a scaled system drawing.
 Drawings are based on a visual inspection carried out during the Risk Assessment and information given at the time of the survey.
 Some areas of pipe work may not have been visible during the survey therefore some assumptions may have been made in order to create this drawing.
 This drawing is not to scale.

Tap outlets tapped up to prevent use created deadleg pipe work

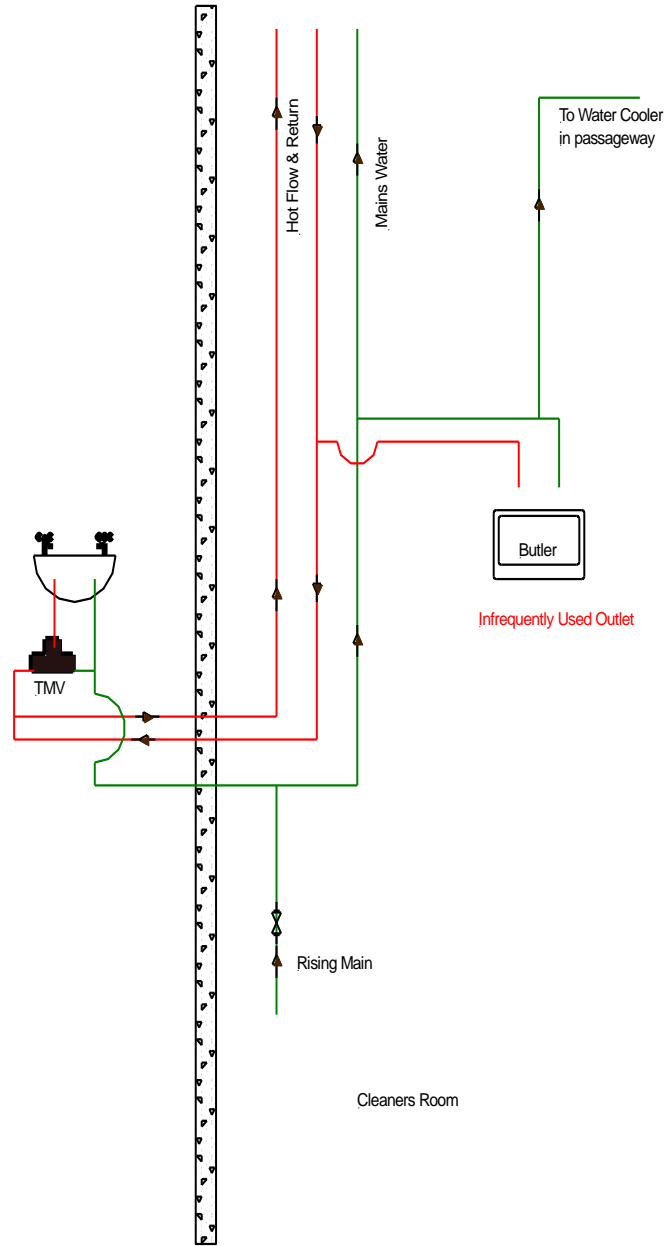
*Freeston Water Treatment Unit 1
 Lulworth Business Centre
 Calmore Industrial Estate
 Totton Southampton
 SO40 3WW
 Tel 02380669713*

Site Ref
 Clovelly Centre
 Surestart Creche
 Kitchen & Play Area
 Domestic Water System Layout
 Date 8th March 2017

Drawing No.4



Surestart Creche Toilet



Cleaners Room

KEY

- Ball A Fix Valve
- bf
- Check Valve
- Laboratory Tap
- Blender Valve
- Pump
- Isolating Valve
- Safety Valve
- Drinking Fountain
- Shower
- Mains Water Service
- Cold Water Down Service
- Hot Flow/Return

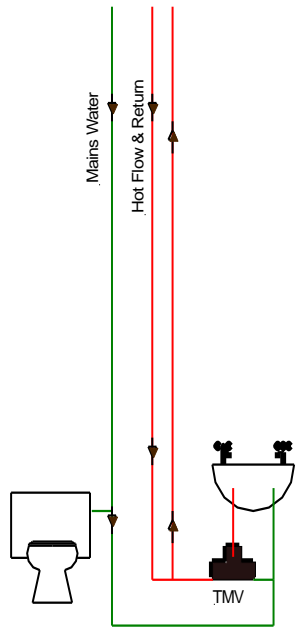
Note

This drawing was prepared for the Legionellosis Risk Assessment Report and not intended as a scaled system drawing. Drawings are based on a visual inspection carried out during the Risk Assessment and information given at the time of the survey. Some areas of pipe work may not have been visible during the survey therefore some assumptions may have been made in order to create this drawing. This drawing is not to scale.

*Freeston Water Treatment
Unit 1
Lulworth Business Centre
Calmore Industrial Estate
Totton Southampton
SO40 3WW
Tel 02380669713*

Site Ref
Clovelly Centre
Surestart Toilet
Cleaners Room
Domestic Water System Layout
Date 8th March 2017

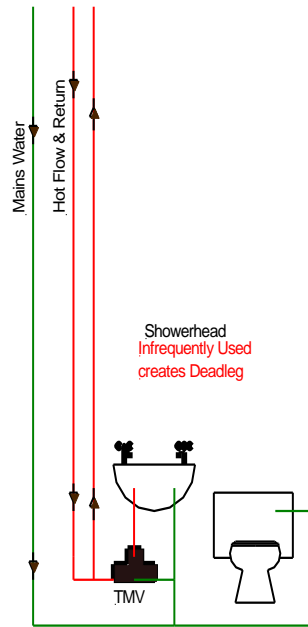
Drawing No.5



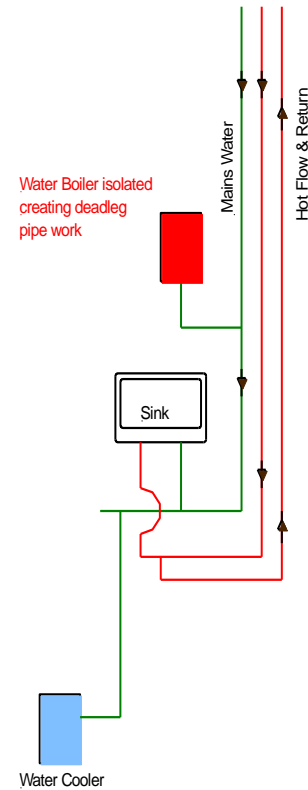
Accessible Toilet

I was informed the water tank and all associated pipe work has been removed; I was unable to access this cupboard space as no key was available at the time of this 2017 review.

Cupboard Space



Staff Toilet



Kitchen

KEY

- Ball A Fix Valve
- bf
- Check Valve
- Laboratory Tap
- Blender Valve
- Pump
- Isolating Valve
- Safety Valve
- Drinking Fountain
- Shower
- Mains Water Service
- Cold Water Down Service
- Hot Flow/Return

Note
 This drawing was prepared for the Legionellosis Risk Assessment Report and not intended as a scaled system drawing. Drawings are based on a visual inspection carried out during the Risk Assessment and information given at the time of the survey. Some areas of pipe work may not have been visible during the survey therefore some assumptions may have been made in order to create this drawing. This drawing is not to scale.

*Freeston Water Treatment
 Unit 1
 Lulworth Business Centre
 Calmore Industrial Estate
 Totton Southampton
 SO40 3WW
 Tel 02380669713*

Site Ref
 Clovelly Centre
 First Floor
 Domestic Water System Layout

Date 8th March 2017

Drawing No.6