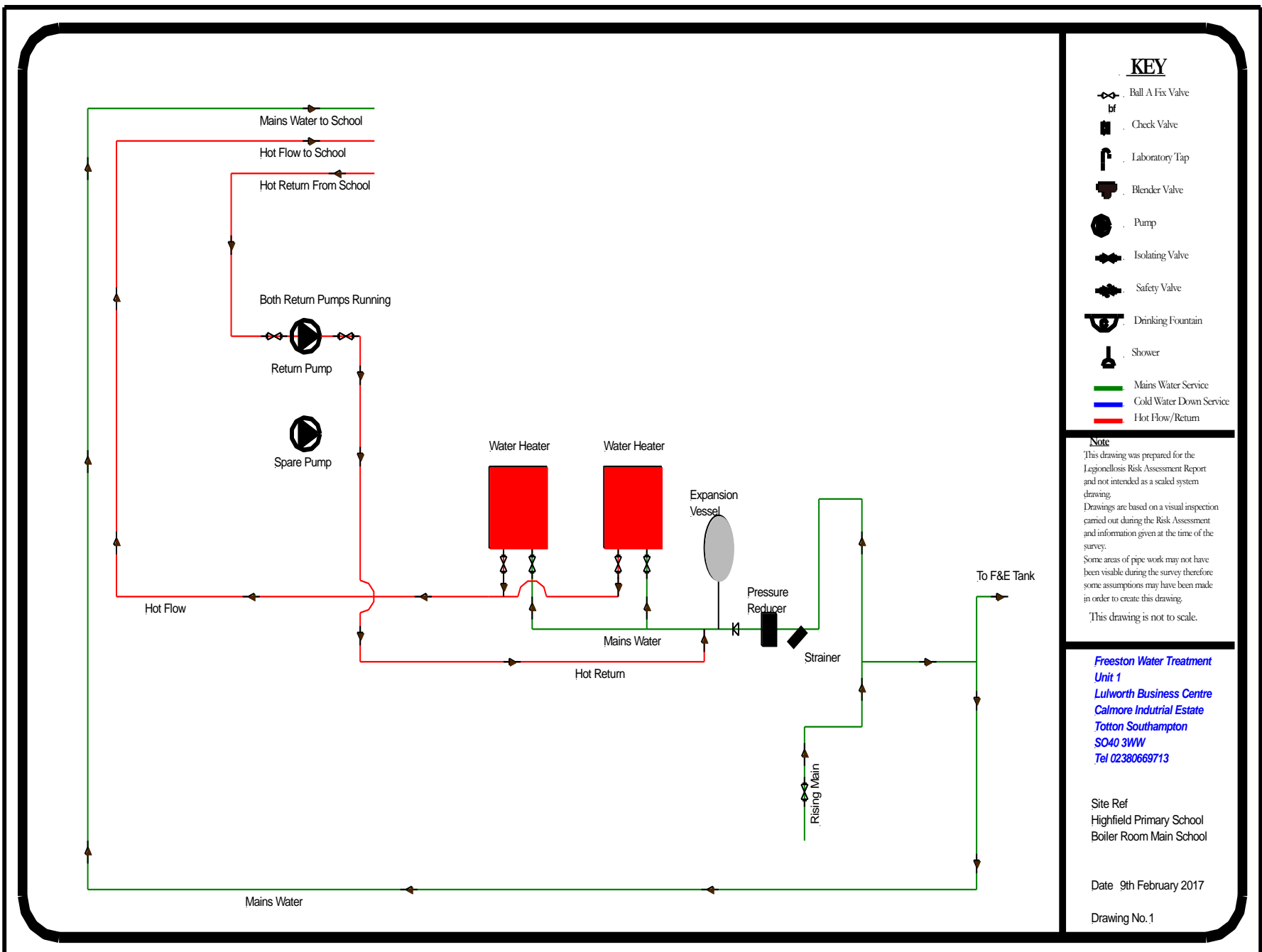


**Highfield C of E Primary  
Main School**

**Water System Drawings**

**9<sup>th</sup> February 2017**



**KEY**

- Ball A Fix Valve
- bf
- Check Valve
- Laboratory Tap
- Blender Valve
- Pump
- Isolating Valve
- Safety Valve
- Drinking Fountain
- Shower
- Mains Water Service
- Cold Water Down Service
- Hot Flow/Return

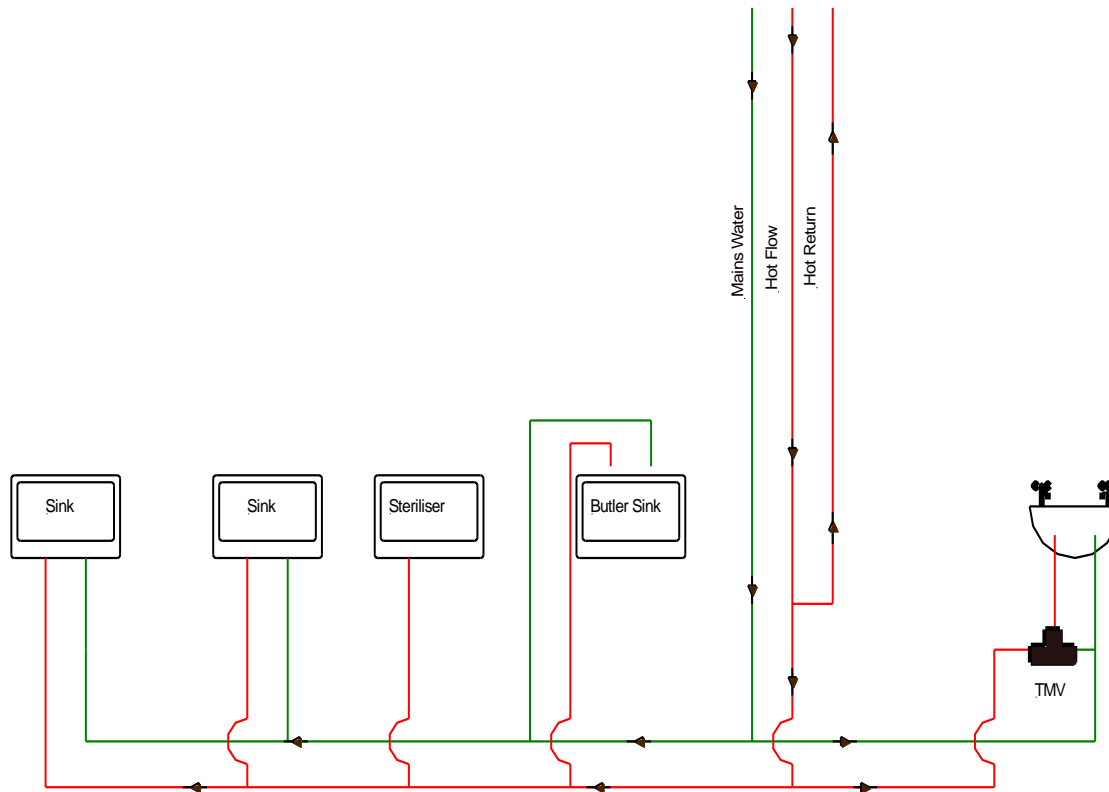
**Note**  
 This drawing was prepared for the Legionellosis Risk Assessment Report and not intended as a scaled system drawing. Drawings are based on a visual inspection carried out during the Risk Assessment and information given at the time of the survey. Some areas of pipe work may not have been visible during the survey therefore some assumptions may have been made in order to create this drawing. This drawing is not to scale.

*Freeston Water Treatment  
 Unit 1  
 Lulworth Business Centre  
 Calmore Industrial Estate  
 Totton Southampton  
 SO40 3WW  
 Tel 02380669713*

Site Ref  
 Highfield Primary School  
 Boiler Room Main School

Date 9th February 2017

Drawing No.1



### KEY

- Ball A Fix Valve
- bf
- Check Valve
- Laboratory Tap
- Blender Valve
- Pump
- Isolating Valve
- Safety Valve
- Drinking Fountain
- Shower
- Mains Water Service
- Cold Water Down Service
- Hot Flow/Return

### Note

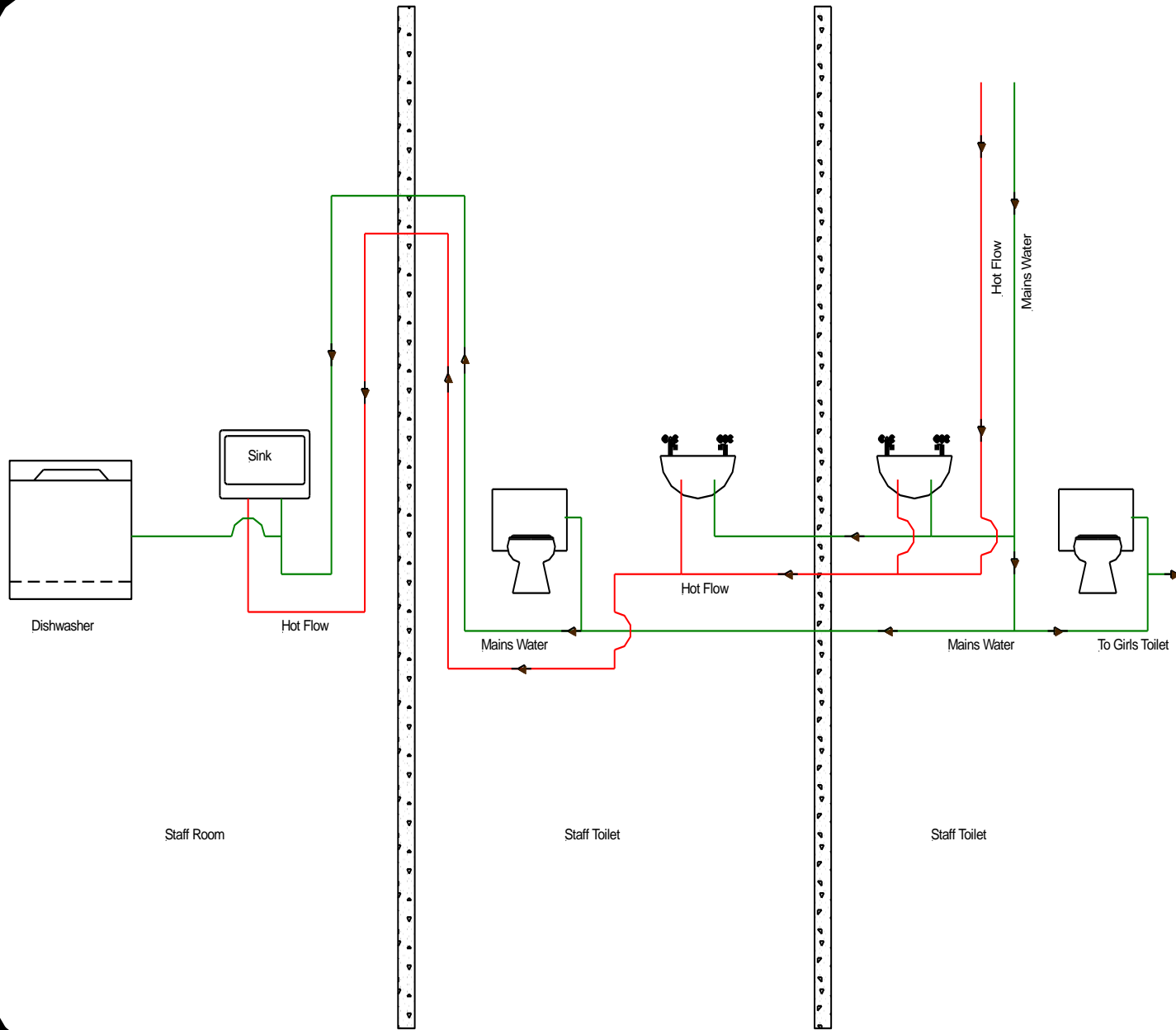
This drawing was prepared for the Legionellosis Risk Assessment Report and not intended as a scaled system drawing. Drawings are based on a visual inspection carried out during the Risk Assessment and information given at the time of the survey. Some areas of pipe work may not have been visible during the survey therefore some assumptions may have been made in order to create this drawing. This drawing is not to scale.

*Freeston Water Treatment  
Unit 1  
Lulworth Business Centre  
Calmore Industrial Estate  
Totton Southampton  
SO40 3WW  
Tel 02380669713*

Site Ref  
Highfield Primary School  
Main School Kitchen

Date 9th February 2017

Drawing No.2



### KEY

-  Ball A Fix Valve
-  bf
-  Check Valve
-  Laboratory Tap
-  Blender Valve
-  Pump
-  Isolating Valve
-  Safety Valve
-  Drinking Fountain
-  Shower
-  Mains Water Service
-  Cold Water Down Service
-  Hot Flow/Return

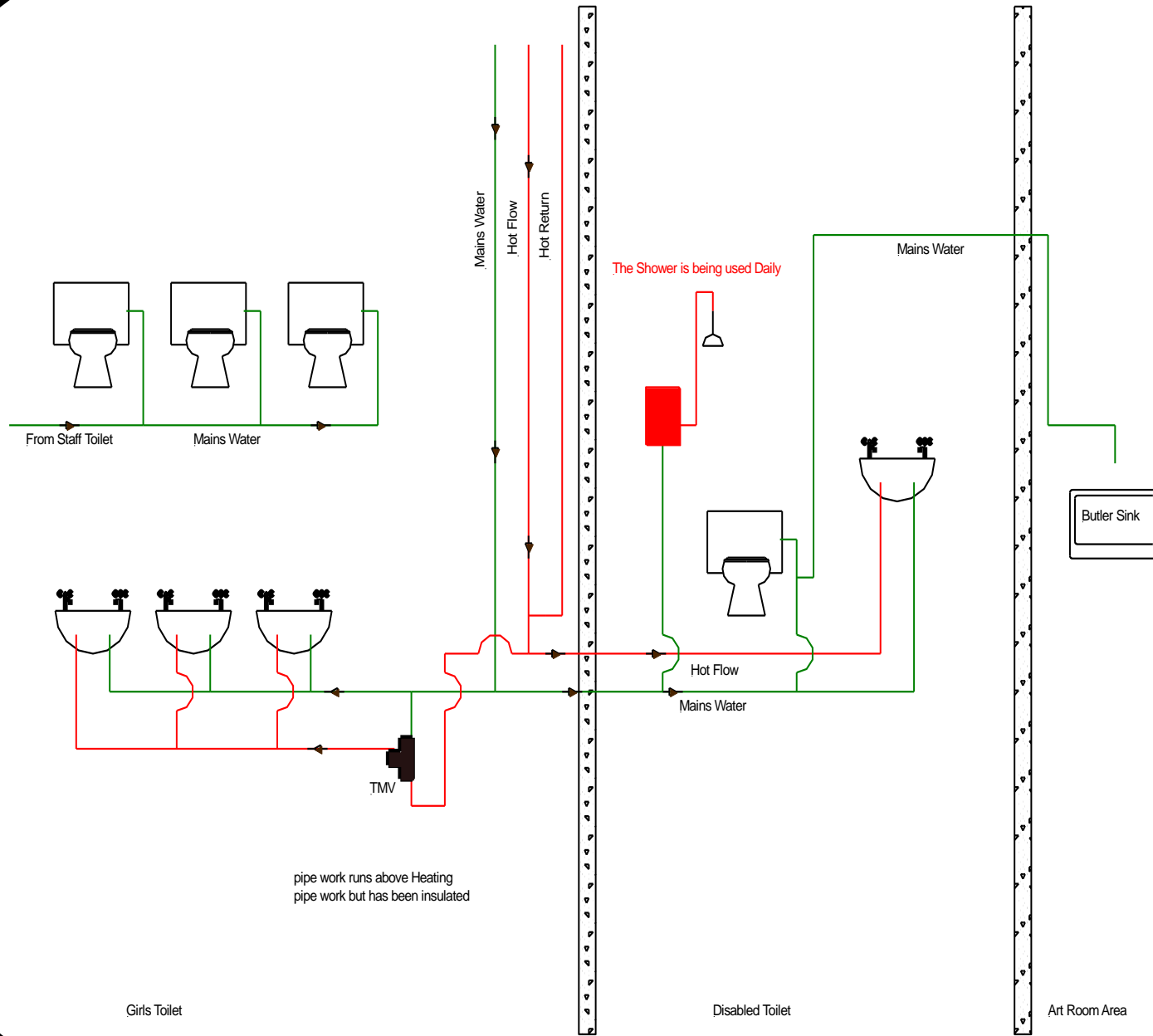
**Note**  
 This drawing was prepared for the Legionellosis Risk Assessment Report and not intended as a scaled system drawing.  
 Drawings are based on a visual inspection carried out during the Risk Assessment and information given at the time of the survey.  
 Some areas of pipe work may not have been visible during the survey therefore some assumptions may have been made in order to create this drawing.  
 This drawing is not to scale.

*Freeston Water Treatment  
 Unit 1  
 Lulworth Business Centre  
 Calmore Industrial Estate  
 Totton Southampton  
 SO40 3WW  
 Tel 02380669713*

Site Ref  
 Highfield Primary School  
 Main School Staff Room  
 Staff Toilets

Date 9th February 2017

Drawing No.3



**KEY**

- Ball A Fix Valve
- bf
- Check Valve
- Laboratory Tap
- Blender Valve
- Pump
- Isolating Valve
- Safety Valve
- Drinking Fountain
- Shower
- Mains Water Service
- Cold Water Down Service
- Hot Flow/Return

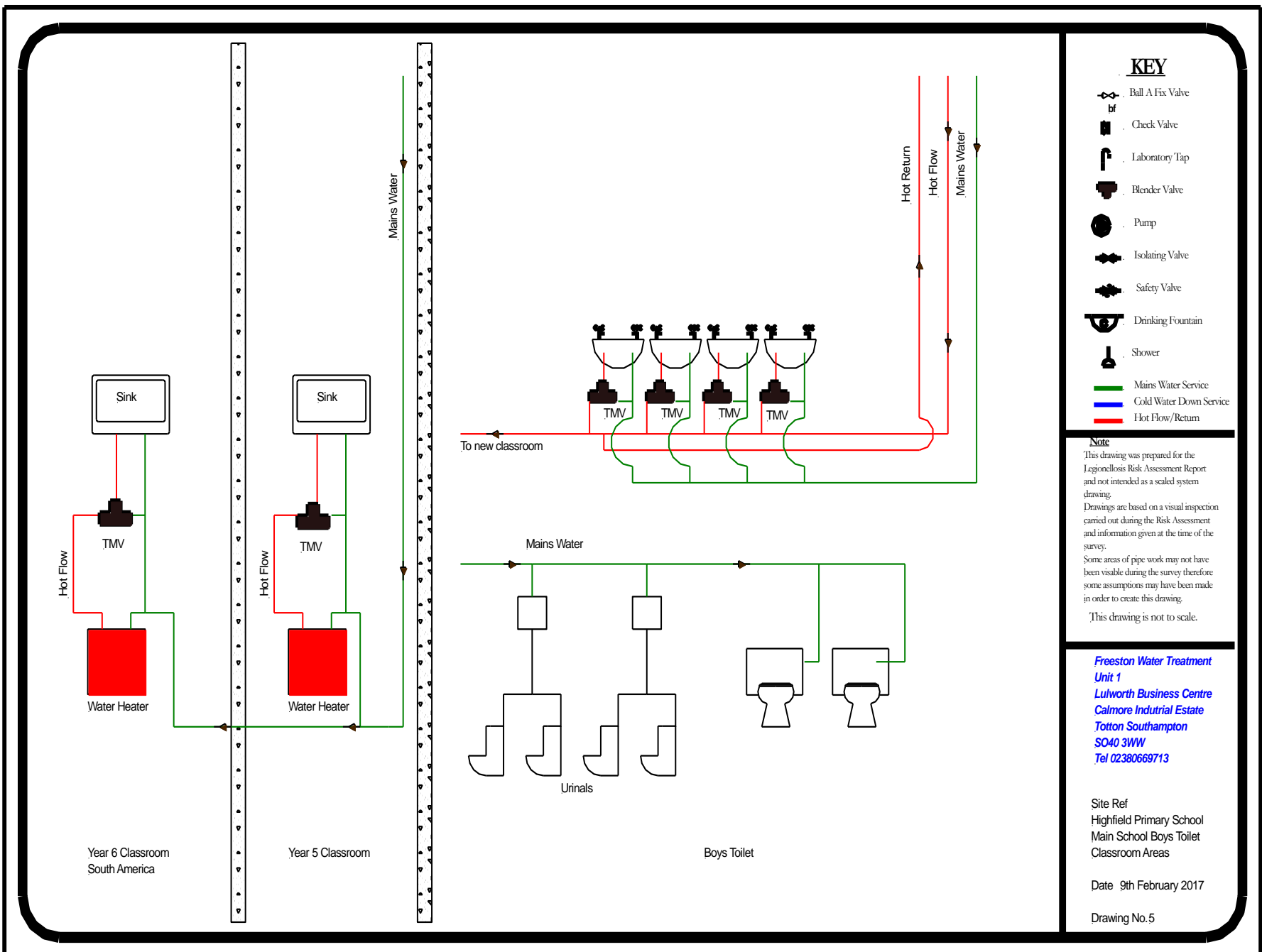
**Note**

This drawing was prepared for the Legionellosis Risk Assessment Report and not intended as a scaled system drawing. Drawings are based on a visual inspection carried out during the Risk Assessment and information given at the time of the survey. Some areas of pipe work may not have been visible during the survey therefore some assumptions may have been made in order to create this drawing. This drawing is not to scale.

*Freeston Water Treatment  
Unit 1  
Lulworth Business Centre  
Calmore Industrial Estate  
Totton Southampton  
SO40 3WW  
Tel 02380669713*

Site Ref  
Highfield Primary School  
Main School Girls Toilet  
Disabled Toilet  
Art Area  
Date 9th February 2017

Drawing No.4



**KEY**

- Ball A Fix Valve
- Check Valve
- Laboratory Tap
- Blender Valve
- Pump
- Isolating Valve
- Safety Valve
- Drinking Fountain
- Shower
- Mains Water Service
- Cold Water Down Service
- Hot Flow/Return

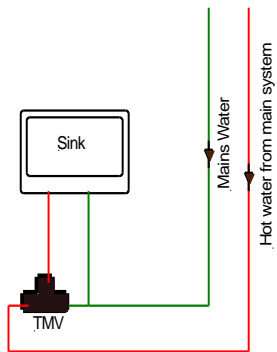
**Note**  
 This drawing was prepared for the Legionellosis Risk Assessment Report and not intended as a scaled system drawing. Drawings are based on a visual inspection carried out during the Risk Assessment and information given at the time of the survey. Some areas of pipe work may not have been visible during the survey therefore some assumptions may have been made in order to create this drawing. This drawing is not to scale.

*Freeston Water Treatment  
 Unit 1  
 Lulworth Business Centre  
 Calmore Industrial Estate  
 Totton Southampton  
 SO40 3WW  
 Tel 02380669713*

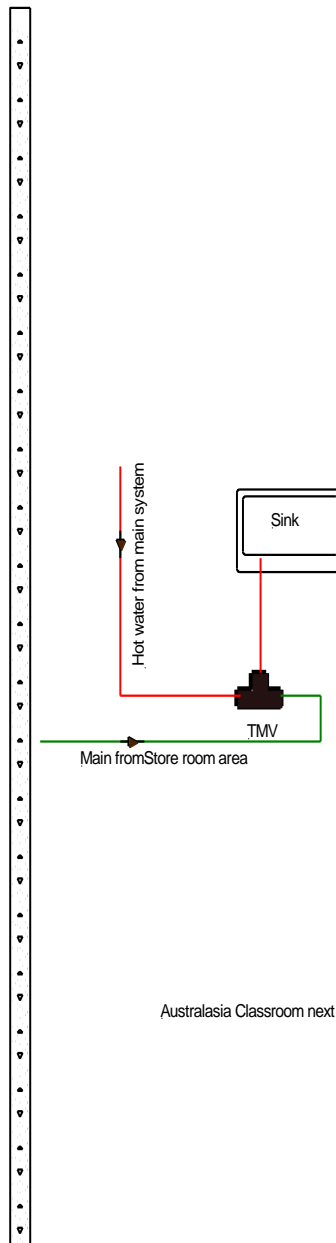
Site Ref  
 Highfield Primary School  
 Main School Boys Toilet  
 Classroom Areas

Date 9th February 2017

Drawing No.5



New Year 5 Classroom  
Asia



Australasia Classroom next to year 4 Europe Classroom

## KEY

-  Ball A Fix Valve
-  Check Valve
-  Laboratory Tap
-  Blender Valve
-  Pump
-  Isolating Valve
-  Safety Valve
-  Drinking Fountain
-  Shower
-  Mains Water Service
-  Cold Water Down Service
-  Hot Flow/Return

## Note

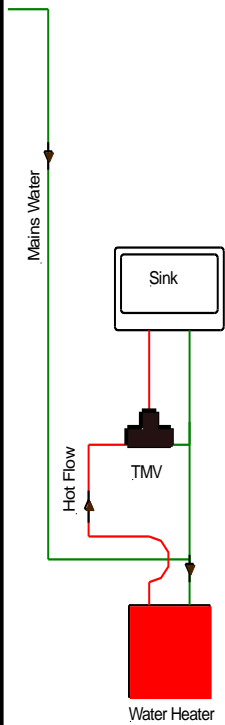
This drawing was prepared for the Legionellosis Risk Assessment Report and not intended as a scaled system drawing.  
Drawings are based on a visual inspection carried out during the Risk Assessment and information given at the time of the survey.  
Some areas of pipe work may not have been visible during the survey therefore some assumptions may have been made in order to create this drawing.  
This drawing is not to scale.

**Freeston Water Treatment  
Unit 1  
Lulworth Business Centre  
Calmore Industrial Estate  
Totton Southampton  
SO40 3WW  
Tel 02380669713**

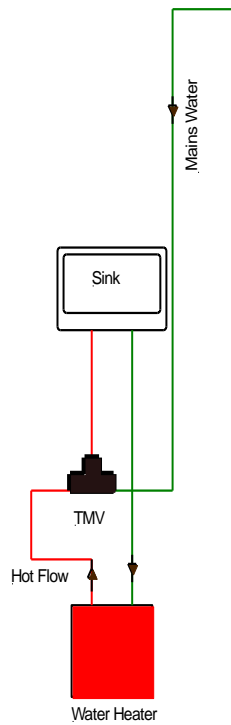
Site Ref  
Highfield Primary School  
Main School  
Classroom Areas

Date 9th February 2017

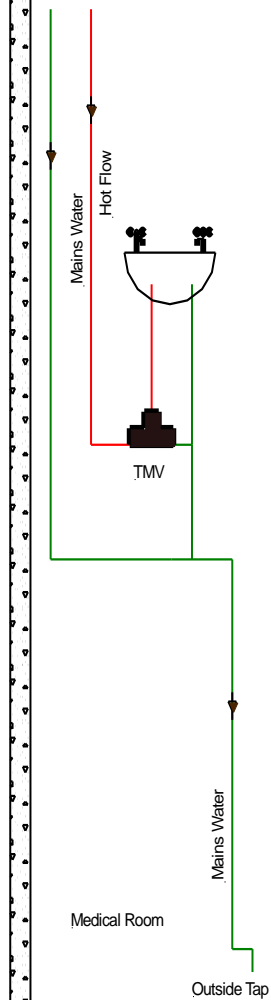
Drawing No.5A



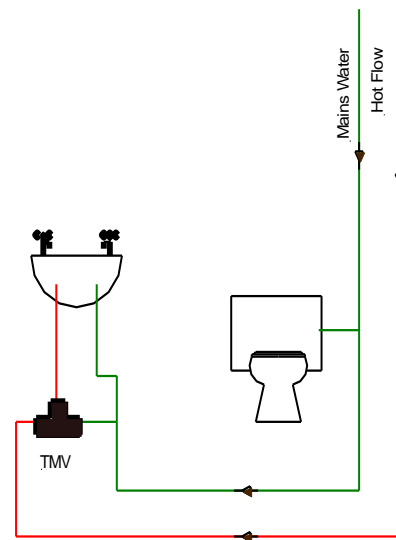
Year 4 Classroom  
Europe



Year 3 Classroom  
Africa









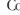


Medical Room



Reception Toilet

### KEY

-  Ball A Fix Valve
-  bf
-  Check Valve
-  Laboratory Tap
-  Blender Valve
-  Pump
-  Isolating Valve
-  Safety Valve
-  Drinking Fountain
-  Shower
-  Mains Water Service
-  Cold Water Down Service
-  Hot Flow/Return

### Note

This drawing was prepared for the Legionellosis Risk Assessment Report and not intended as a scaled system drawing. Drawings are based on a visual inspection carried out during the Risk Assessment and information given at the time of the survey. Some areas of pipe work may not have been visible during the survey therefore some assumptions may have been made in order to create this drawing. This drawing is not to scale.

*Freeston Water Treatment  
Unit 1  
Lulworth Business Centre  
Calmore Industrial Estate  
Totton Southampton  
SO40 3WW  
Tel 02380669713*

Site Ref  
Highfield Primary School  
Classroom Areas  
Medical Room  
Reception Toilet  
Date 9th February 2017

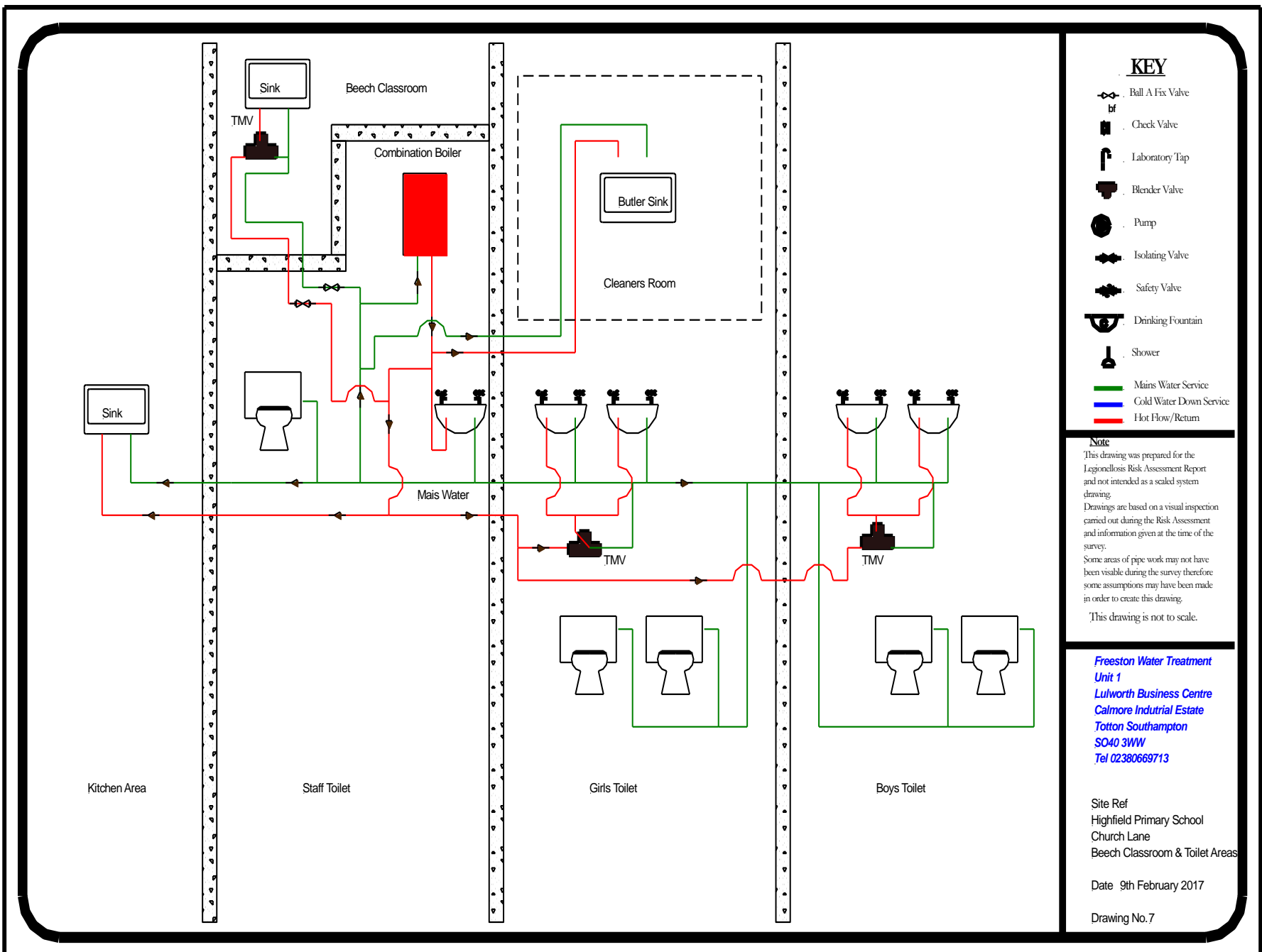
Drawing No.6



**Highfield C of E Primary  
Church Lane School**

**Water System Drawings**

**9<sup>th</sup> February 2017**



**KEY**

-  Ball A Fix Valve
-  bf
-  Check Valve
-  Laboratory Tap
-  Blender Valve
-  Pump
-  Isolating Valve
-  Safety Valve
-  Drinking Fountain
-  Shower
-  Mains Water Service
-  Cold Water Down Service
-  Hot Flow/Return

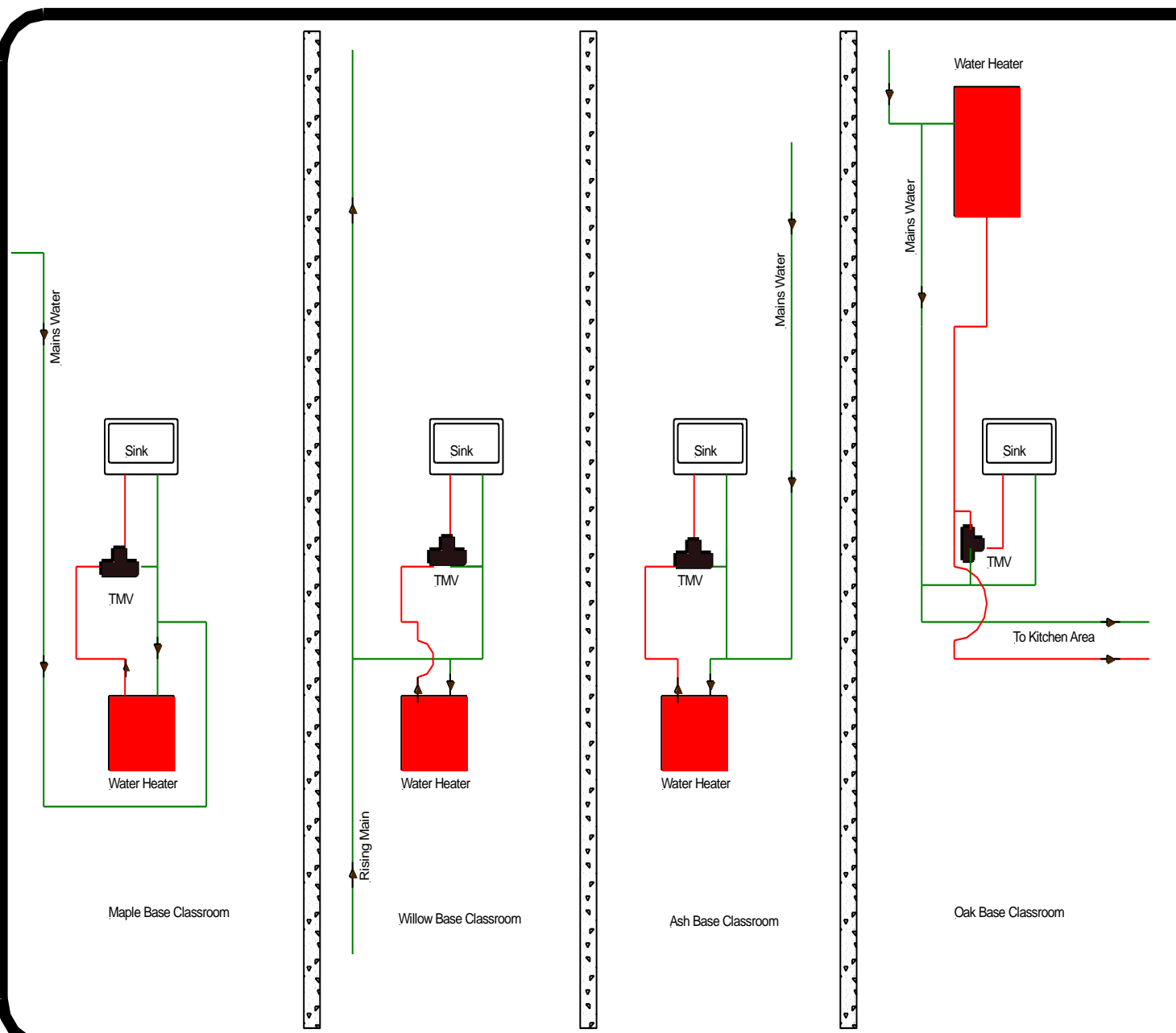
**Note**  
 This drawing was prepared for the Legionellosis Risk Assessment Report and not intended as a scaled system drawing. Drawings are based on a visual inspection carried out during the Risk Assessment and information given at the time of the survey. Some areas of pipe work may not have been visible during the survey therefore some assumptions may have been made in order to create this drawing. This drawing is not to scale.

*Freeston Water Treatment  
 Unit 1  
 Lulworth Business Centre  
 Calmore Industrial Estate  
 Totton Southampton  
 SO40 3WW  
 Tel 02380669713*

Site Ref  
 Highfield Primary School  
 Church Lane  
 Beech Classroom & Toilet Areas

Date 9th February 2017

Drawing No.7



**KEY**

- Ball A Fix Valve
- bf
- Check Valve
- Laboratory Tap
- Blender Valve
- Pump
- Isolating Valve
- Safety Valve
- Drinking Fountain
- Shower
- Mains Water Service
- Cold Water Down Service
- Hot Flow/Return

**Note**

This drawing was prepared for the Legionellosis Risk Assessment Report and not intended as a scaled system drawing. Drawings are based on a visual inspection carried out during the Risk Assessment and information given at the time of the survey.

Some areas of pipe work may not have been visible during the survey therefore some assumptions may have been made in order to create this drawing.

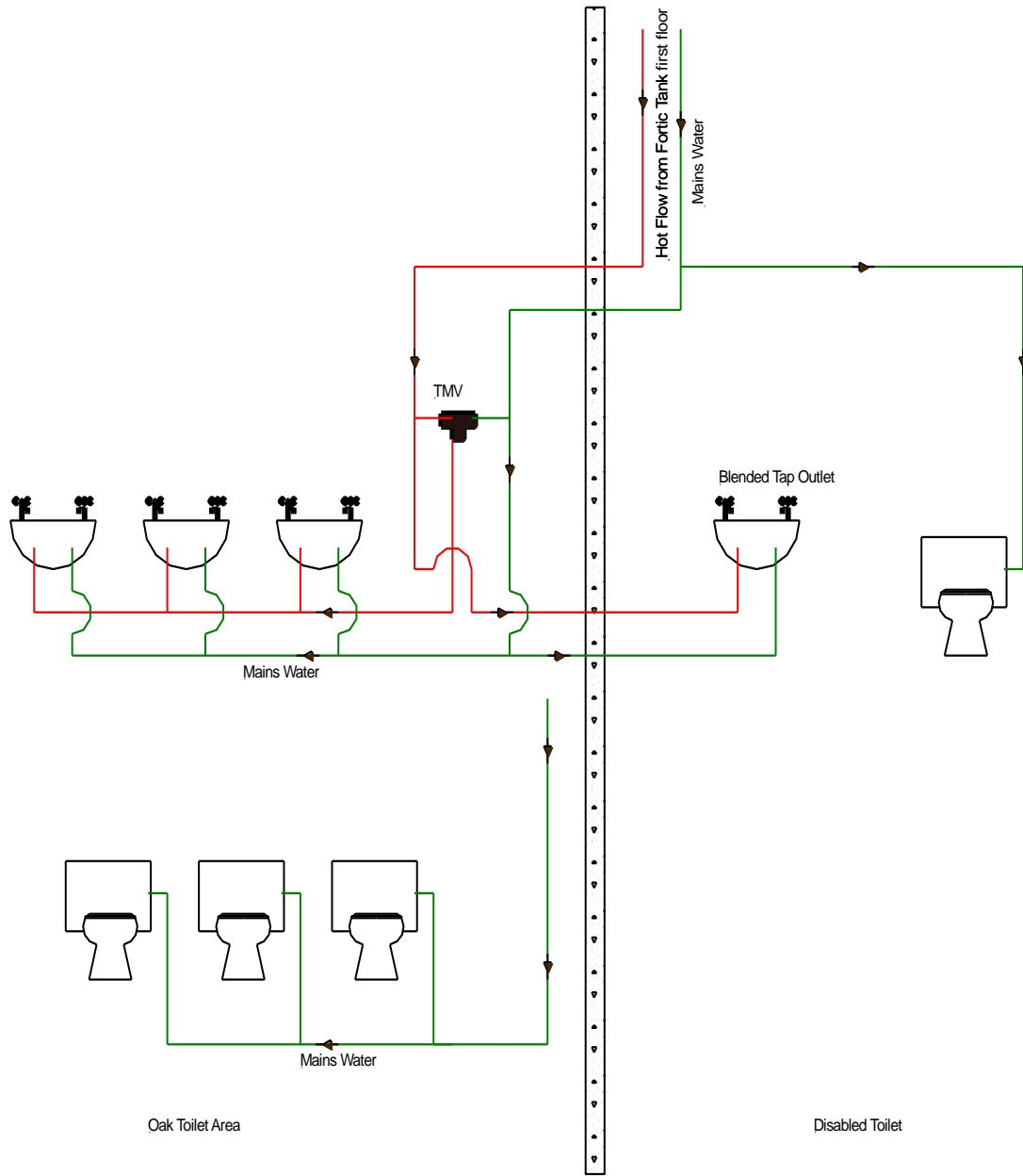
This drawing is not to scale.

*Freeston Water Treatment  
Unit 1  
Lulworth Business Centre  
Calmore Industrial Estate  
Totton Southampton  
SO40 3WW  
Tel 02380669713*

Site Ref  
Highfield Primary School  
Church Lane  
Classroom Areas

Date 9th February 2017

Drawing No.8



### KEY

-  Ball A Fix Valve
-  bf
-  Check Valve
-  Laboratory Tap
-  Blender Valve
-  Pump
-  Isolating Valve
-  Safety Valve
-  Drinking Fountain
-  Shower
-  Mains Water Service
-  Cold Water Down Service
-  Hot Flow/Return

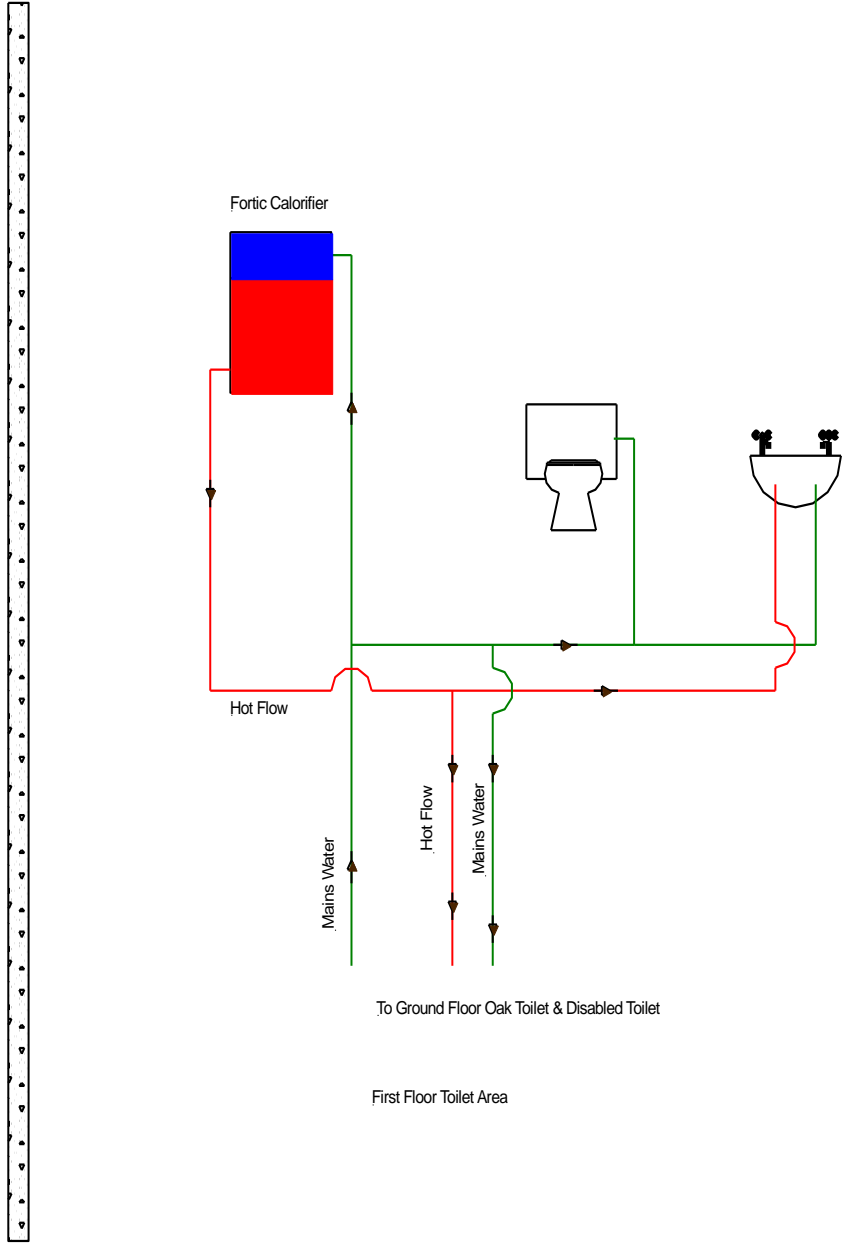
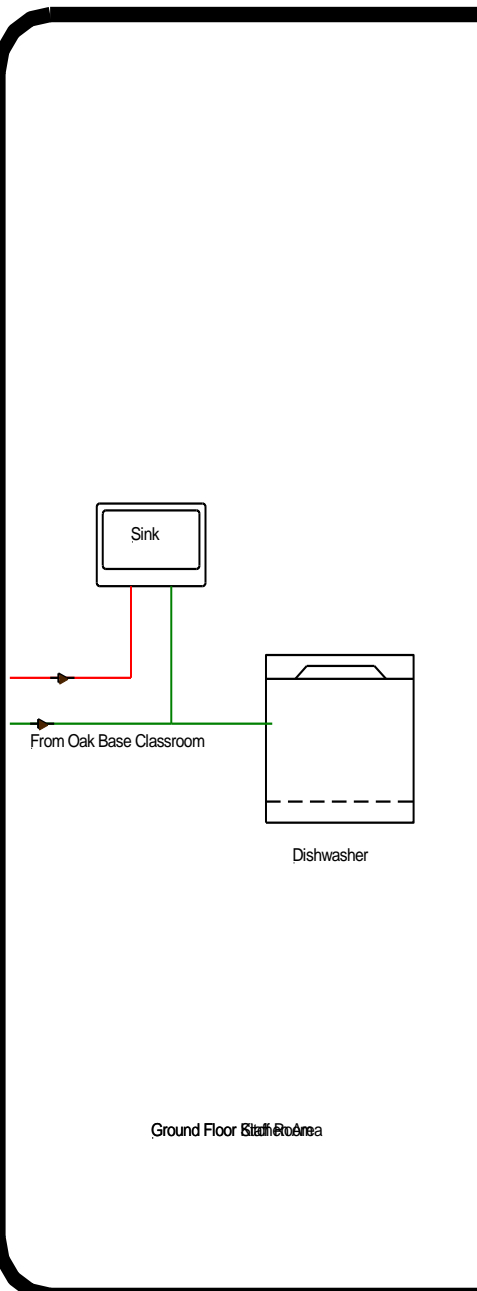
### Note

This drawing was prepared for the Legionellosis Risk Assessment Report and not intended as a scaled system drawing. Drawings are based on a visual inspection carried out during the Risk Assessment and information given at the time of the survey. Some areas of pipe work may not have been visible during the survey therefore some assumptions may have been made in order to create this drawing. This drawing is not to scale.

*Freeston Water Treatment  
Unit 1  
Lulworth Business Centre  
Calmore Industrial Estate  
Totton Southampton  
SO40 3WW  
Tel 02380669713*

Site Ref  
Highfield Primary School  
Church Lane  
Toilet Area  
Disabled Toilet  
Date 9th February 2017

Drawing No.9



**KEY**

- Ball A Fix Valve
- bf
- Check Valve
- Laboratory Tap
- Blender Valve
- Pump
- Isolating Valve
- Safety Valve
- Drinking Fountain
- Shower
- Mains Water Service
- Cold Water Down Service
- Hot Flow/Return

**Note**  
 This drawing was prepared for the Legionellosis Risk Assessment Report and not intended as a scaled system drawing. Drawings are based on a visual inspection carried out during the Risk Assessment and information given at the time of the survey. Some areas of pipe work may not have been visible during the survey therefore some assumptions may have been made in order to create this drawing. This drawing is not to scale.

*Freeston Water Treatment  
 Unit 1  
 Lulworth Business Centre  
 Calmore Industrial Estate  
 Totton Southampton  
 SO40 3WW  
 Tel 02380669713*

Site Ref  
 Highfield Primary School  
 Church Lane  
 Staff Room  
 First Floor Toilet Area  
 Date 9th February 2017

Drawing No.10