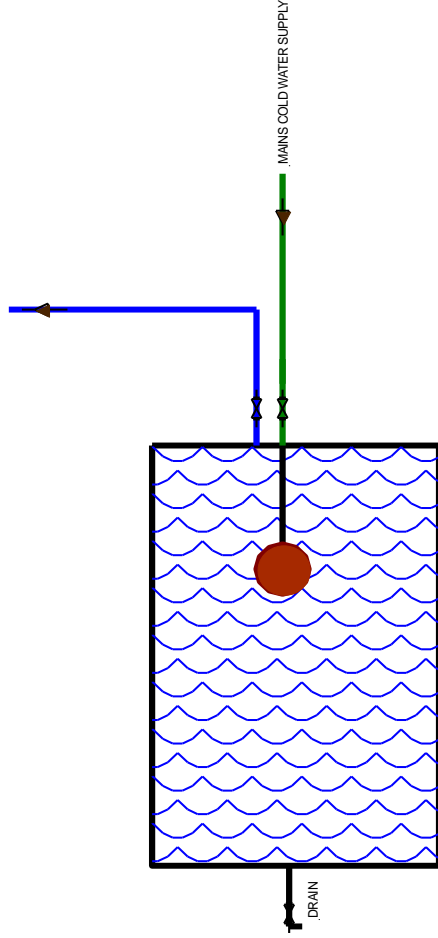


Newlands Primary School

Water System Drawings

26th January 2017

COLD WATER DOWN SERVICES TO CALORIFIERS,
W/BOOSTER PUMPS AND DUPLEX WATER SOFTENER



DOMESTIC COLD WATER STORAGE TANK

PLANT ROOM - FIRST FLOOR

LEGEND

- .WM = Washing Machine
- .WB = Wash Basin
- SK = Sink
- .WC = Toilet
- EWB = Electric Water Boiler
- EPOUWH = Electric Point Of Use Water Heater
- .CWD = Chilled Water Dispenser
- ELWH = Electric Local Water Heater
- .INT TMV/SH = Integrated TMV Shower
- .TMV = Thermostatic Mixing Valve / Blended Valve

- Mains Water
- Down Service
- Hot Water
- Softened Water

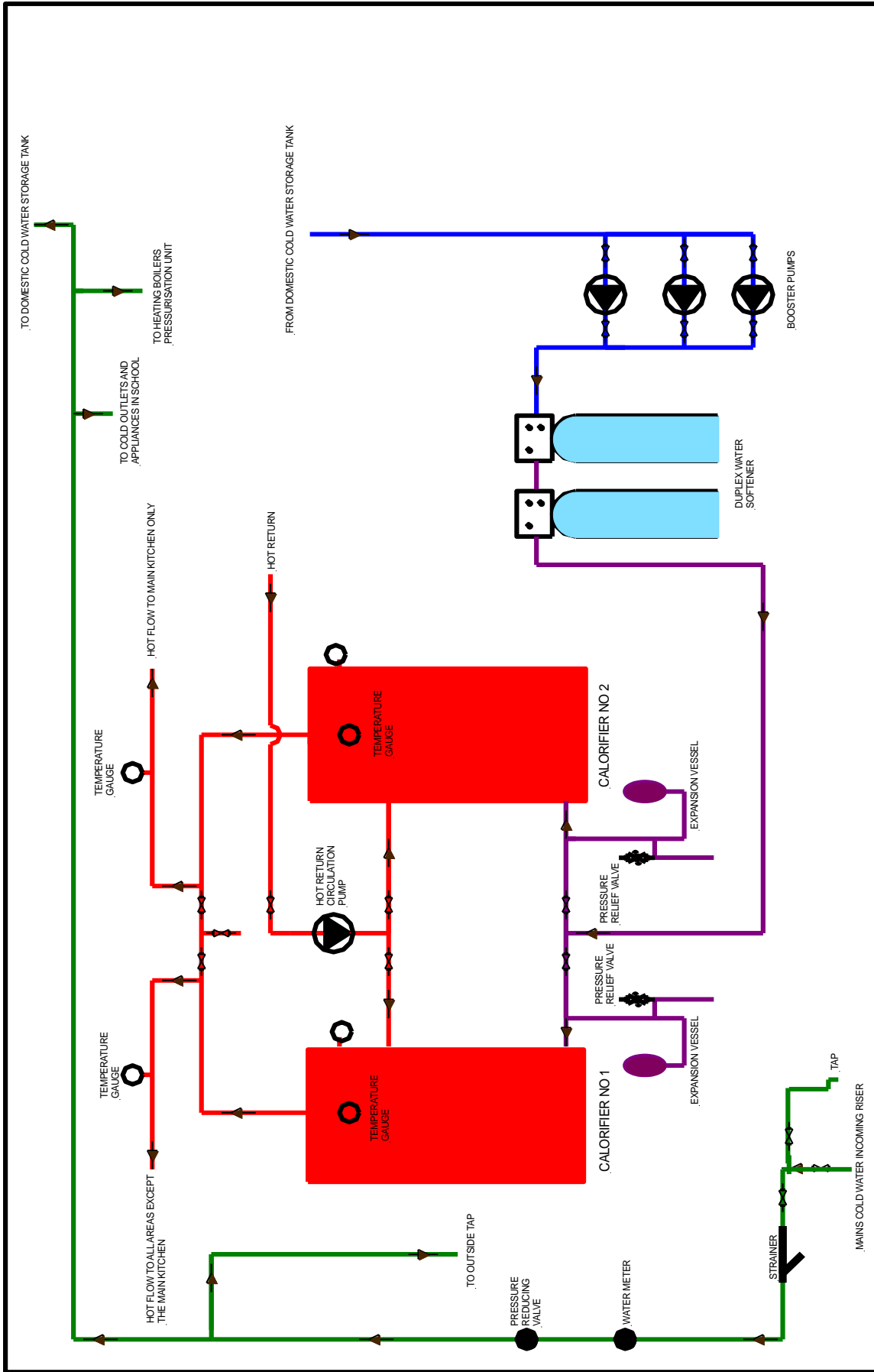
This drawing was prepared for the Legionellosis Risk Assessment Report and not intended as a scaled system drawing. It is advised that any inspection or testing during the Risk Assessment and remediation be undertaken at the time of the survey. Some areas of pipe work may not have been viable during the survey therefore some assumptions may have been made in order to create this drawing.

This drawing is not to scale



Freeston Water Treatment
Luton Business Centre
Calmore Industrial Estate
Totton Southampton
SO40 3WW
Tel 02380 669713

Site Reference / Date
Southampton City Council
Newlands Primary School (New Site)
28th January 2017
.Dwg 1



LEGEND

- .WM = Washing Machine
- .WB = Wash Basin
- .SK = Sink
- .WC = Toilet
- .EWB = Electric Water Boiler
- .EPOUWH = Electric Point Of Use Water Heater
- .CWD = Chilled Water Dispenser
- .ELWH = Electric Local Water Heater
- .INT TMV SH = Integrated TMV Shower
- .TMV = Thermostatic Mixing Valve / Blender Valve

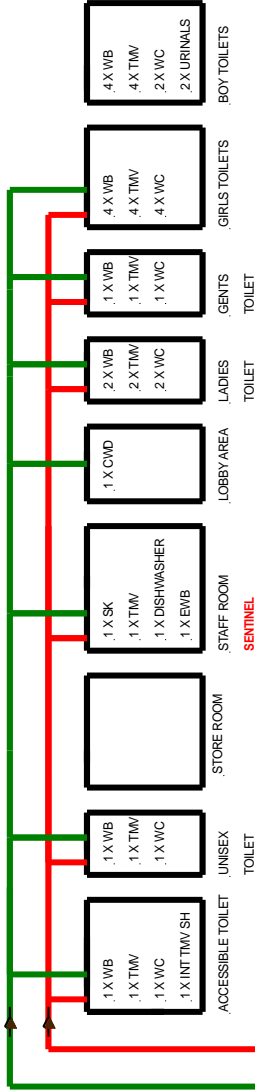
This drawing was prepared for the Legionellosis Risk Assessment Report and not intended as a scaled system drawing. Drawings are based on a visual inspection carried out during the survey. Some areas of pipe work may not have been visible during the survey therefore some assumptions may have been made in order to create this drawing.

FREESTON
Water Treatment

Freeston Water Treatment
Unit 1 The Business Centre
Calsonic Industrial Estate
Totter Southampton
SO40 3WW
Tel 02380 663713

Site Reference / Date
.Southampton City Council
.Newlands Primary School (New Site)
.26th January 2017
.Dwg 2

This drawing is not to scale



FOYER / RECEPTION AREA

LEGEND

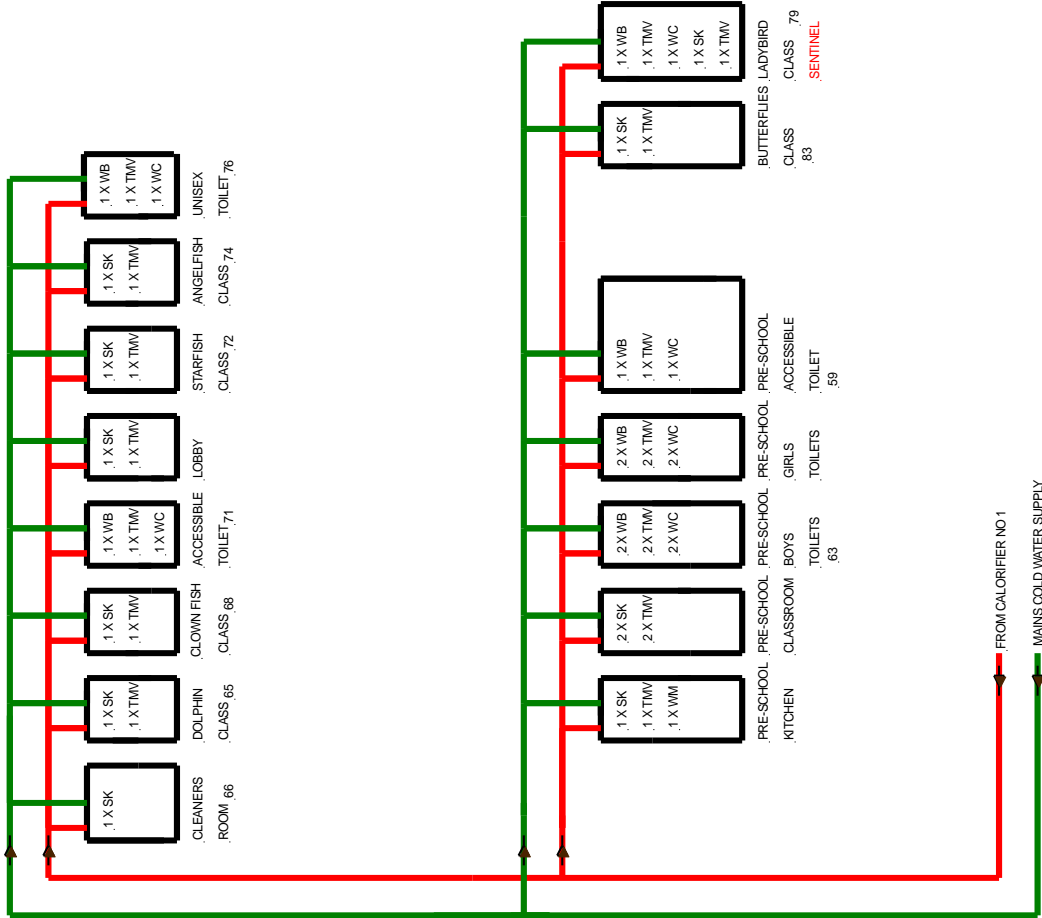
WM = Washing Machine	EPOUMH = Electric Point Of Use Water Heater	Mains Water
WB = Wash Basin	CWD = Chilled Water Dispenser	Down Service
SK = Sink	ELWH = Electric Local Water Heater	Hot Water
WC = Toilet	INT TMV SH = Integrated TMV Shower	Softened Water
EWB = Electric Water Boiler	TMV = Thermostatic Mixing Valve / Blender Valve	

This drawing was prepared for the Legionellosis Risk Assessment Report and not intended as a scaled system drawing. Drawings are based on a visual inspection carried out during the survey. Some areas of pipe work may not have been visible during the survey therefore some assumptions may have been made in order to create this drawing. This drawing is not to scale.

FREESTON
Water Treatment

Freeston Water Treatment
Unit 1 North Business Centre
Carmarthen Industrial Estate
Tolton Southampton
SO40 3WW
Tel: 02380 68713

Site Reference / Date
Southampton City Council
Newlands Primary School (New Site)
28th January 2017
Dwg 3



KS 1 AREA

KS 1 AREA

LEGEND

- .WM = Washing Machine
- .WB = Wash Basin
- .SK = Sink
- .WC = Toilet
- .EWB = Electric Water Boiler
- EPOUWH = Electric Point Of Use Water Heater
- CWD = Chilled Water Dispenser
- ELWH = Electric Local Water Heater
- INT TMV SH = Integrated TMV Shower
- TMV = Thermosetting Mixing Valve / Blender Valve
- Green line = Mains Water
- Red line = Down Service
- Blue line = Hot Water
- Purple line = Softened Water

This drawing was prepared for the Legionellosis Risk Assessment Report and not intended as a scaled system drawing. Drawings are based on a visual inspection carried out during the design process. Some areas of pipe work may not have been visible during the survey therefore some assumptions may have been made in order to create this drawing.

This drawing is not to scale

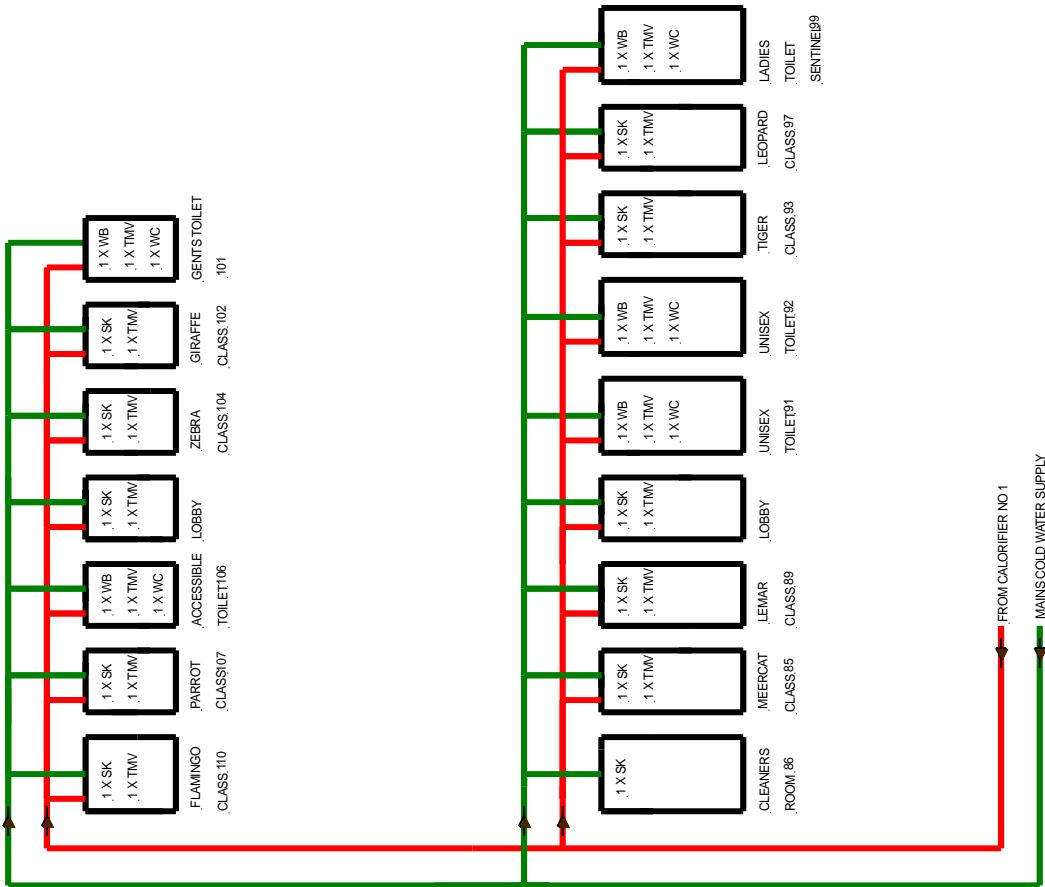
Freeston Water Treatment
Unit 1, Business Centre
Calmore Industrial Estate
Totton Southampton
SO40 3WW
Tel: 02380 669713



Site Reference/Date
Southampton City Council
Newlands Primary School (New Site)
26th January 2017
Dwg 4

KS 2 AREA

KS 2 AREA



LEGEND

- WM = Washing Machine
- WB = Wash Basin
- SK = Sink
- WC = Toilet
- EWB = Electric Water Boiler
- EPOUWH = Electric Point Of Use Water Heater
- CWD = Chilled Water Dispenser
- ELWH = Electric Local Water Heater
- INT TMV SH = Integrated TMV Shower
- TMV = Thermostatic Mixing Valve / Blender Valve

This drawing was prepared for the Legionellosis Risk Assessment Report and not intended as a scaled system drawing. Drawings are based on a visual inspection carried out during the survey. The drawing is not to scale. Some areas of pipe work may not have been visible during the survey therefore some assumptions may have been made in order to create this drawing.

Site Reference / Date
 Southampton City Council
 Newlands Primary School (New Site)
 28th January 2017
 Dwg 5

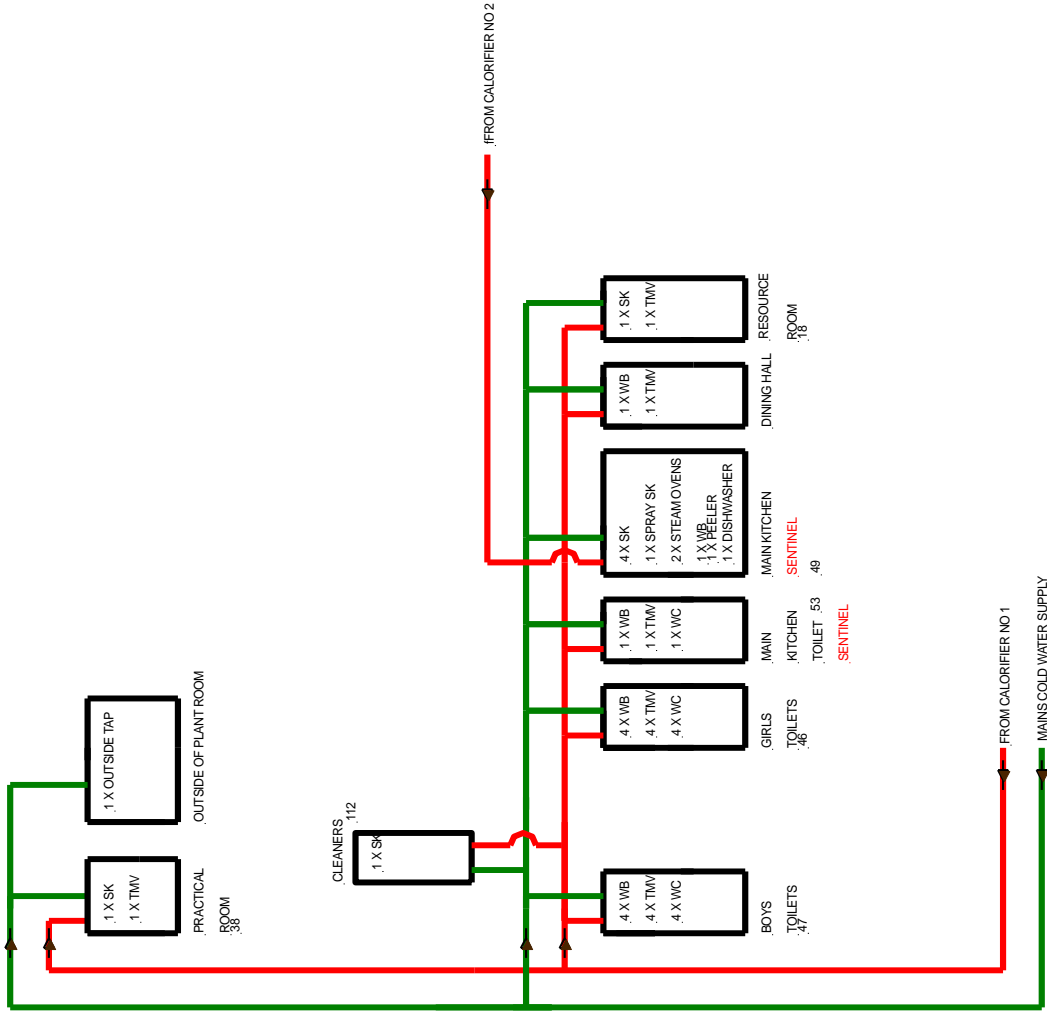
FREESTON
 Water Treatment

Freeston Water Treatment
 Unit 1, The Business Centre
 Calmore Industrial Estate
 Totton Southampton
 SO40 3WW
 Tel: 02380 669713

This drawing is not to scale

MAIN CORRIDOR AREA

MAIN CORRIDOR AREA



LEGEND
 WM = Washing Machine
 WB = Wash Basin
 SK = Sink
 WC = Toilet
 EWB = Electric Water Boiler
 EPUWH = Electric Point Of Use Water Heater
 CWD = Chilled Water Dispenser
 ELWH = Electric Local Water Heater
 INT TMV SH = Intergrated TMV Shower
 TMV = Thermostatic Mixing Valve / Blender Valve

Freeston Water Treatment
 Unit 1, Business Centre
 Calmore Industrial Estate
 Totton Southampton
 SO40 3WW
 Tel: 02380 669713

FREESTON
 Water Treatment

This drawing was prepared for the Legionellosis Risk Assessment Report and not intended as a scaled system drawing. Drawings are based on a visual inspection carried out during the survey. Some areas of pipe work may not have been visible during the survey therefore some assumptions may have been made in order to create this drawing.
 This drawing is not to scale

Site Reference / Date
 Southampton City Council
 Newlands Primary School (New Site)
 28th January 2017
 Dwg 6