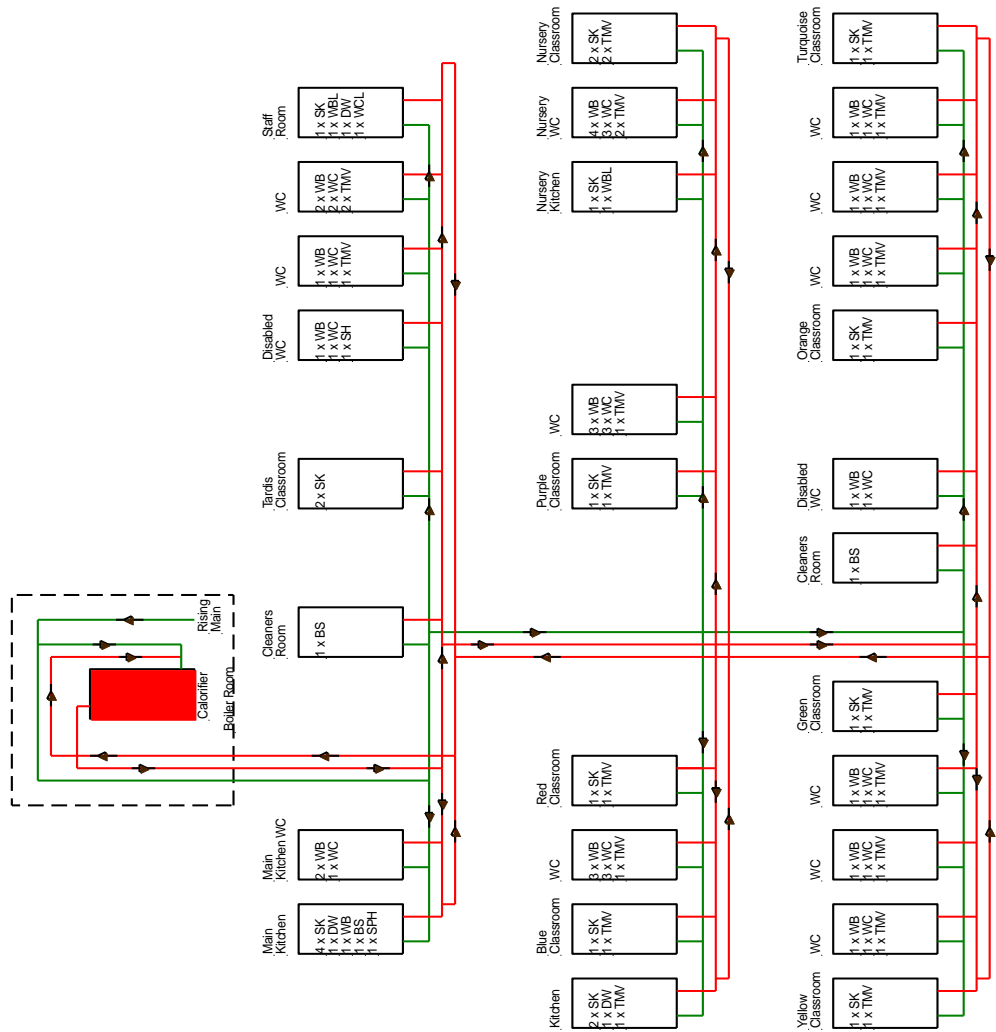


**Redbridge Primary School**

**Water System  
Drawings**

**10<sup>th</sup> February 2017**



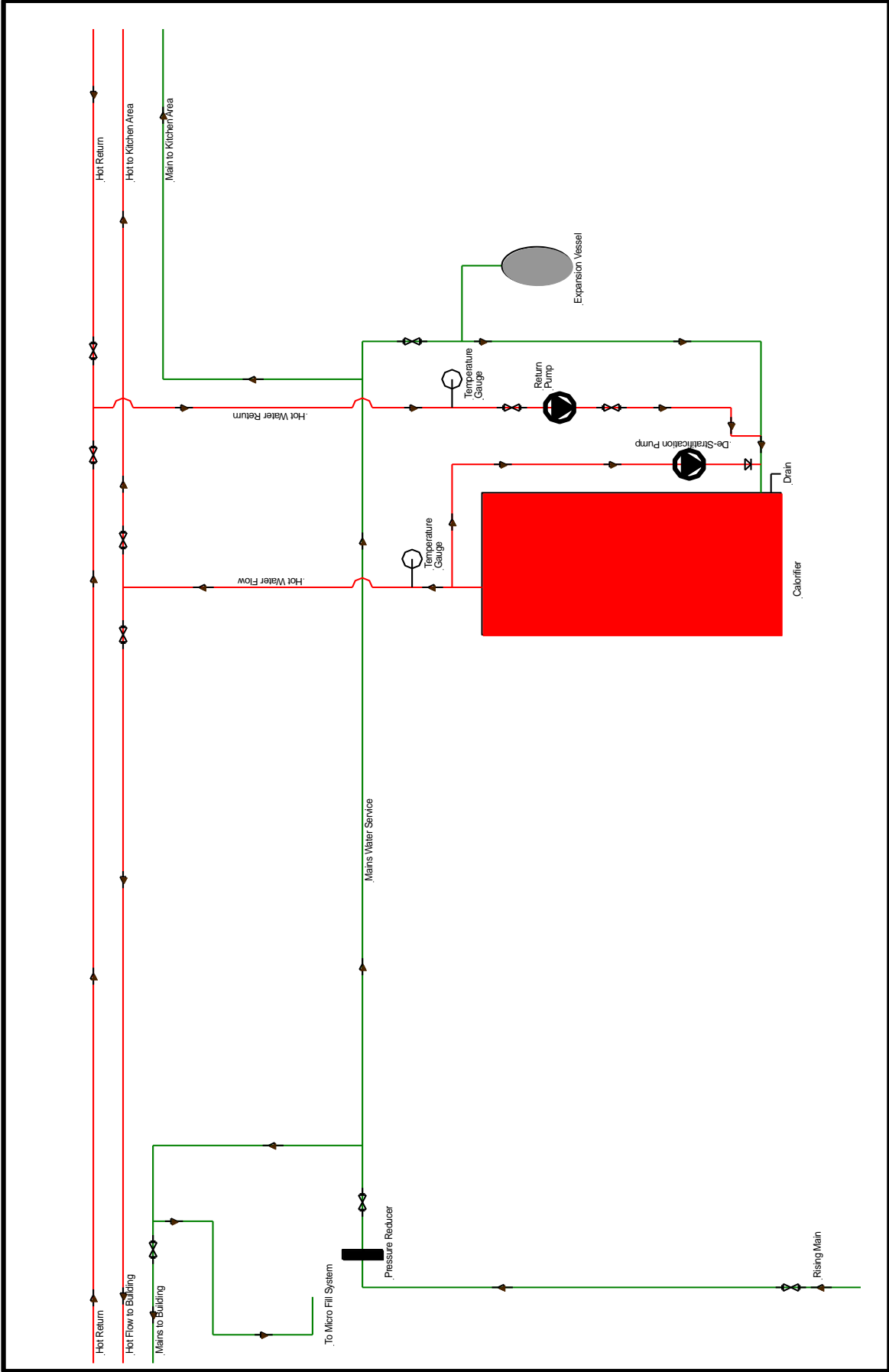
This drawing was prepared for the Legionellosis Risk-Assessment Report and not intended as a scaled system drawing. It is not intended as a design drawing. During the Risk Assessment and information given at the time of the survey, some areas of pipe work may not have been visible during the survey therefore some assumptions may have been made in order to create this drawing.  
 This drawing is not to scale

<b>LEGEND</b>	DW = Dishwasher	WB = Water Boiler	BS = Butler Sink
WM = Washing Machine	UR = Urinal	WCL = Water Cooler	Mains Water (Green line)
WB = Wash Basin	WH = Water Heater	SPH = Sprayhead Outlet	Down Service (Blue line)
SK = Sink	POUWH = Point Of Use Water Heater	TMV = Thermostatic Mixing Valve / Blender / Valve	Hot Water (Red line)
WC = Toilet			Softened Water (Yellow line)
SH = Shower			

**FREESTON**  
Water Treatment

**Freeston Water Treatment**  
Lulworth Business Centre  
Calmore Industrial Estate  
Totter Southampton  
SO40 3WV  
Tel 02380669713

**Site Reference/Date**  
Redbridge Primary School  
Domestic Water System Layout  
10th February 2017



**Site Reference / Date**  
 Redbridge Primary School  
 Boiler Room  
 Domestic Water System  
 10th February, 2017

**FREESTON**  
 Water Treatment

Freeston Water Treatment  
 Lulworth Business Centre  
 Calmore Industrial Estate  
 Totton Southampton  
 SO40 3WW  
 Tel 02380669713

This drawing was prepared for the Legionellosis Risk-Assessment Report and not intended as a scaled system drawing. It is a schematic diagram and does not represent the actual layout of the system. Some areas of pipe work may not have been visible during the survey therefore some assumptions may have been made in order to create this drawing.  
 This drawing is not to scale

**LEGEND**

WM = Washing Machine  
 WB = Wash Basin  
 SK = Sink  
 WC = Toilet  
 SH = Shower

DW = Dishwasher  
 UR = Urinal  
 WH = Water Heater  
 POUWH = Point Of Use Water Heater  
 TMV = Thermostatic Mixing Valve / Blender Valve

Mains Water (Green line)  
 Down Service (Blue line)  
 Hot Water (Red line)  
 Softened Water (Light Green line)