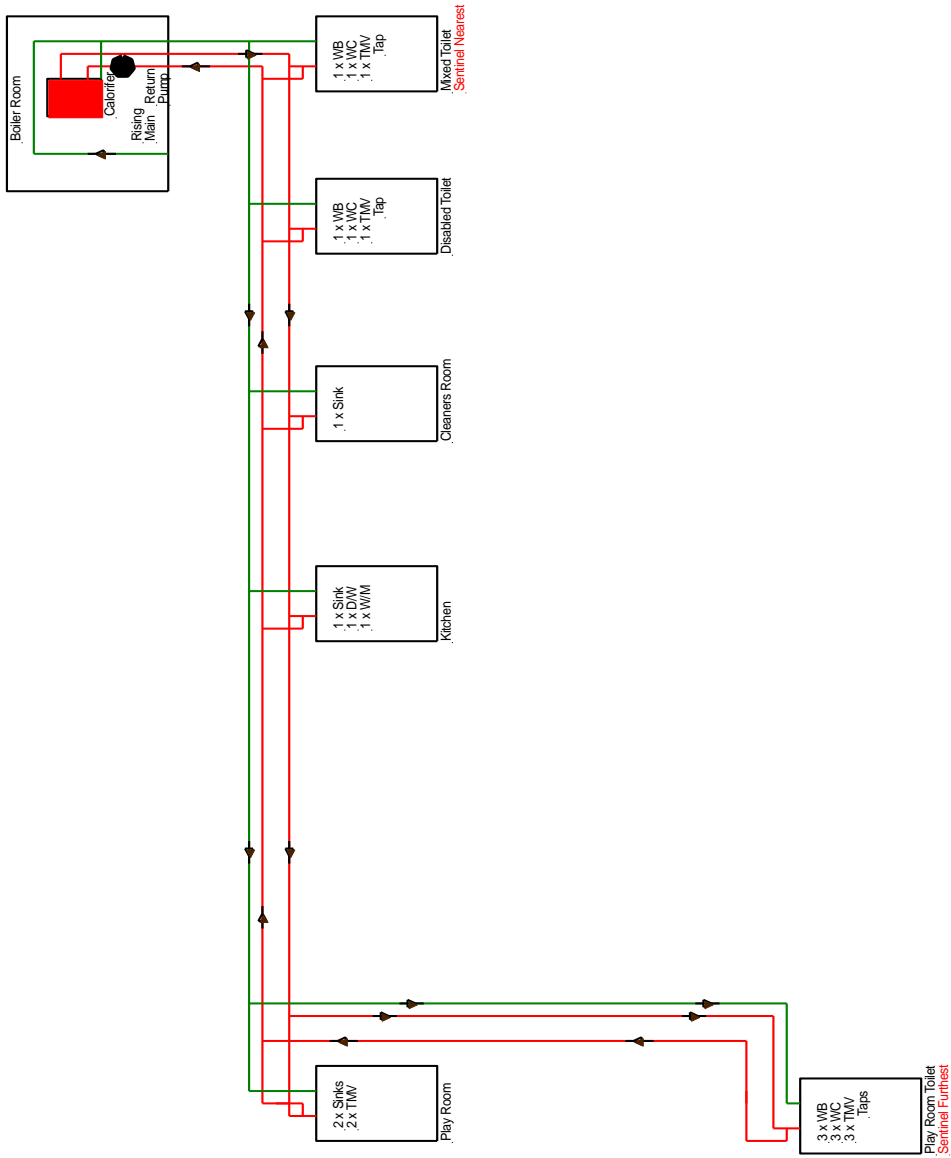


Sure Start Little Berries

Review Photographs

8th June 2017



Site Reference/Date : 8th June 2017
 Sure Start Little Berries
 Assumed Domestic Water System Layout

FREESTON
 Water Treatment

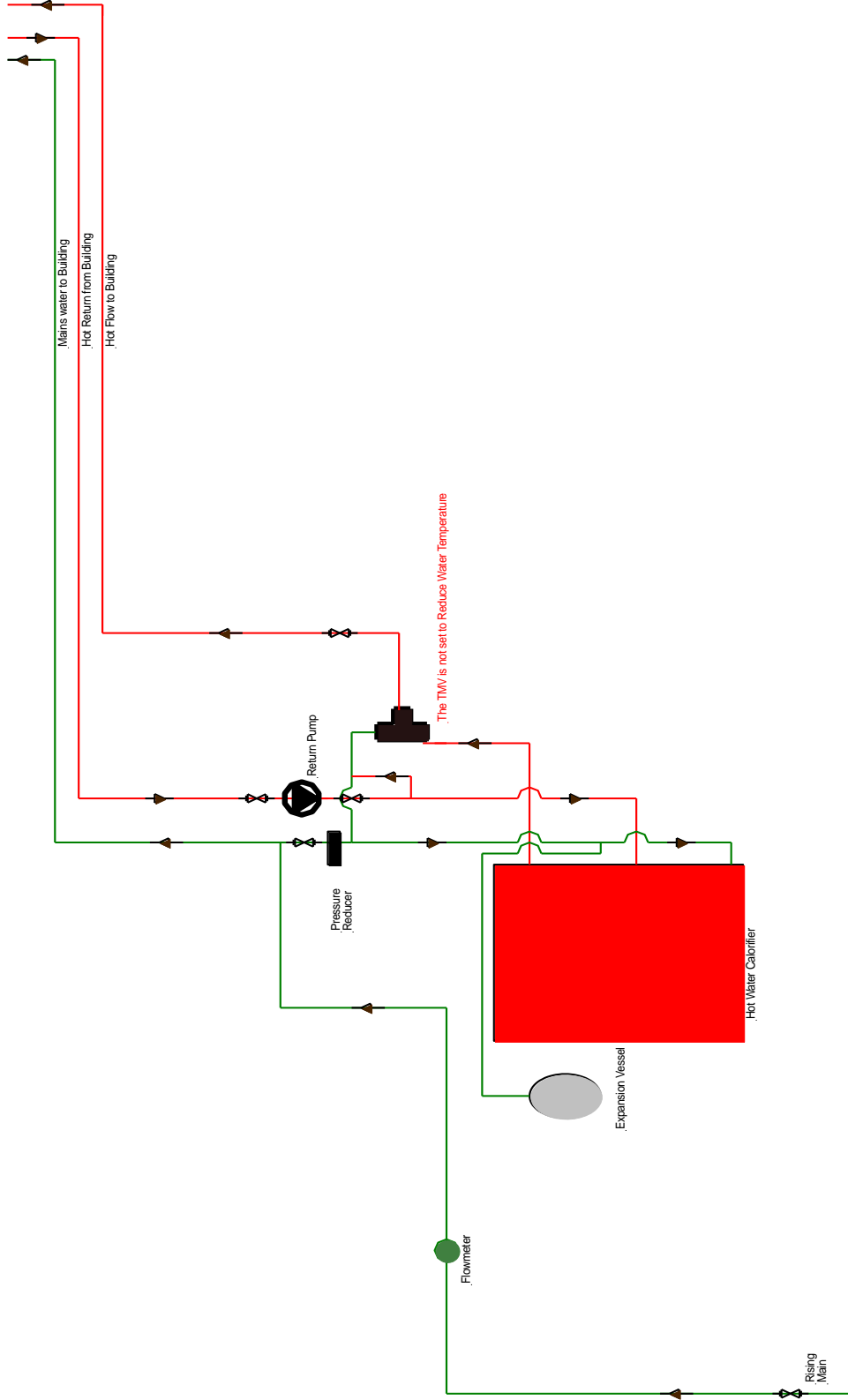
Freeston Water Treatment
 Unit 1
 Uxton Business Centre
 Colchester Estate
 Tilton Southampton
 SO40 3MW
 Tel 02380689713

This drawing was prepared for the Legionellosis Risk Assessment Report and not intended as a scaled system drawing. Drawings are based on a visual inspection carried out during the Risk Assessment and information given at the time of this survey. The drawings are not intended to be used for any other purpose. In the event of a survey, therefore, some assumptions may have been made in order to create this drawing.

This drawing is not to scale

LEGEND

WM = Washing Machine	DW = Dishwasher	Green line = Mains Water
WB = Wash Basin	UR = Urinal	Blue line = Down Service
SK = Sink	WH = Water Heater	Red line = Hot Water
WC = Toilet	POUWH = Point Of Use Water Heater	Yellow line = Softened Water
SH = Shower	TMV = Thermostatic Mixing Valve / Blender Valve	



The TMV is not set to Reduce Water Temperature

LEGEND
 WM = Washing Machine
 WB = Wash Basin
 SK = Sink
 WC = Toilet
 SH = Shower
 DW = Dishwasher
 UR = Urinal
 WH = Water Heater
 POUWH = Point Of Use Water Heater
 TMV = Thermostatic Mixing Valve / Blender Valve

— Mains Water
 — Down Service
 — Hot Water
 — Softened Water

This drawing was prepared for the Legionellosis Risk Assessment Report and not intended as a scaled system drawing. Drawings are based on a visual inspection carried out during the Risk Assessment and information given at the time of the survey. Some assumptions may have been made in order to create this drawing.

This drawing is not to scale

FREESTON
 Water Treatment
 Unit 1
 Upton Business Centre
 Church Lane
 Stratton Southampton
 SO40 3MW
 Tel 02380689713

Site Reference/Date 8th June 2017
 Sure Start Little Berries
 Boiler Room Domestic Water System Layout