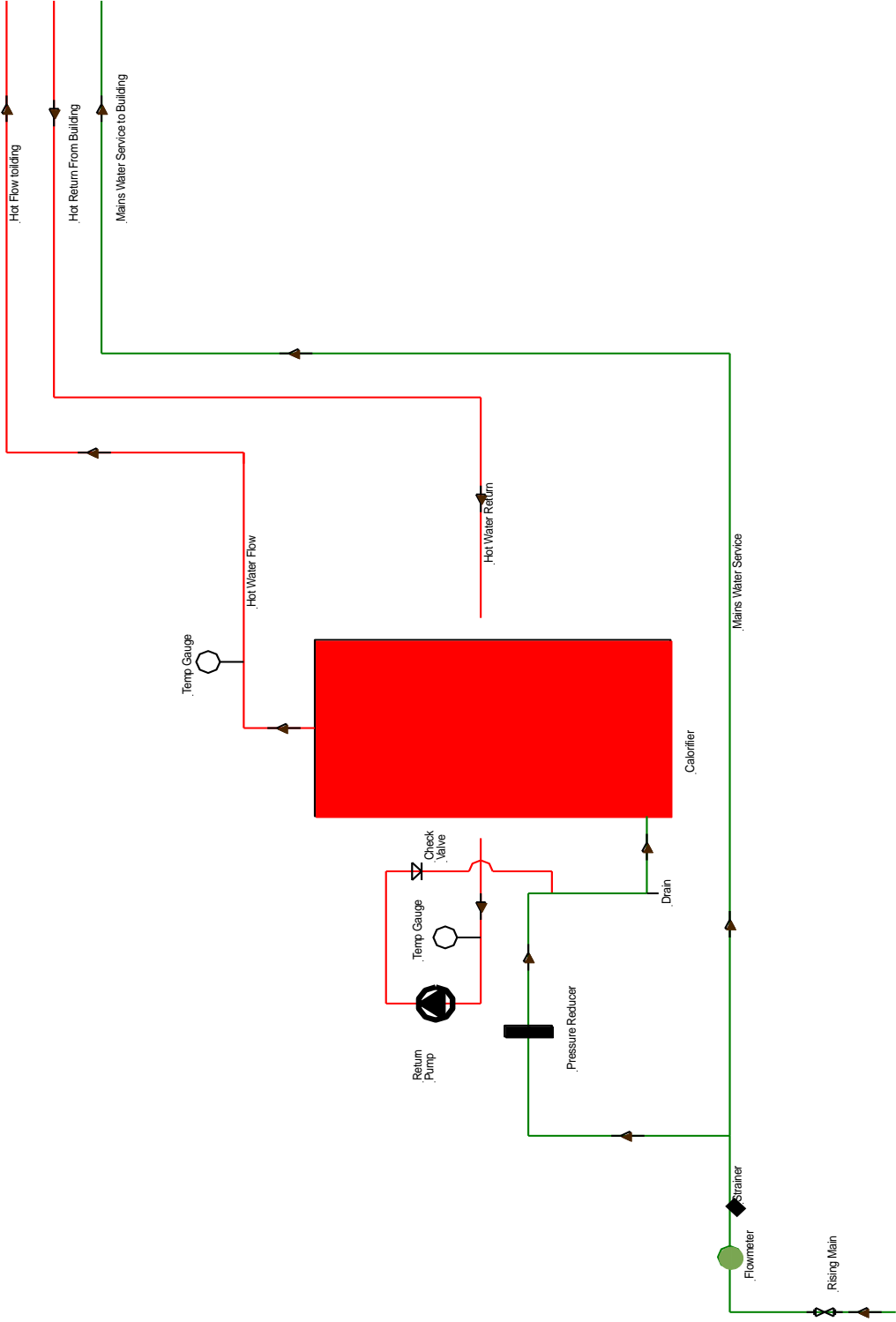


**Sure Start Thornhill  
Water System Drawings  
14<sup>th</sup> August 2017**



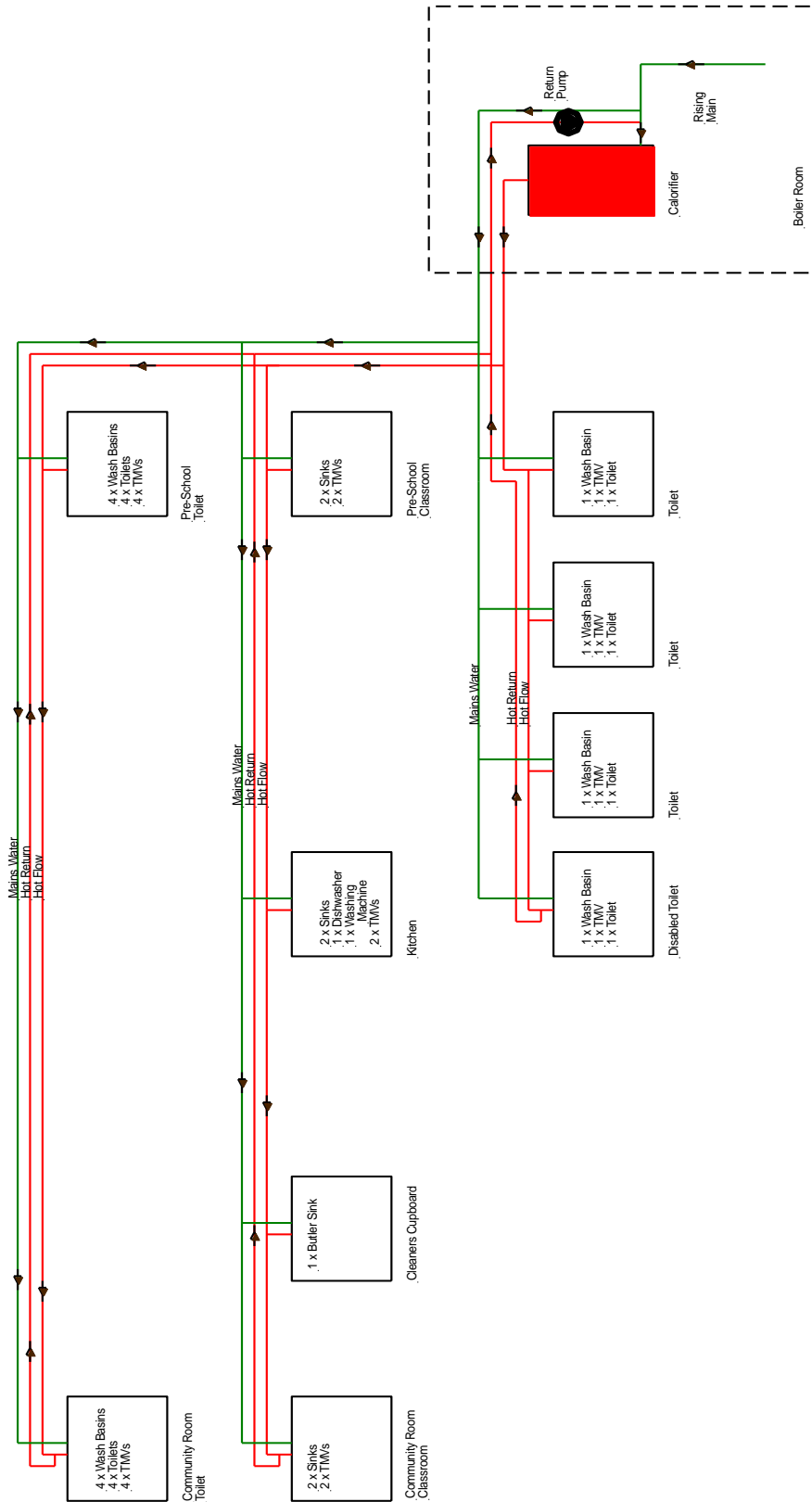
**Site Reference/Date**  
 Thornhill Sure Start Centre  
 Boiler Room  
 Domestic Water Service Layout  
 14th August 2017

**Freeston Water Treatment**  
 Unit 1  
 Unworn Business Centre  
 Colchester Estate  
 Totton Southampton  
 SO40 3MW  
 Tel 02380689713

**FREESTON**  
 Water Treatment

This drawing was prepared for the Legionellosis Risk Assessment Report and not intended as a scaled system drawing. Drawings are based on a visual inspection carried out during the Risk Assessment and information given at the time of this survey. Some assumptions may have been made in order to create this drawing. **This drawing is not to scale**

- LEGEND**
- WM = Washing Machine
  - WB = Wash Basin
  - SK = Sink
  - WC = Toilet
  - SH = Shower
  - DW = Dishwasher
  - UR = Urinal
  - WH = Water Heater
  - POUWH = Point Of Use Water Heater
  - TMW = Thermostatic Mixing Valve / Blender Valve
- Green line = Mains Water
  - Blue line = Down Service
  - Red line = Hot Water
  - Green line = Softened Water



**LEGEND**

WM = Washing Machine  
 WB = Wash Basin  
 SK = Sink  
 WC = Toilet  
 SH = Shower

DW = Dishwasher  
 UR = Urinal  
 WH = Water Heater  
 POUWH = Point Of Use Water Heater  
 TMW = Thermostatic Mixing Valve / Blender Valve

Mains Water  
 Down Service  
 Hot Water  
 Softened Water

This drawing was prepared for the Legionellosis Risk Assessment Report and not intended as a scaled system drawing. Drawings are based on a visual inspection carried out during the Risk Assessment and information given at the time of the survey. Some assumptions may have been made in order to create this drawing.

**This drawing is not to scale**



Freeston Water Treatment  
 Unit 11  
 Unimor Business Centre  
 Cotnam Estate  
 Totton Southampton  
 SO40 3MW  
 Tel 02380689713

**Site Reference/Date**  
 Thornhill Sure Start Centre  
 Assumed Domestic Water System Layout  
 14th August 2017