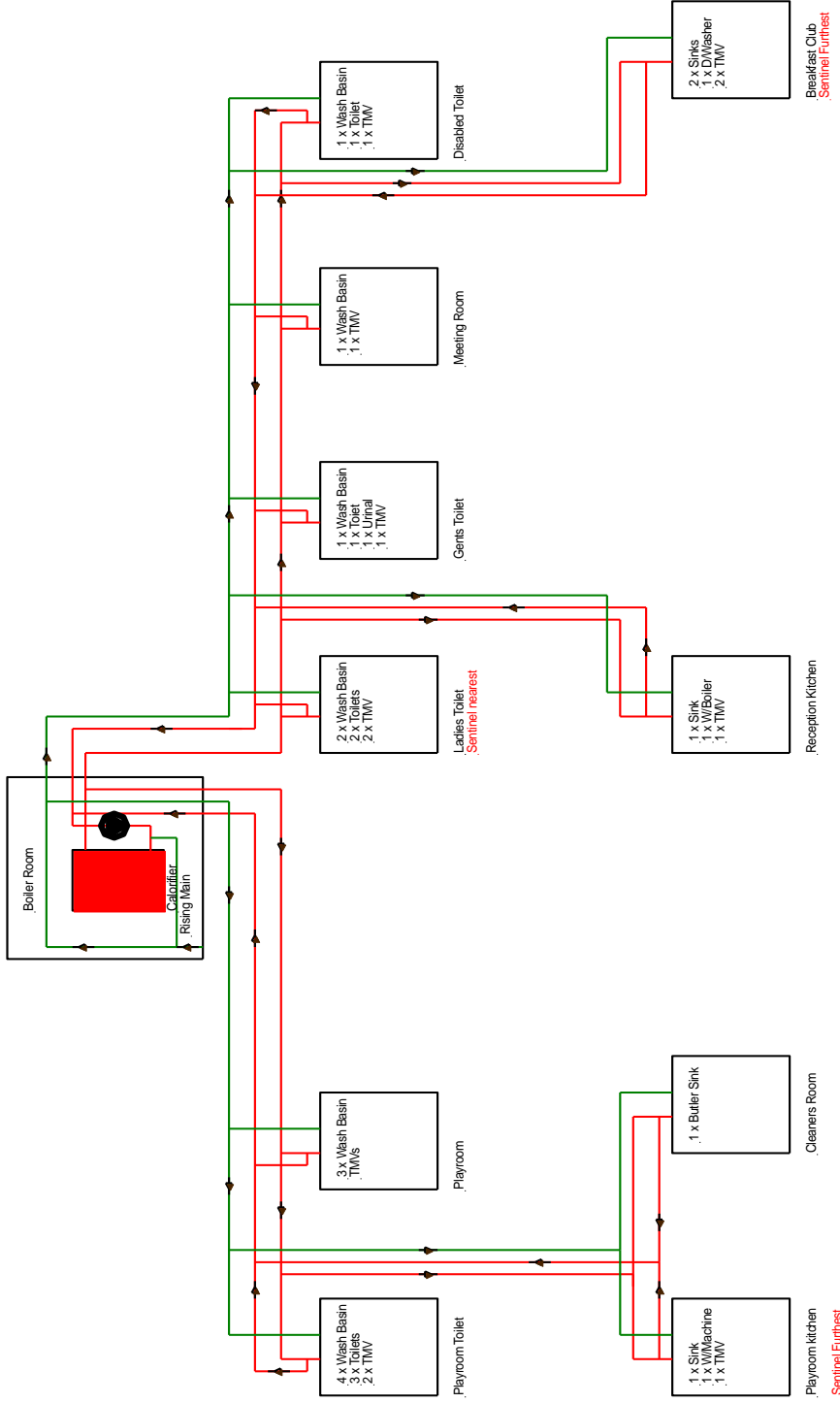


Sure Start Townhill Park

Water System Drawings

9th June 2017



LEGEND

- WM = Washing Machine
- WB = Wash Basin
- SK = Sink
- WC = Toilet
- SH = Shower
- DW = Dishwasher
- UR = Urinal
- WH = Water Heater
- POUWH = Point Of Use Water Heater
- TMW = Thermostatic Mixing Valve / Blender Valve

- Mains Water
- Down Service
- Hot Water
- Softened Water

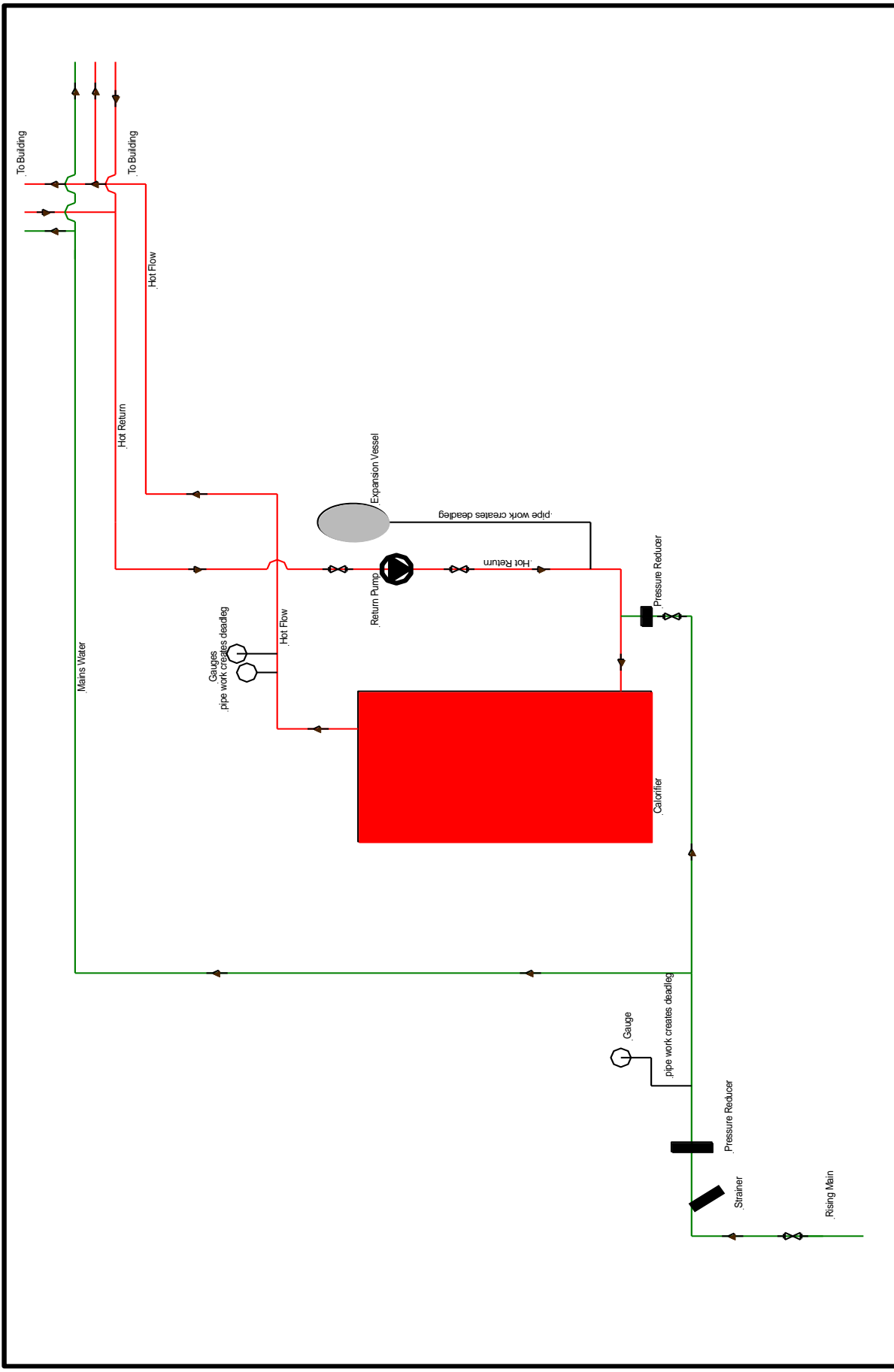
This drawing was prepared for the Legionellosis Risk Assessment Report and not intended as a scaled system drawing. Drawings are based on a visual inspection carried out during the Risk Assessment and information given at the time of this survey. Surveyors do not carry out invasive testing. Therefore, some assumptions may have been made in order to create this drawing.

This drawing is not to scale

FREESTON
Water Treatment

Unit 11
Junction Business Centre
Cotton Road
Totton Southampton
SO40 3MW
Tel 02380689713

Site Reference/Date: 9th June 2017
Sure Start Towhill Park
Assumed Domestic Water System Layout



LEGEND

- WM = Washing Machine
- WB = Wash Basin
- SK = Sink
- WC = Toilet
- SH = Shower
- DW = Dishwasher
- UR = Urinal
- WH = Water Heater
- POUWH = Point Of Use Water Heater
- TMW = Thermostatic Mixing Valve / Blender Valve

LEGEND

- Mains Water
- Down Service
- Hot Water
- Softened Water

This drawing was prepared for the Legionellosis Risk Assessment Report and not intended as a scaled system drawing. Drawings are based on a visual inspection carried out during the Risk Assessment and information given at the time of the survey. Some assumptions may have been made in order to create this drawing.

This drawing is not to scale

FREESTON
Water Treatment

Freeston Water Treatment
Unit 1
Junction Business Centre
Cotton Road
Totton Southampton
SO40 3MW
Tel 02380689713

Site Reference/Date: 9th June 2017
Sure Start Towhill Park
Boiler Room Domestic Water System