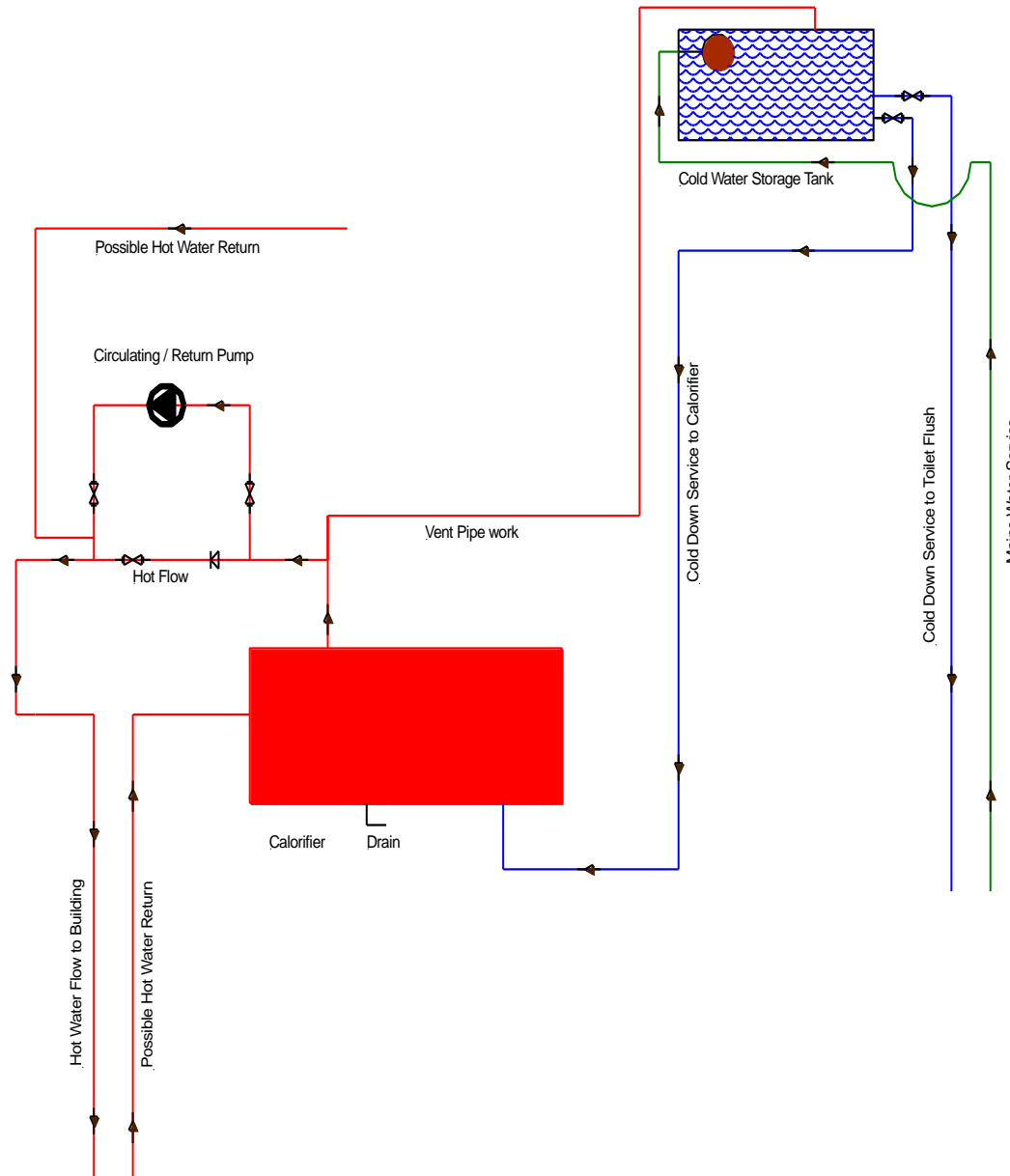


Swaythling Community Centre

Water System Drawings

1st February 2017



KEY

- Ball A Fix Valve
- bf
- Check Valve
- Laboratory Tap
- Blender Valve
- Pump
- Isolating Valve
- Safety Valve
- Drinking Fountain
- Shower
- Mains Water Service
- Cold Water Down Service
- Hot Flow/Return

Note

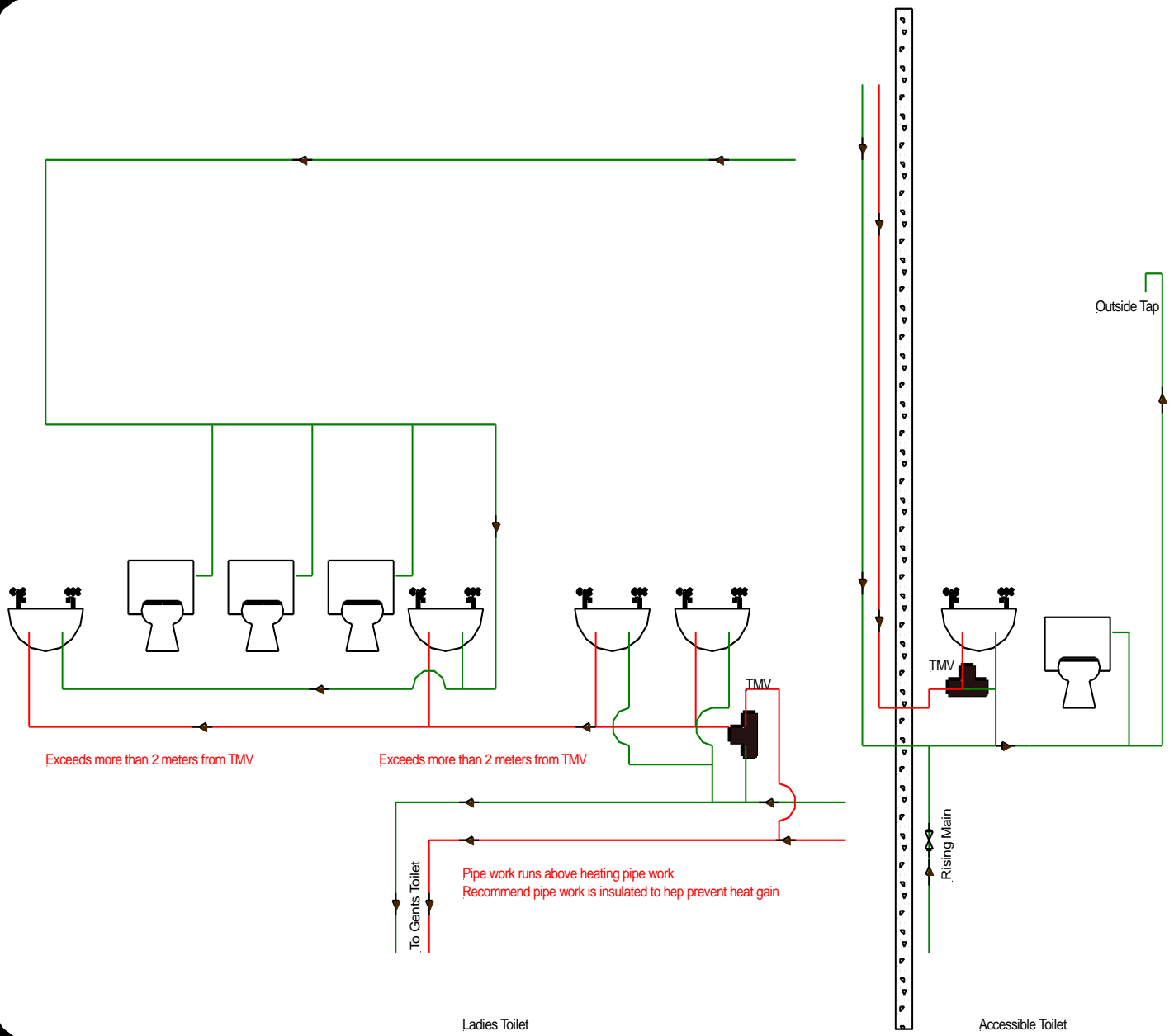
This drawing was prepared for the Legionellosis Risk Assessment Report and not intended as a scaled system drawing. Drawings are based on a visual inspection carried out during the Risk Assessment and information given at the time of the survey. Some areas of pipe work may not have been visible during the survey therefore some assumptions may have been made in order to create this drawing. This drawing is not to scale.

*Freeston Water Treatment
Unit 1
Lulworth Business Centre
Calmore Industrial Estate
Totton Southampton
SO40 3WW
Tel 02380669713*

Site Ref
Swaythling Community Centre
Calorifier and Water Tank
Layout

Date 1st February 2017

Drawing No.1



Exceeds more than 2 meters from TMV

Exceeds more than 2 meters from TMV

Pipe work runs above heating pipe work
Recommend pipe work is insulated to hep prevent heat gain

To Genis Toilet

Ladies Toilet

Accessible Toilet

KEY

- Ball A Fix Valve
- bf
- Check Valve
- Laboratory Tap
- Blender Valve
- Pump
- Isolating Valve
- Safety Valve
- Drinking Fountain
- Shower
- Mains Water Service
- Cold Water Down Service
- Hot Flow/Return

Note

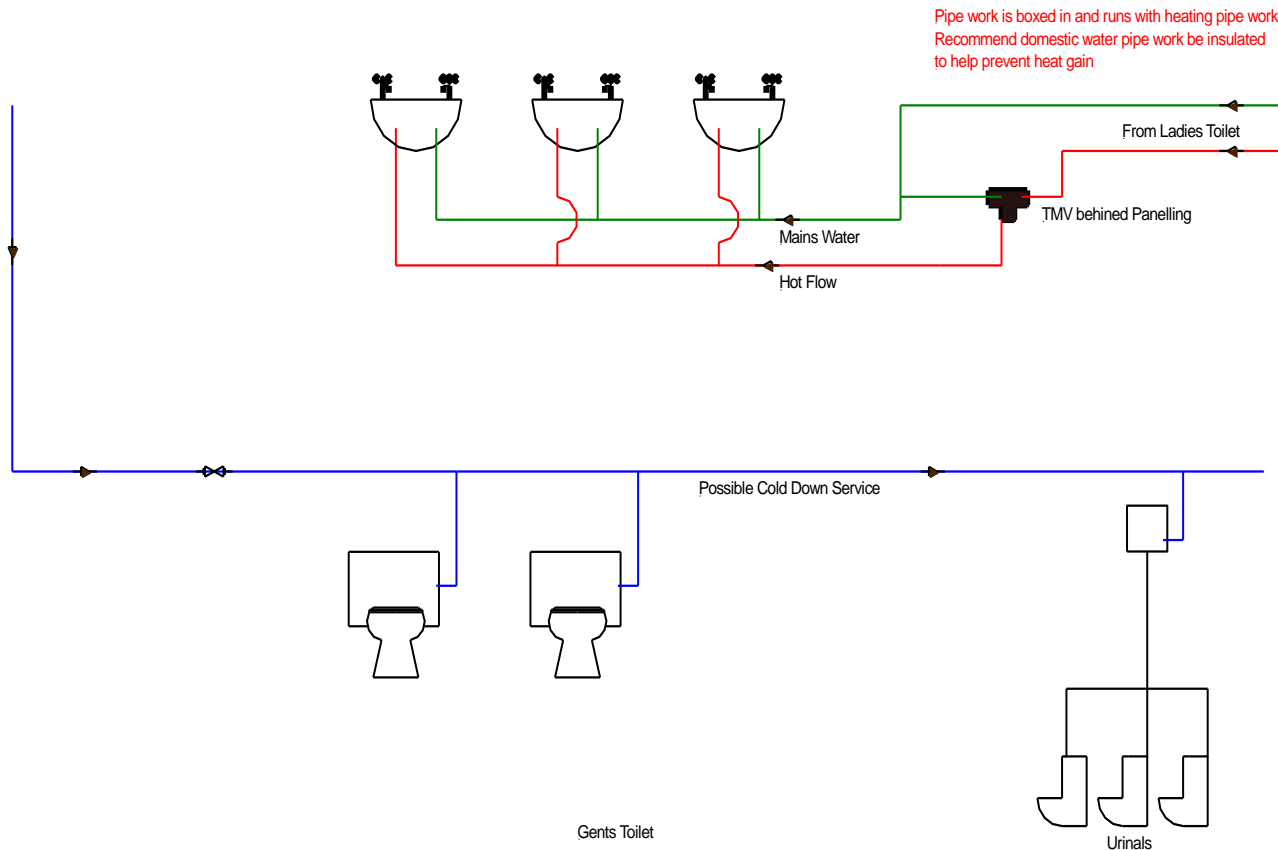
This drawing was prepared for the Legionellosis Risk Assessment Report and not intended as a scaled system drawing. Drawings are based on a visual inspection carried out during the Risk Assessment and information given at the time of the survey. Some areas of pipe work may not have been visible during the survey therefore some assumptions may have been made in order to create this drawing. This drawing is not to scale.

*Freeston Water Treatment Unit 1
Lulworth Business Centre
Calmore Industrial Estate
Totton Southampton
SO40 3WW
Tel 02380669713*

Site Ref
Swaythling Community Centre
Ladies & Accessible Toilet Areas
Ground Floor

Date 1st February 2017

Drawing No.2



KEY

-  Ball A Fix Valve
-  bf
-  Check Valve
-  Laboratory Tap
-  Blender Valve
-  Pump
-  Isolating Valve
-  Safety Valve
-  Drinking Fountain
-  Shower
-  Mains Water Service
-  Cold Water Down Service
-  Hot Flow/Return

Note

This drawing was prepared for the Legionellosis Risk Assessment Report and not intended as a scaled system drawing.

Drawings are based on a visual inspection carried out during the Risk Assessment and information given at the time of the survey.

Some areas of pipe work may not have been visible during the survey therefore some assumptions may have been made in order to create this drawing.

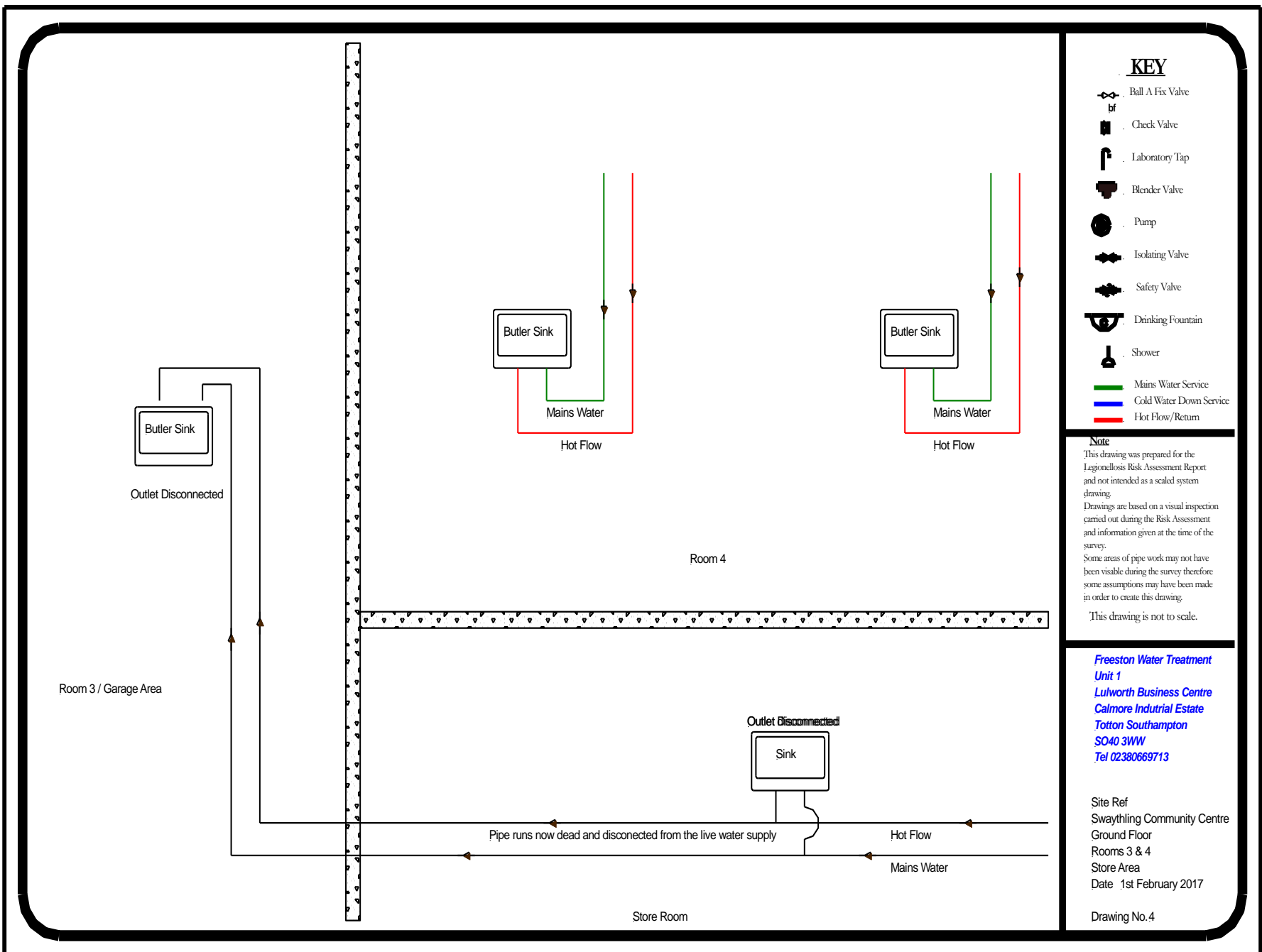
This drawing is not to scale.

Freeston Water Treatment Unit 1
Lulworth Business Centre
Calmore Industrial Estate
Totton Southampton
SO40 3WW
Tel 02380669713

Site Ref
 Swaythling Community Centre
 Ground Floor
 Gents Toilet

Date 1st February 2017

Drawing No.3



KEY

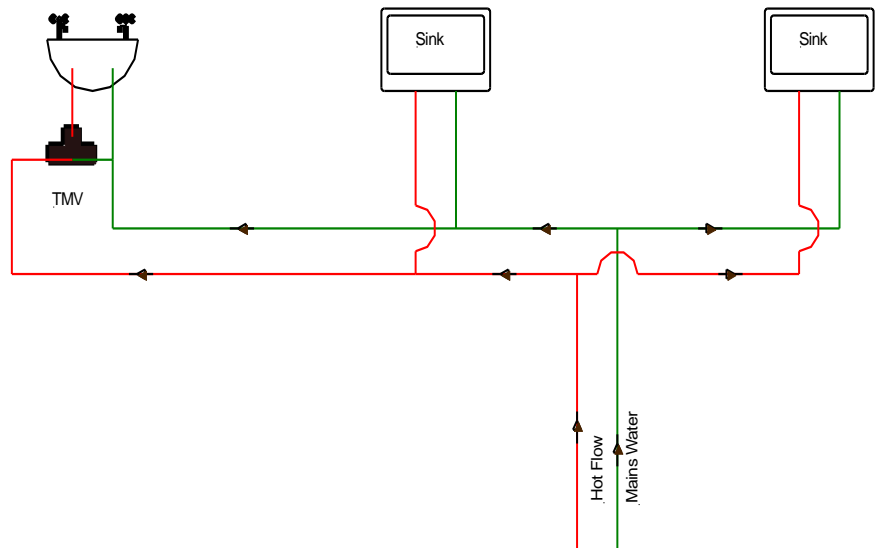
- Ball A Fix Valve
- bf
- Check Valve
- Laboratory Tap
- Blender Valve
- Pump
- Isolating Valve
- Safety Valve
- Drinking Fountain
- Shower
- Mains Water Service
- Cold Water Down Service
- Hot Flow/Return

Note
 This drawing was prepared for the Legionellosis Risk Assessment Report and not intended as a scaled system drawing. Drawings are based on a visual inspection carried out during the Risk Assessment and information given at the time of the survey. Some areas of pipe work may not have been visible during the survey therefore some assumptions may have been made in order to create this drawing. This drawing is not to scale.

*Freeston Water Treatment
 Unit 1
 Lulworth Business Centre
 Calmore Industrial Estate
 Totton Southampton
 SO40 3WW
 Tel 02380669713*

Site Ref
 Swaythling Community Centre
 Ground Floor
 Rooms 3 & 4
 Store Area
 Date 1st February 2017

Drawing No.4



KEY

-  Ball A Fix Valve
-  bf
-  Check Valve
-  Laboratory Tap
-  Blender Valve
-  Pump
-  Isolating Valve
-  Safety Valve
-  Drinking Fountain
-  Shower
-  Mains Water Service
-  Cold Water Down Service
-  Hot Flow/Return

Note

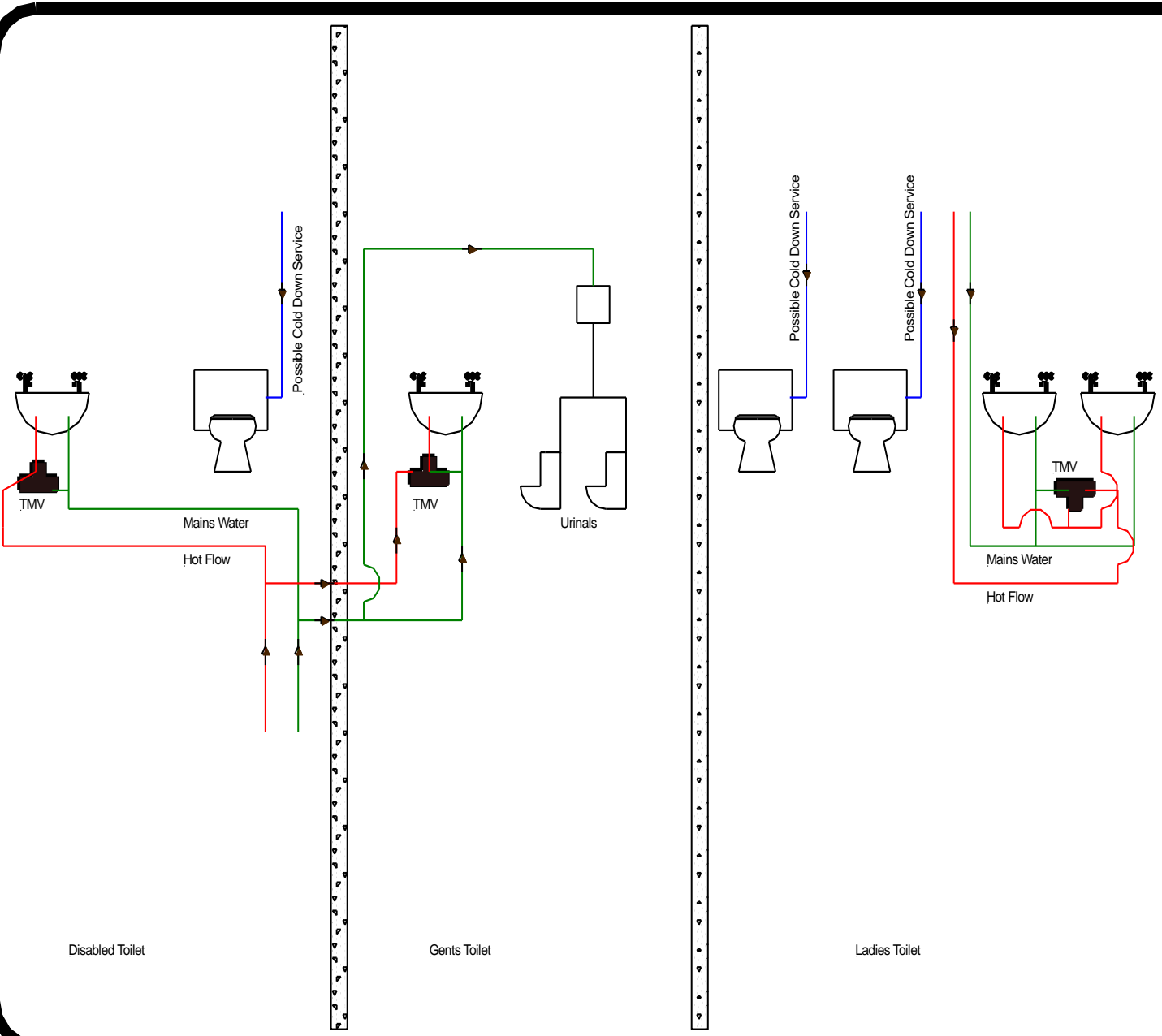
This drawing was prepared for the Legionellosis Risk Assessment Report and not intended as a scaled system drawing. Drawings are based on a visual inspection carried out during the Risk Assessment and information given at the time of the survey. Some areas of pipe work may not have been visible during the survey therefore some assumptions may have been made in order to create this drawing. This drawing is not to scale.

*Freeston Water Treatment
Unit 1
Lulworth Business Centre
Calmore Industrial Estate
Totton Southampton
SO40 3WW
Tel 02380669713*

Site Ref
Swaythling Community Centre
First Floor
Kitchen

Date 1st February 2017

Drawing No.5



KEY

- Ball A Fix Valve
- bf
- Check Valve
- Laboratory Tap
- Blender Valve
- Pump
- Isolating Valve
- Safety Valve
- Drinking Fountain
- Shower
- Mains Water Service
- Cold Water Down Service
- Hot Flow/Return

Note
 This drawing was prepared for the Legionellosis Risk Assessment Report and not intended as a scaled system drawing.
 Drawings are based on a visual inspection carried out during the Risk Assessment and information given at the time of the survey.
 Some areas of pipe work may not have been visible during the survey therefore some assumptions may have been made in order to create this drawing.
 This drawing is not to scale.

*Freeston Water Treatment
 Unit 1
 Lulworth Business Centre
 Calmore Industrial Estate
 Totton Southampton
 SO40 3WW
 Tel 02380669713*

Site Ref
 Swaythling Community Centre
 First Floor Toilet Areas

Date 1st February 2017

Drawing No.6