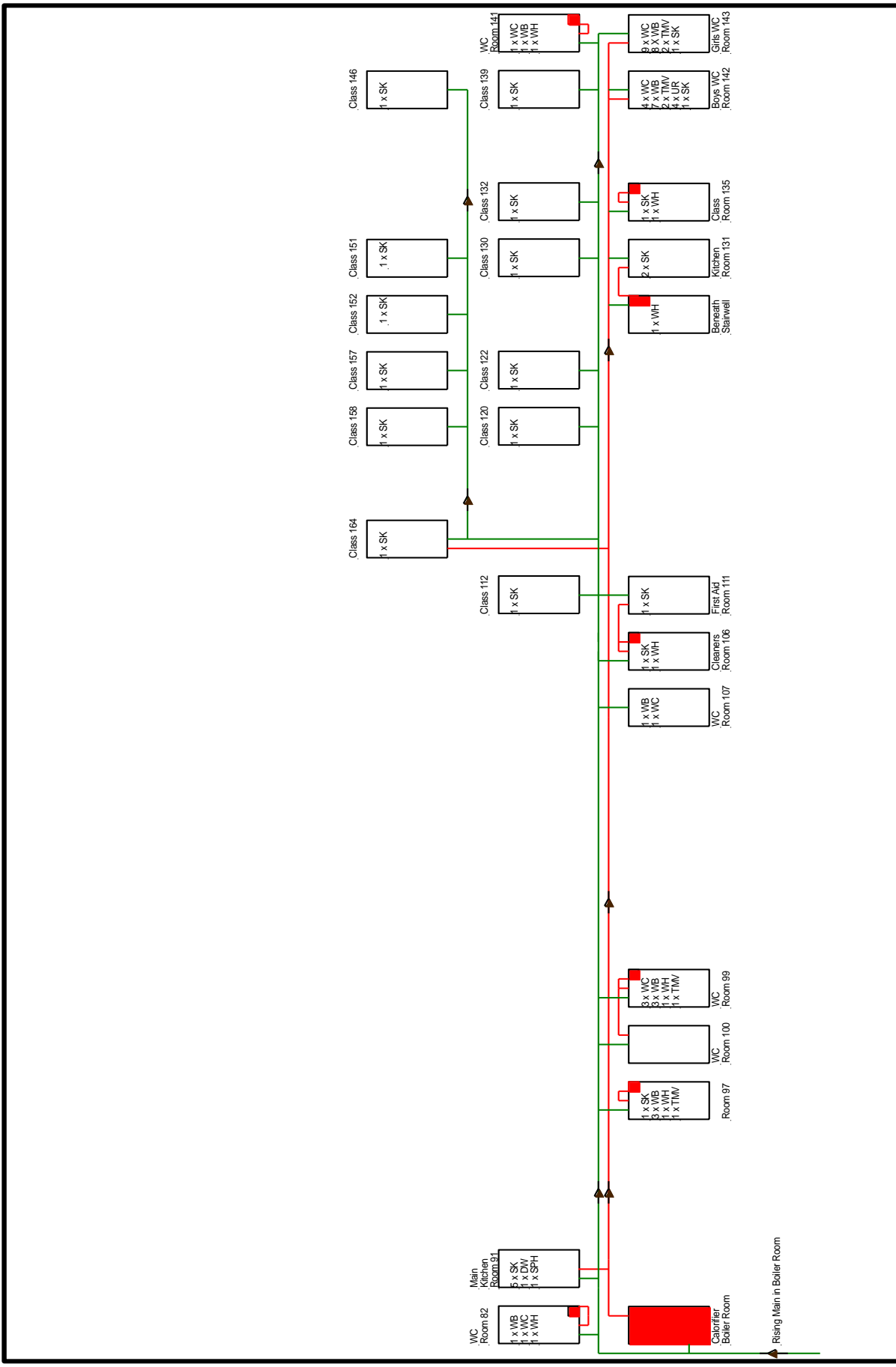


Valentine Primary School

Water System Drawings

11th April 2017



LEGEND

- WM = Washing Machine
- WB = Wash Basin
- SK = Sink
- WC = Toilet
- SH = Shower
- DW = Dishwasher
- UR = Urinal
- Water Heater
- POUWH = Point Of Use Water Heater
- TMV = Thermostatic Mixing Valve / Blender Valve

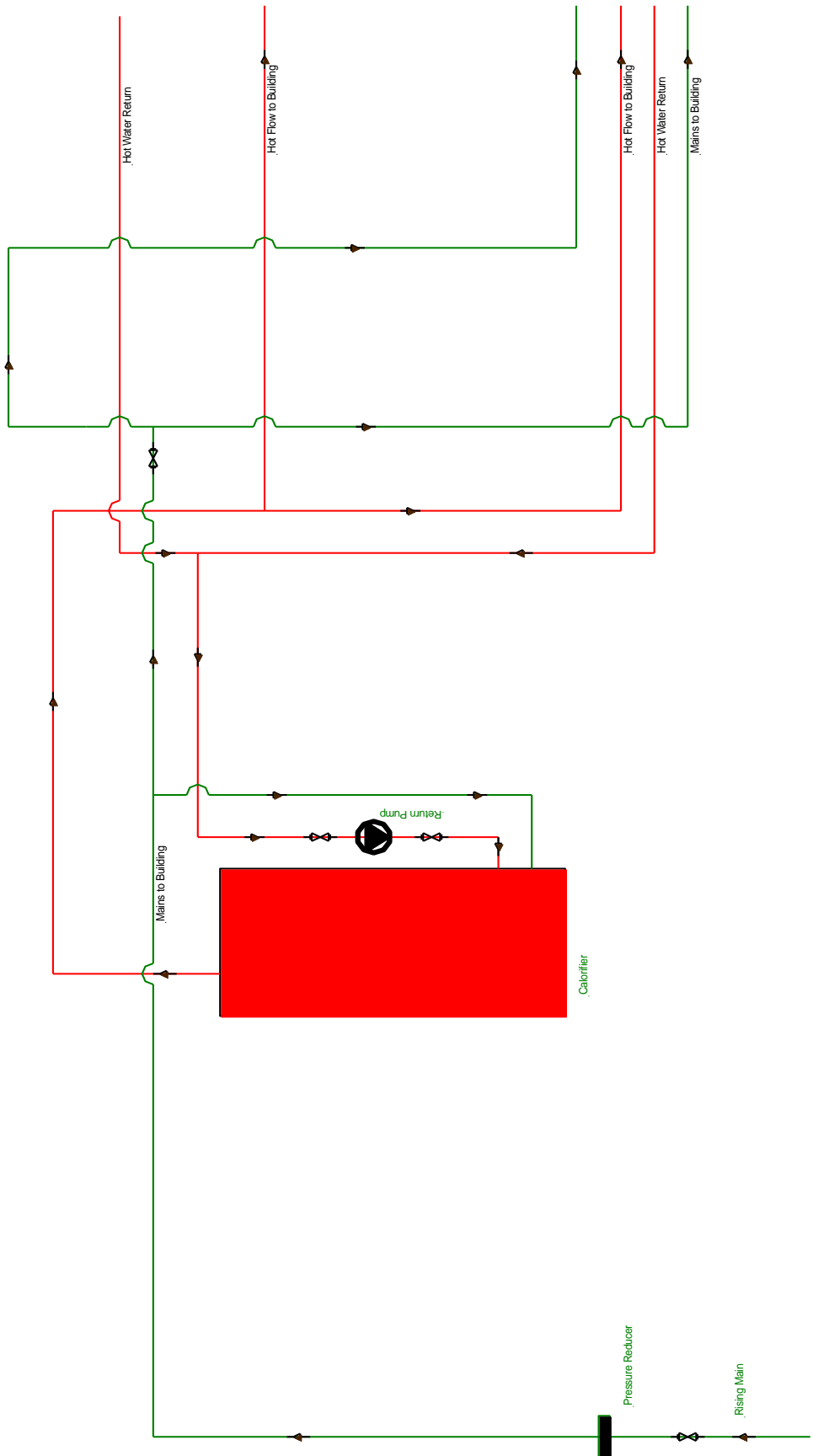
— Mains Water
— Down Service
— Hot Water
— Softened Water

This drawing was prepared for the Legionellosis Risk Assessment Report and not intended as a scaled system drawing. Drawings are based on a visual inspection carried out during the Risk Assessment and information given at the time of this survey. Some assumptions may have been made during the survey, therefore some assumptions may have been made in order to create this drawing.

This drawing is not to scale

Freeston Water Treatment
 Unit 1
 Uinorth Business Centre
 Colyton Estate
 Sutton Southampton
 SO40 3MW
 Tel 02380689713

Site Reference/Date
 Valentine Primary School
 Westwood Block
 Assumed Water System Layout
 11th April 2017



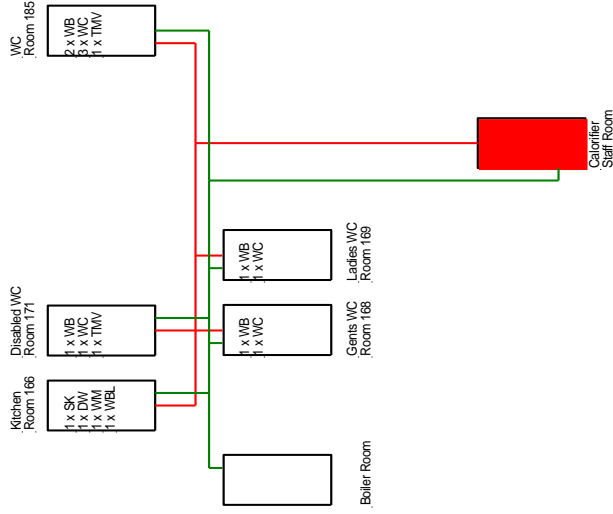
Site Reference/Date
 Valentine Primary School
 Westwood Block
 Boiler Room Calorifier Layout
 11th April 2017

Freston Water Treatment Unit
 Lutworth Business Centre
 Calmore Industrial Estate
 Totton Southampton
 SO40 3WW
 Tel 02380669713



This drawing was prepared for the Legionellosis Risk Assessment Report and not intended as a scaled system drawing. It is based on the information provided during the Risk Assessment and information given at the time of the survey. Some areas of pipe work may not have been visible during the survey therefore some assumptions may have been made in order to create this drawing.
This drawing is not to scale

LEGEND	.WM = Washing Machine	.DW = Dishwasher	.Mains Water
.WB = Wash Basin	.UR = Urinal	.Down Service	Hot Water
.SK = Sink	.WH = Water Heater	.Hot Water	Softened Water
.WC = Toilet	.POUWH = Point Of Use Water Heater		
.SH = Shower	.TWV = Thermostatic Mixing Valve / Blender Valve		



LEGEND

- .WM = Washing Machine
- .WB = Wash Basin
- .SK = Sink
- WC = Toilet
- SH = Shower
- DW = Dishwasher
- .UR = Urinal
- .WH = Water Heater
- POUWH = Point Of Use Water Heater
- .TMV = Thermostatic Mixing Valve / Blender Valve

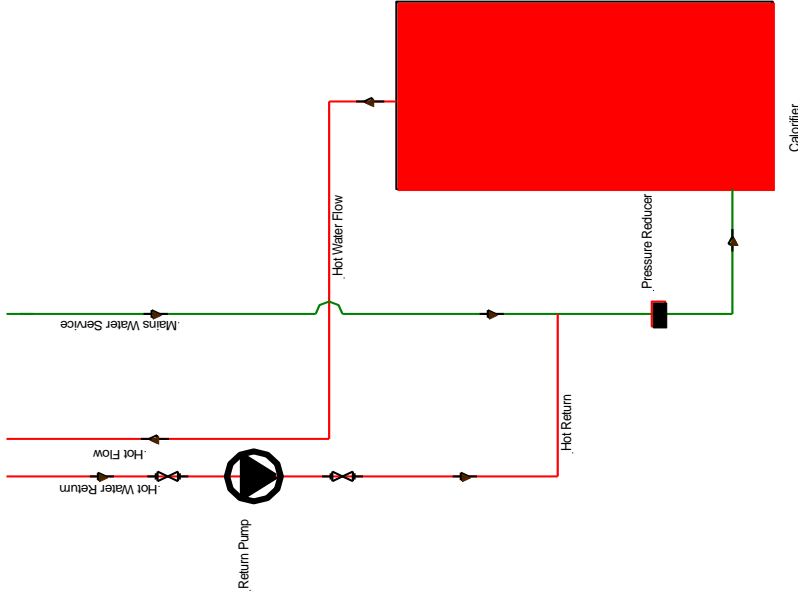
- Mains Water
- Down Service
- Hot Water
- Softened Water

This drawing was prepared for the Legionellosis Risk Assessment Report and not intended as a scaled system drawing. Drawings are based on a visual inspection carried out during the Risk Assessment and information given at the time of this survey. Some assumptions may have been made in order to create this drawing.

This drawing is not to scale

FREESTON
Water Treatment
Unit 1
Unworn Business Centre
Cotton Estate
Totton Southampton
SO40 3MW
Tel 02380689713

Site Reference/Date
Valentine Primary School
Admin / Reception Block
Assumed Water System Layout
11th April 2017



LEGEND

- WM = Washing Machine
- WB = Wash Basin
- SK = Sink
- WC = Toilet
- SH = Shower
- DW = Dishwasher
- UR = Urinal
- WH = Water Heater
- POUWH = Point Of Use Water Heater
- TWV = Thermostatic Mixing Valve / Blender Valve

- Mains Water
- Down Service
- Hot Water
- Softened Water

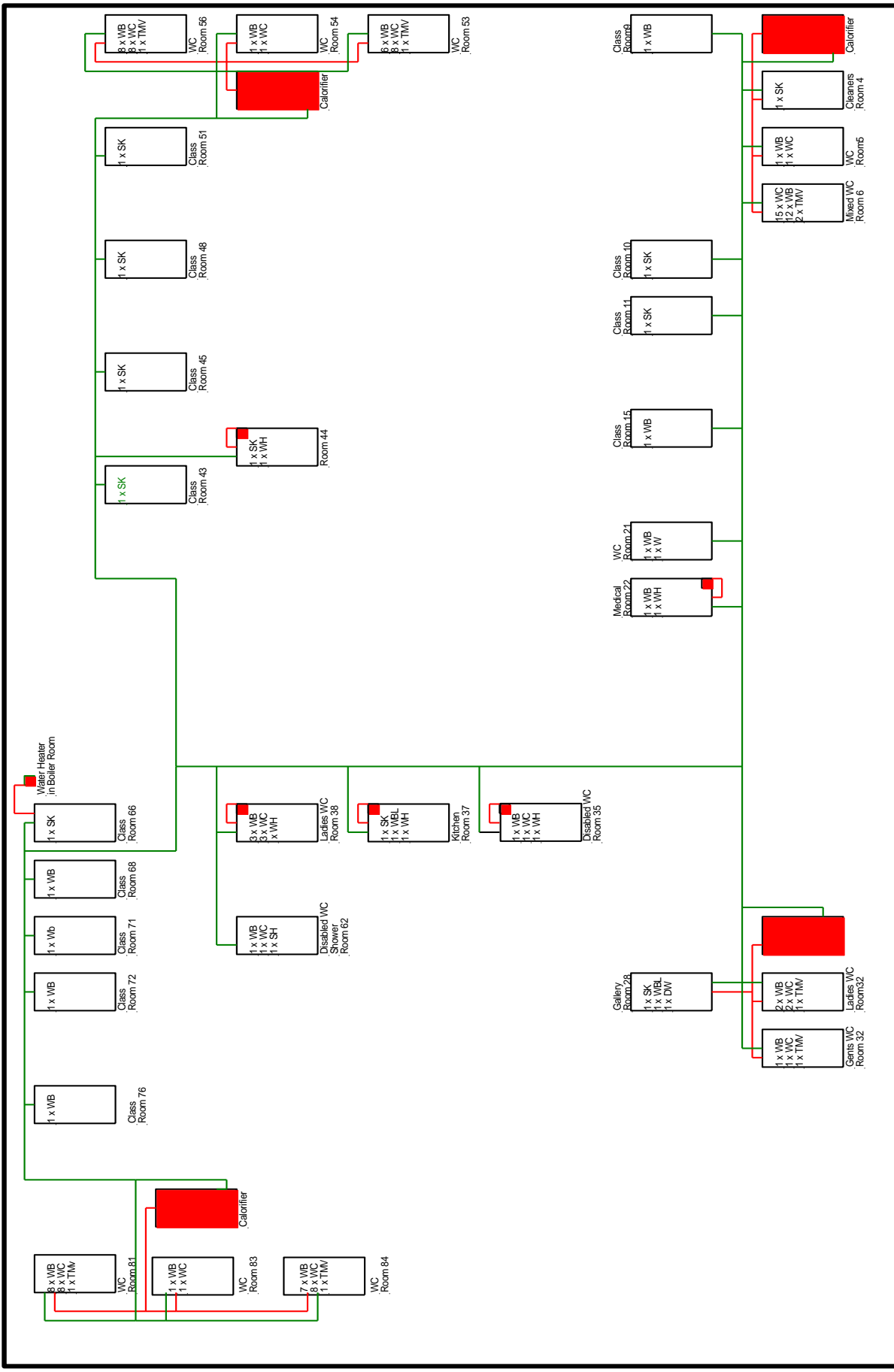
This drawing was prepared for the Legionellosis Risk Assessment Report and not intended as a scaled system drawing. Drawings are based on a visual inspection carried out during the Risk Assessment and information given at the time of this survey. Some assumptions have been made during the survey, therefore some assumptions may have been made in order to create this drawing.

This drawing is not to scale

FREESTON
Water Treatment

Freeston Water Treatment
Unit 1
Junction Business Centre
Cotton Road
Totton Southampton
SO40 3MW
Tel 02380689713

Site Reference/Date
Valentine Primary School
Admin / Reception Block
Hot Water Calorifier System Layout
11th April 2017



LEGEND

- WM = Washing Machine
- WB = Wash Basin
- SK = Sink
- WC = Toilet
- SH = Shower
- DW = Dishwasher
- UR = Urinal
- WH = Water Heater
- POUWH = Point Of Use Water Heater
- T.M.V = Thermostatic Mixing Valve / Blender Valve

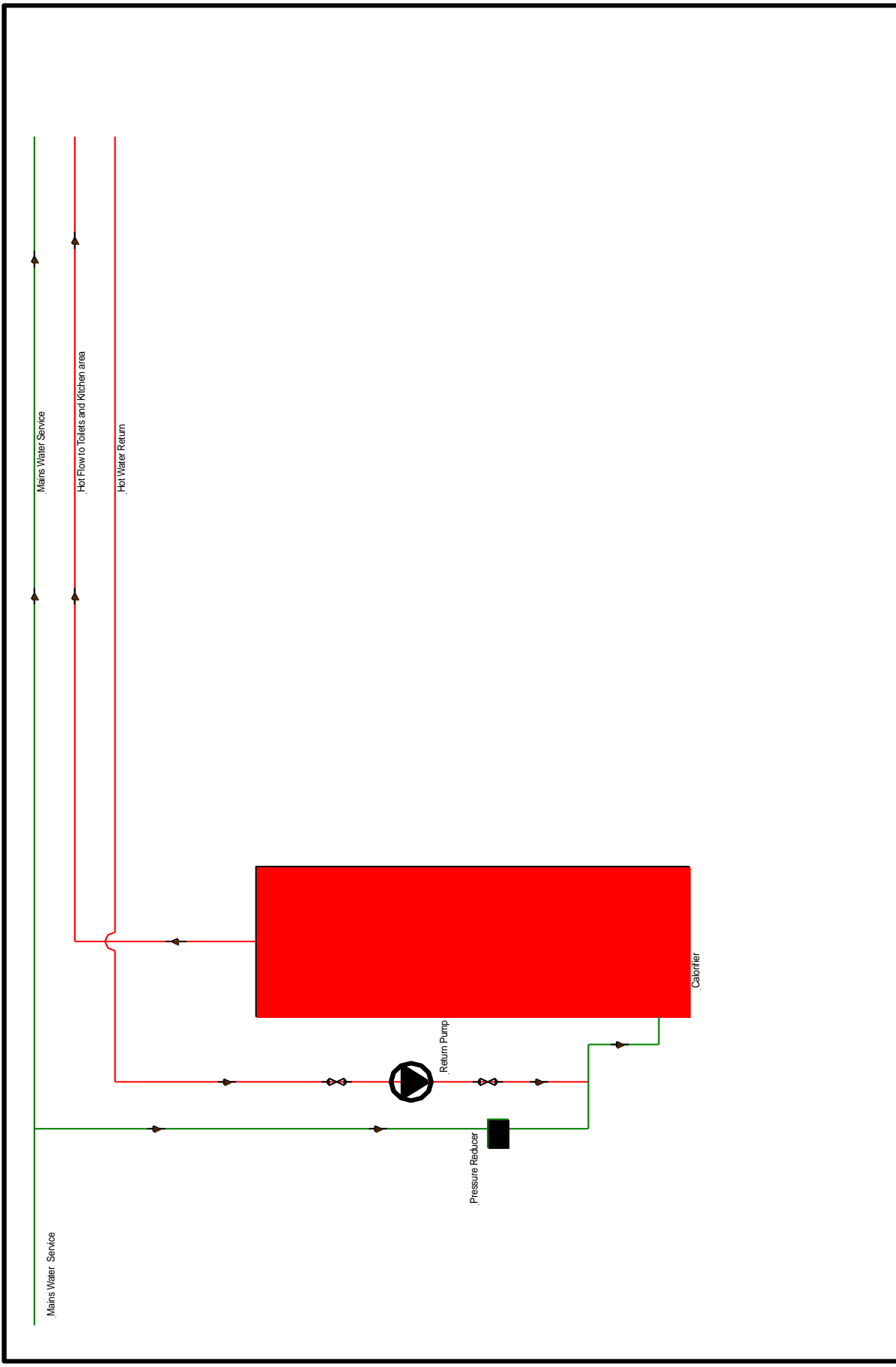
— Mains Water
— Down Service
— Hot Water
— Softened Water

This drawing was prepared for the Legionellosis Risk Assessment Report and not intended as a scaled system drawing. Drawings are based on a visual inspection carried out during the Risk Assessment and information given at the time of this survey. Some assumptions may have been made in order to create this drawing.

This drawing is not to scale

Freeston Water Treatment
 Unit 11
 Upton Business Centre
 Colyton Estate
 Totton Southampton
 SO40 3MW
 Tel 02380689713

Site Reference/Date
 Valentine Primary School
 Eastwood Block
 Assumed Water System Layout
 11th April 2017



LEGEND

WM = Washing Machine	DW = Dishwasher	█ Mains Water
WB = Wash Basin	UR = Urinal	█ Down Service
SK = Sink	WH = Water Heater	█ Hot Water
WC = Toilet	POUWH = Point Of Use Water Heater	█ Softened Water
SH = Shower	TMV = Thermostatic Mixing Valve / Blender Valve	

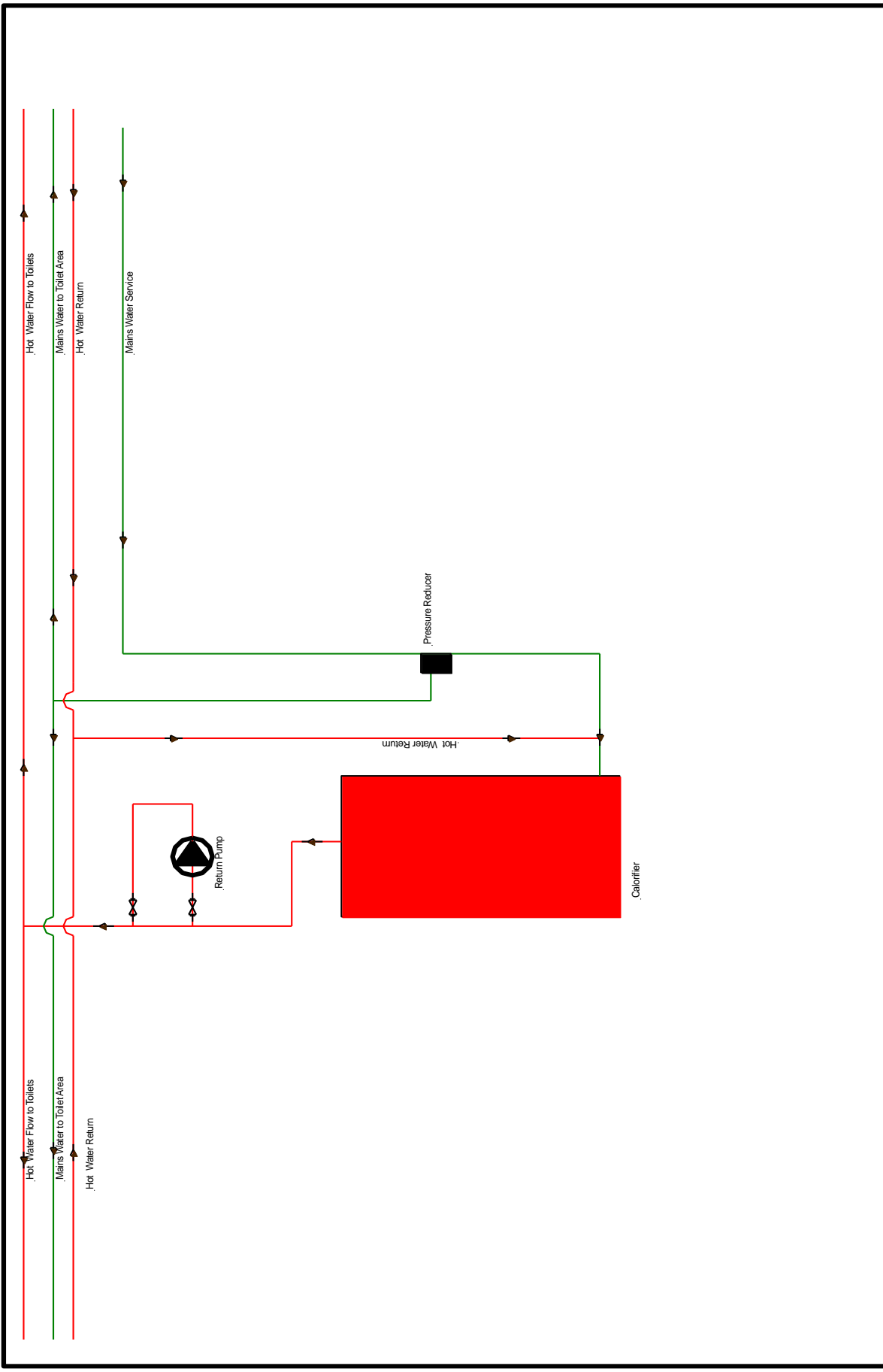
This drawing was prepared for the Legionellosis Risk Assessment Report and not intended as a scaled system drawing. Drawings are based on a visual inspection carried out during the Risk Assessment and information given at the time of this survey. Some assumptions may have been made in order to create this drawing.

This drawing is not to scale

FREESTON
Water Treatment

Freeston Water Treatment
Unit 1
Junction Business Centre
Cotton Estate
Totton Southampton
SO40 3MW
Tel 02380669713

Site Reference/Date
Valentine Primary School
Eastwood Block Art Gallery Area
Hot Water Calorifier in Room23
11th April 2017



LEGEND

.WM = Washing Machine	.DW = Dishwasher
.WB = Wash Basin	.UR = Urinal
.SK = Sink	.WH = Water Heater
.WC = Toilet	.POUWH = Point Of Use Water Heater
.SH = Shower	.TWV = Thermostatic Mixing Valve / Blender Valve

	Mains Water
	Down Service
	Hot Water
	Softened Water

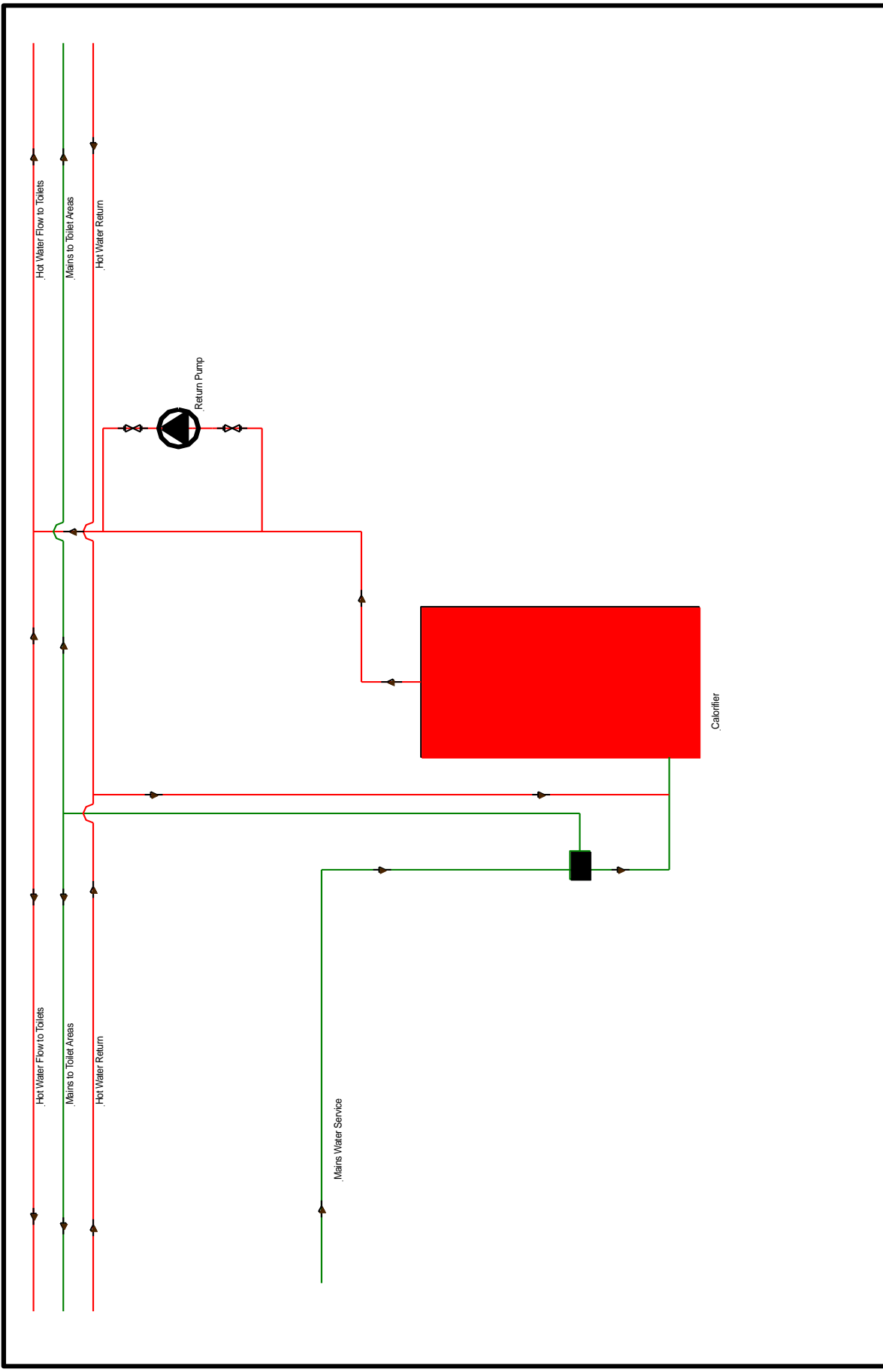
This drawing was prepared for the Legionellosis Risk Assessment Report and not intended as a scaled system drawing. Details shown are for information only during the Risk Assessment and information given at the time of the survey. Some areas of pipe work may not have been visible during the survey therefore some assumptions may have been made in order to create this drawing.

This drawing is not to scale

FREESTON
Water Treatment

Freeston Water Treatment Unit
Luxworth Business Centre
Totton Southampton
SO40 3WW
Tel 02380669713

Site Reference/Date
Valentine Primary School
Eastwood Block Hot Water Calorifier System
Serving Toilets Rooms 53,54,56
11th April 2017



LEGEND

.WM = Washing Machine	DW = Dishwasher
.WB = Wash Basin	UR = Urinal
SK = Sink	WH = Water Heater
.WC = Toilet	.POUWH = Point Of Use Water Heater
.SH = Shower	.TWV = Thermostatic Mixing Valve / Blender Valve

	Mains Water
	Down Service
	Hot Water
	Softened Water

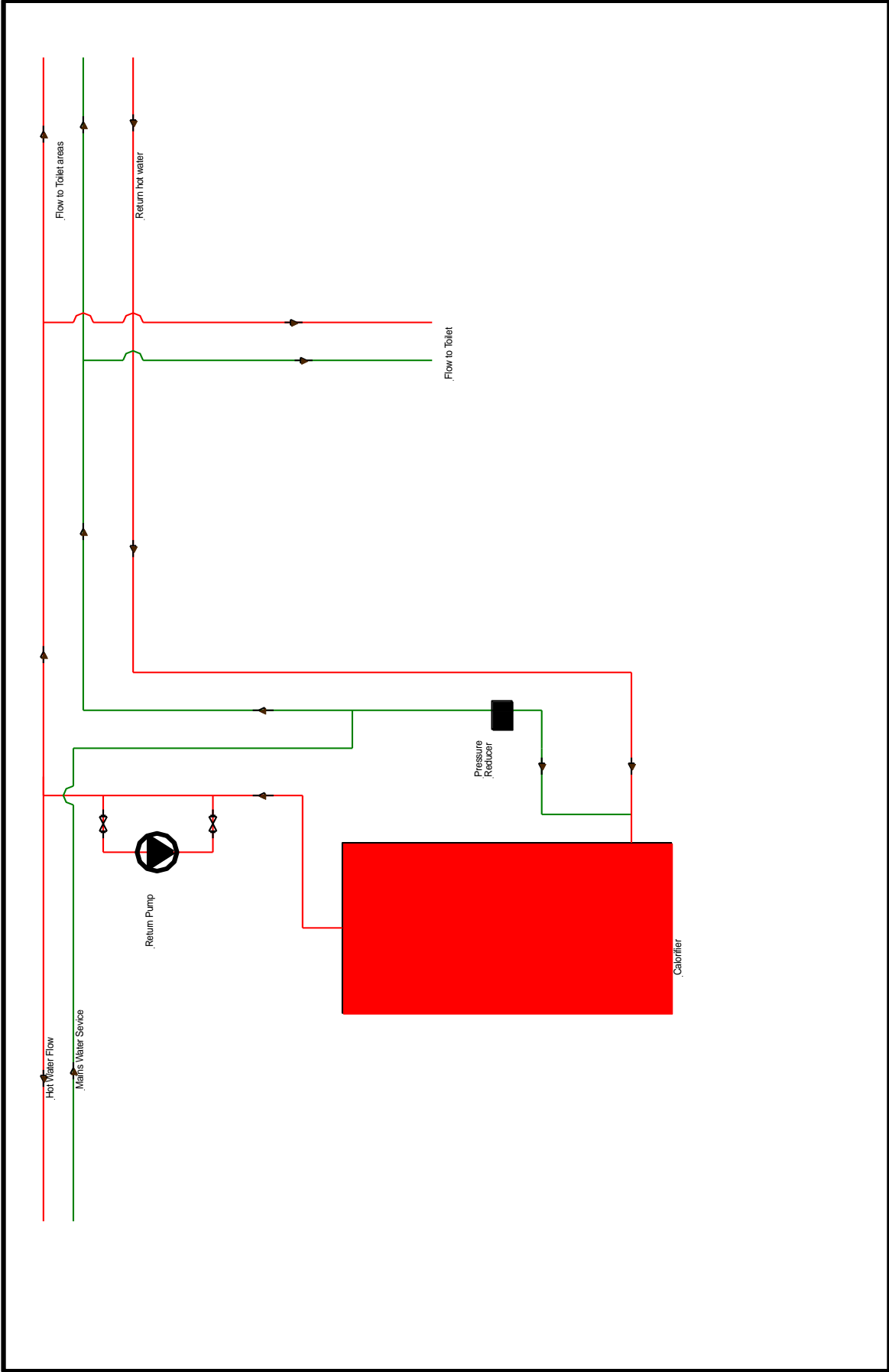
This drawing was prepared for the Legionellosis Risk Assessment Report and not intended as a scaled system drawing. Do not use this drawing for any other purpose during the Risk Assessment and information given at the time of the survey. Some areas of pipe work may not have been visible during the survey therefore some assumptions may have been made in order to create this drawing.

This drawing is not to scale

FREESTON
Water Treatment

Freeston Water Treatment
Unit 1
Luxworth Business Centre
Totton Industrial Estate
Totton Southampton
SO40 3WW
Tel 02380669713

Site Reference/Date
Valentine Primary School
Eastwood Block Hot Water Calorifier System
Serving Toilets 81, 82, 83, & 84
11th April 2017



LEGEND

WM = Washing Machine
 WB = Wash Basin
 SK = Sink
 WC = Toilet
 SH = Shower

DW = Dishwasher
 UR = Urinal
 WH = Water Heater
 POUWH = Point Of Use Water Heater
 TMV = Thermostatic Mixing Valve / Blender Valve

Flow to Toilet areas
 Return hot water
 Flow to Toilet
 Return Pump
 Pressure Reducer
 Calorifier

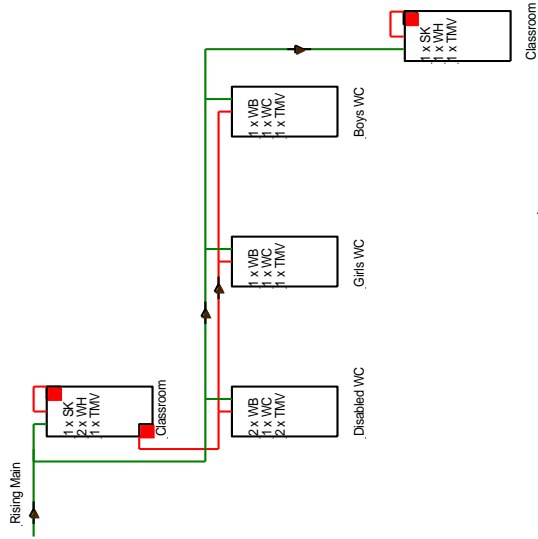
Hot Water Flow
 Mains Water Service

Freeston Water Treatment
 Lutworth Business Centre
 Calmore Industrial Estate
 Totton Southampton
 SO40 3WW
 Tel 0238068713

FREESTON
 Water Treatment

This drawing was prepared for the Legionellosis Risk-Assessment Report and not intended as a scaled system drawing. It is not a Risk Assessment and information given at the time of the survey. Some areas of pipe work may not have been visible during the survey therefore some assumptions may have been made in order to create this drawing.
 This drawing is not to scale

Site Reference / Date
 Valentine Primary School
 Room 4 Calorifier System Servicing Toilet
 11th April 2017



Site Reference/Date
 Valentine Primary School
 New Sticks Block
 Assumed Water System layout
 11th April 2017

Freston Water Treatment
 Unit 1
 Luvworth Business Centre
 Calmore Industrial Estate
 Totton Southampton
 SO40 3WW
 Tel: 02380669713



This drawing was prepared for the Legionellosis Risk Assessment Report and not intended as a scaled system drawing. It is the responsibility of the client to ensure that the Risk Assessment and information given at the time of the survey. Some areas of pipe work may not have been visible during the survey therefore some assumptions may have been made in order to create this drawing.
This drawing is not to scale

LEGEND
 .WM = Washing Machine
 .WB = Wash Basin
 .SK = Sink
 .WC = Toilet
 .SH = Shower
 .DW = Dishwasher
 .UR = Urinal
 = Water Heater
 .POUWH = Point Of Use Water Heater
 .TMV = Thermostatic Mixing Valve / Blender Valve

Mains Water
 Down Service
 Hot Water
 Softened Water