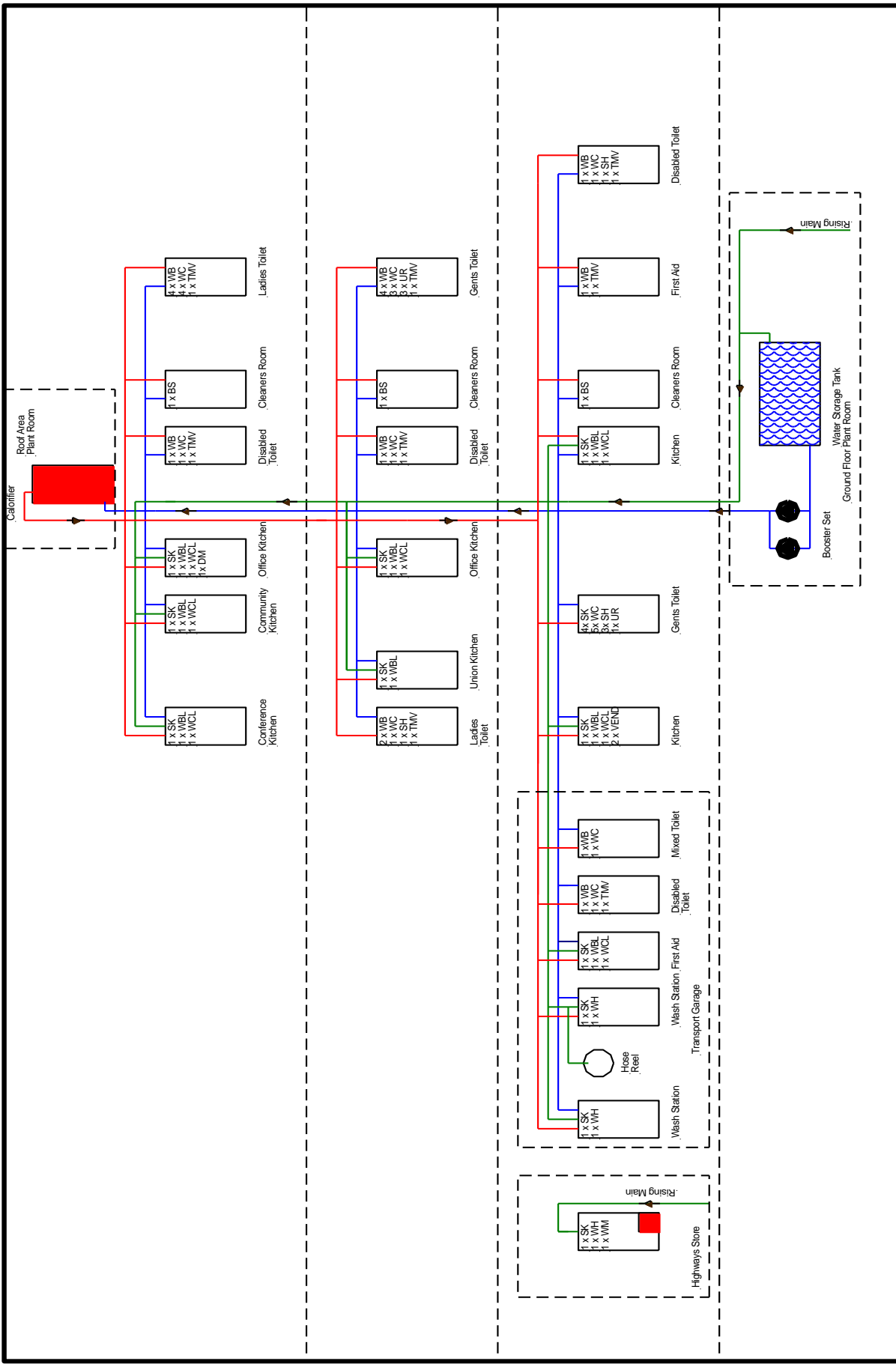


City Depot Building

Water System Drawings

30th April 2018



LEGEND

WM = Washing Machine	DW = Dishwasher	WB = Water Boiler
WB = Wash Basin	UR = Urinal	WC = Water Cooler
SK = Sink	WH = Water Heater	DM = Drinks Machine
WC = Toilet	POUWH = Point Of Use Water Heater	
SH = Shower	TMV = Thermostatic Mixing Valve / Blender Valve	

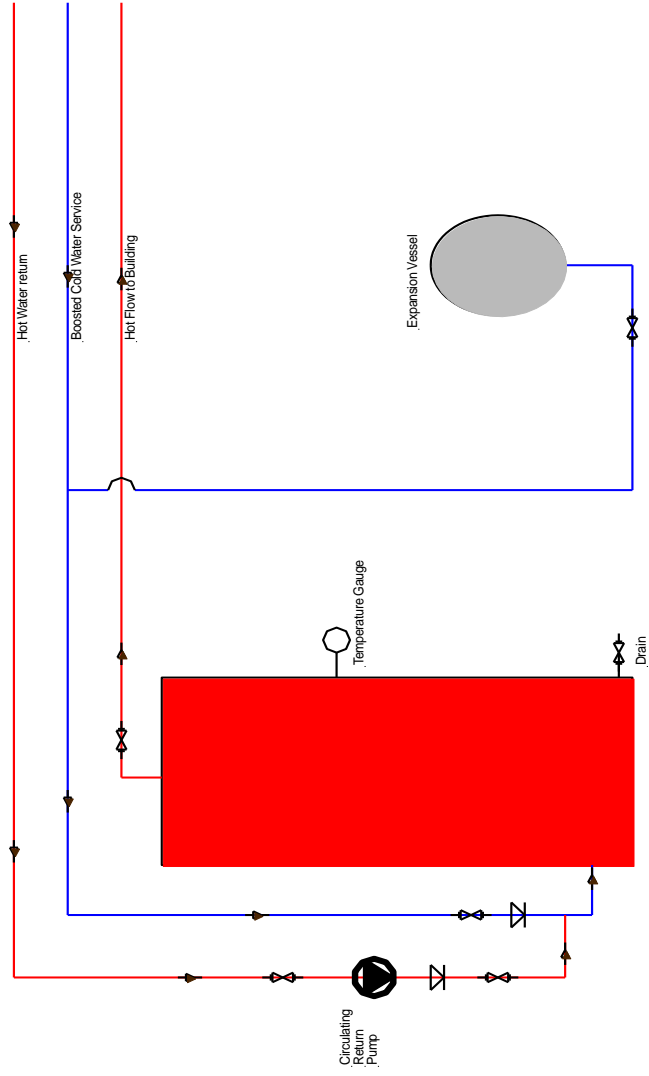
This drawing was prepared for the Legionellosis Risk Assessment Report and not intended as a scaled system drawing. Drawings are based on a visual inspection carried out during the Risk Assessment and information given at the time of this survey. Surveyors are not responsible for the accuracy of the information survey, therefore some assumptions may have been made in order to create this drawing.

This drawing is not to scale

Site Reference/Date
 City Depot Building
 Assumed Water System Layout
 30th April 2018

Freeston Water Treatment
 Unit 11
 Unworth Business Centre
 Colyton Estate
 Colyton Southampton
 SO40 3MW
 Tel 02380689713





LEGEND
 .WM = Washing Machine
 .WB = Wash Basin
 .SK = Sink
 .WC = Toilet
 .SH = Shower
 .DW = Dishwasher
 .UR = Urinal
 .WH = Water Heater
 .POUWH = Point Of Use Water Heater
 .TMV = Thermostatic Mixing Valve / Blender Valve

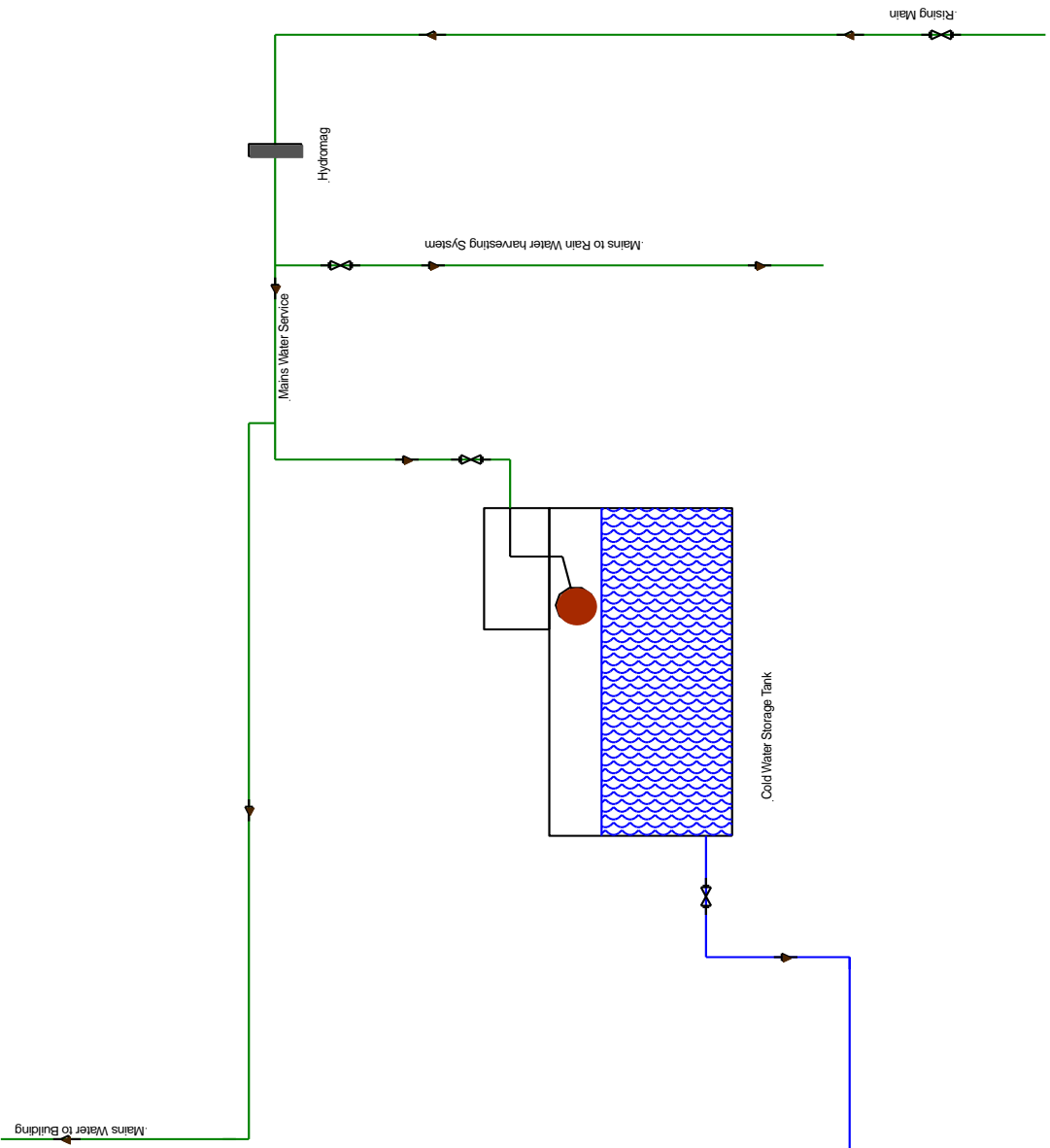
- █ Mains Water
- █ Down Service
- █ Hot Water
- █ Softened Water

This drawing was prepared for the Legionellosis Risk Assessment Report and not intended as a scaled system drawing. Drawings are based on a visual inspection carried out during the Risk Assessment and information given at the time of the survey. Some assumptions may have been made in order to create this drawing.

This drawing is not to scale

FREESTON
Water Treatment
 Unit 1
 Junorth Business Centre
 Colton Estate
 Colton Southampton
 SO40 3MW
 Tel 02380689713

Site Reference / Date
 City Depot Building
 Hot Water Storage
 Roof Plant Room
 30th April 2018



Site Reference / Date
 City Depot Building
 Cold Water Storage
 Ground Floor Plant Room
 30th April 2018

Freeston Water Treatment
 Unit 1
 Unworn Business Centre
 Colton Estate
 Colton Southampton
 SO40 3MW
 Tel 02380689713



This drawing was prepared for the Legionellosis Risk Assessment Report and not intended as a scaled system drawing. Drawings are based on a visual inspection carried out during the Risk Assessment and information given at the time of this survey. Some assumptions may have been made in order to create this drawing. **This drawing is not to scale**

- LEGEND**
- WM = Washing Machine
 - WB = Wash Basin
 - SK = Sink
 - WC = Toilet
 - SH = Shower
 - DW = Dishwasher
 - UR = Urinal
 - WH = Water Heater
 - POUWH = Point Of Use Water Heater
 - TMV = Thermostatic Mixing Valve / Blender Valve
- Mains Water (Green line)
 - Down Service (Blue line)
 - Hot Water (Red line)
 - Softened Water (Green line)