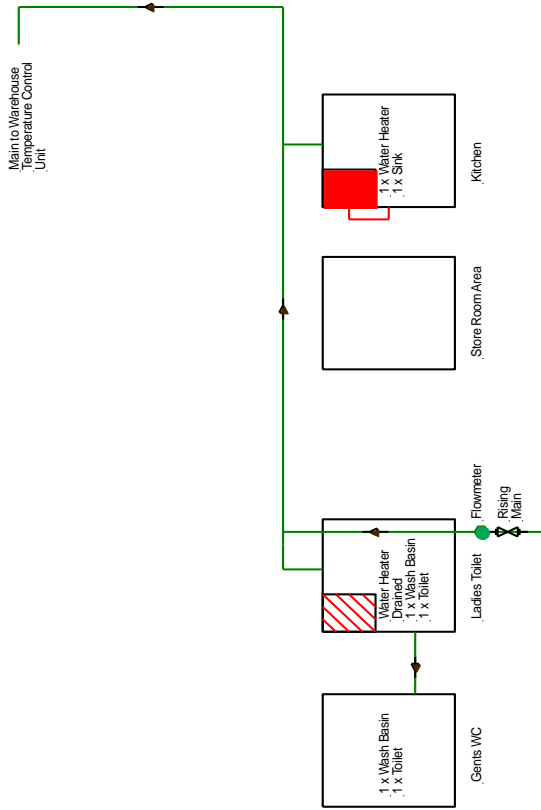
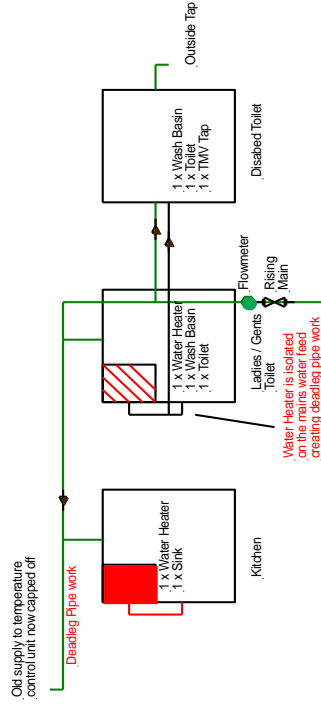


**Collection Management Centre
Units 29-31 City Industrial Park
Water System Drawings
25th September 2018**



Unit 29



Unit 31

LEGEND

- .WM = Washing Machine
- .WB = Wash Basin
- .SK = Sink
- .WC = Toilet
- .SH = Shower
- .DW = Dishwasher
- .UR = Urinal
- .WH = Water Heater
- .POUWH = Point Of Use Water Heater
- .TWV = Thermostatic Mixing Valve / Blender Valve

- Mains Water
- Down Service
- Hot Water
- Softened Water

This drawing was prepared for the Legionella Risk Assessment Report and not intended as a scaled system drawing. It is for information only and should not be used during the Risk Assessment and information given at the time of the survey. Some areas of pipe work may not have been visible during the survey therefore some assumptions may have been made in order to create this drawing.

This drawing is not to scale

Freeston Water Treatment Unit
Luvworth Business Centre
Calmore Industrial Estate
Totton Southampton
SO40 3WW
Tel 02380668713



Site Reference/Date
Collection Management Centre
Units 29-31 City Industrial Park
Domestic Water System Layout
25th September 2018