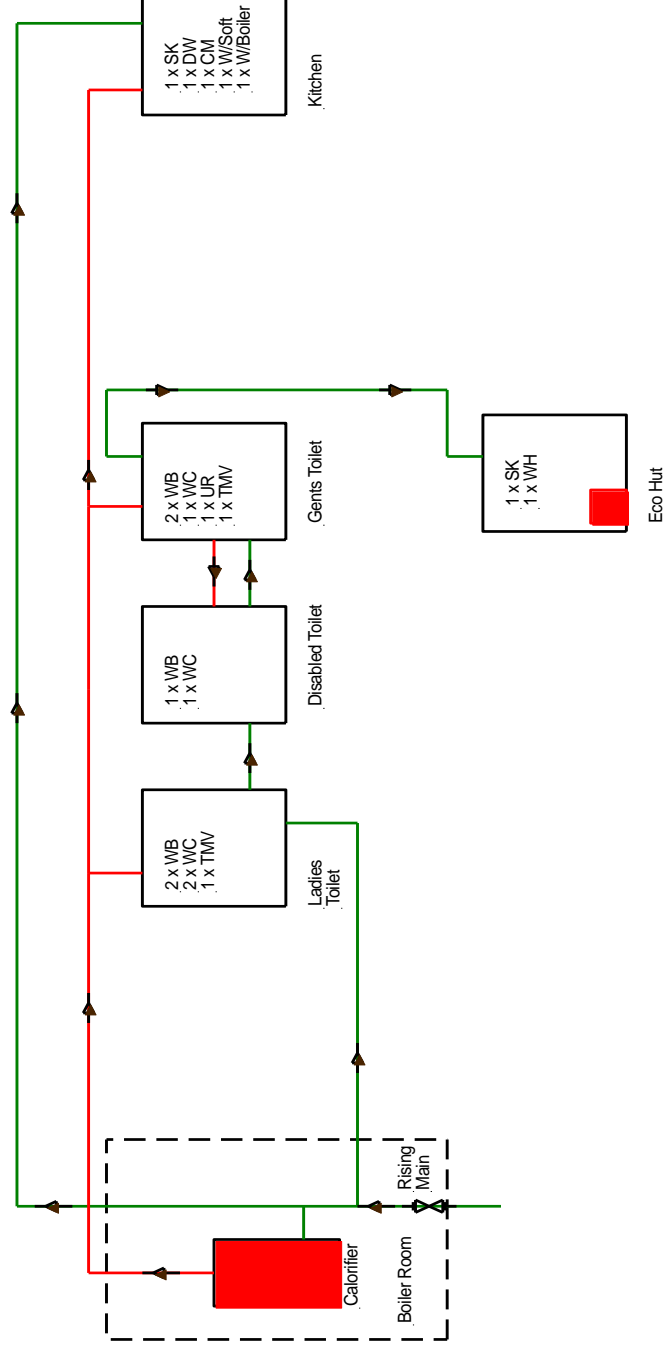


Hawthorns Study Centre

Water System Drawings

8th June 2018



LEGEND

- WM = Washing Machine
- WB = Wash Basin
- SK = Sink
- WC = Toilet
- SH = Shower
- DW = Dishwasher
- UR = Urinal
- WH = Water Heater
- POUWH = Point Of Use Water Heater
- TMV = Thermostatic Mixing Valve / Blender Valve
- CM = Coffee Machine

- █ Mains Water
- █ Down Service
- █ Hot Water
- █ Softened Water

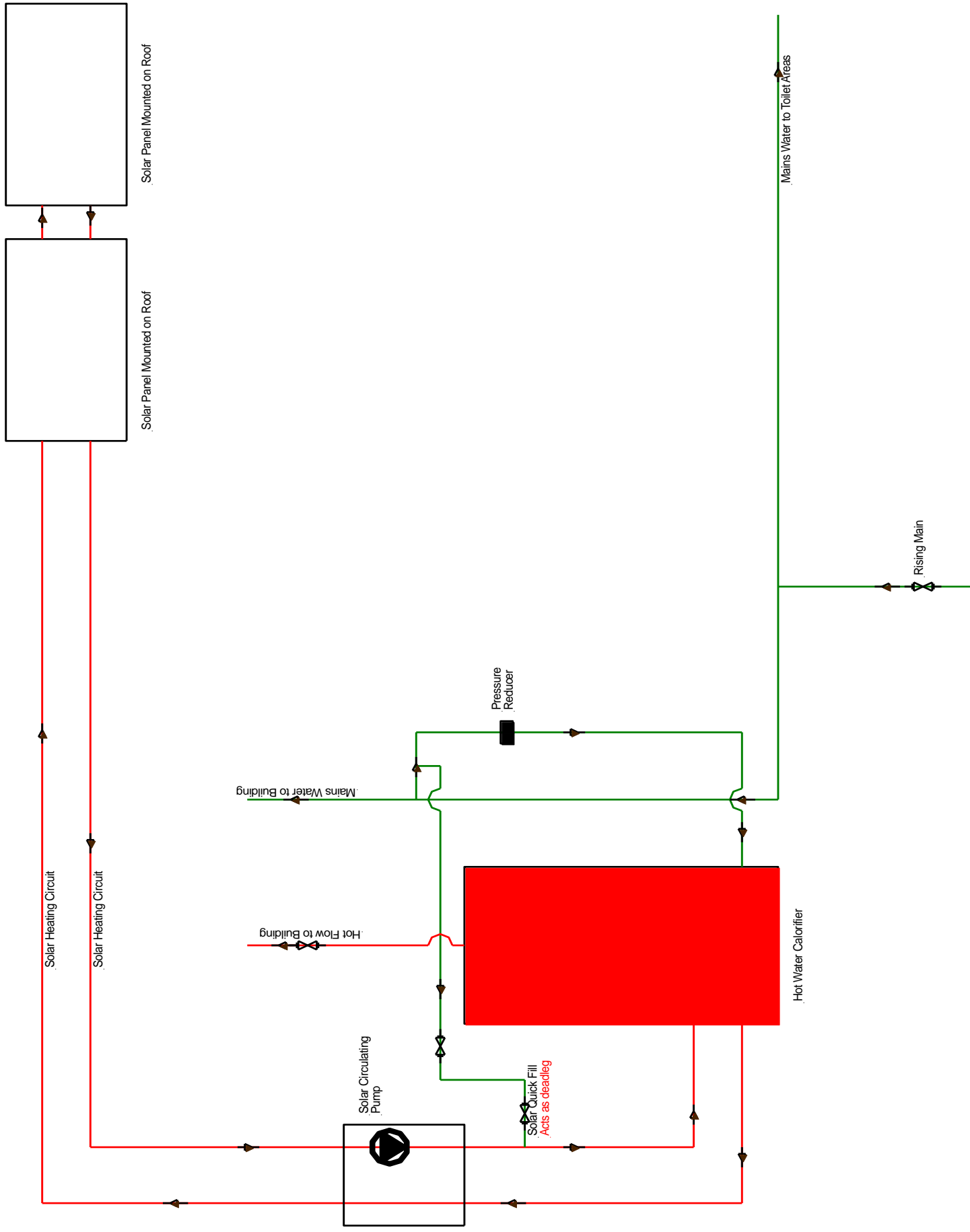
This drawing was prepared for the Legionellosis Risk Assessment Report and not intended as a scaled system drawing. Drawings are based on a visual inspection carried out during the Risk Assessment and information given at the time of the survey. Some areas of pipe work may not have been visible during the survey therefore some assumptions may have been made in order to create this drawing.

This drawing is not to scale



Freeston Water Treatment
 Unit 1
 Luworth Business Centre
 Calmore Industrial Estate
 Totton Southampton
 SO40 3WW
 Tel 02380669713

Site Reference / Date
 Hawthorne Study Centre
 Domestic Water System Layout
 8th June 2018



LEGEND

- WM = Washing Machine
- WB = Wash Basin
- SK = Sink
- WC = Toilet
- SH = Shower
- DW = Dishwasher
- UR = Urinal
- WH = Water Heater
- POUWH = Point Of Use Water Heater
- TMV = Thermostatic Mixing Valve / Blender Valve

- █ Mains Water
- █ Down Service
- █ Hot Water
- █ Softened Water

This drawing was prepared for the Legionellosis Risk Assessment Report and not intended as a scaled system drawing. Drawings are based on a visual inspection carried out during the Risk Assessment and information given at the time of the survey. Some areas of pipe work may not have been visible during the survey therefore some assumptions may have been made in order to create this drawing.

This drawing is not to scale



Freeston Water Treatment
 Unit 1
 Lulworth Business Centre
 Calmore Industrial Estate
 Totton Southampton
 SO40 3WW
 Tel 02380669713

Site Reference / Date
 Hawthorne Study Centre
 Domestic Water System Boiler Room
 8th June 2018