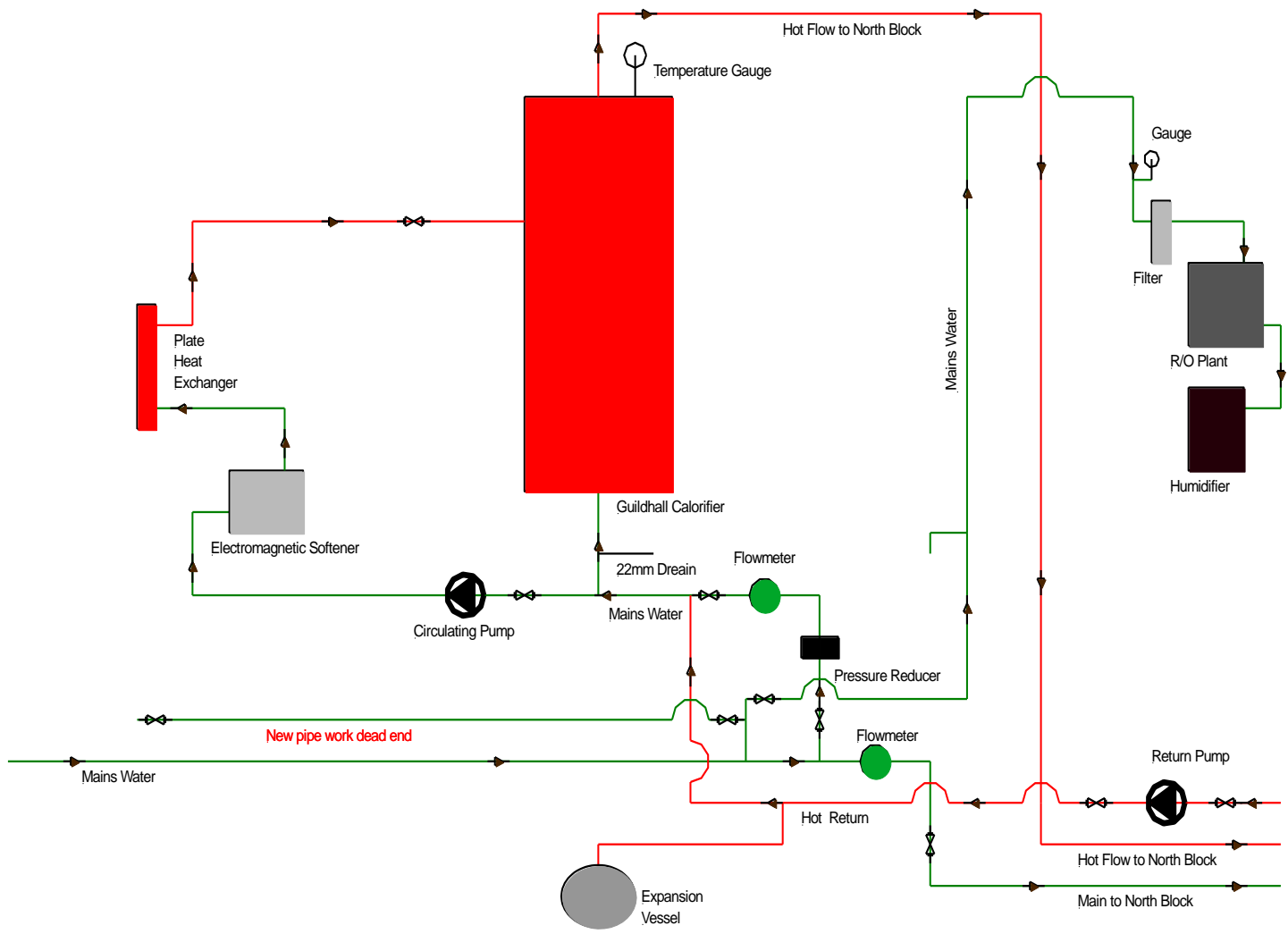


**Southampton Civic Centre  
North Block**

**Water System Drawings**

**4<sup>th</sup> June 2018**



### KEY

- Ball A Fix Valve
- bf
- Check Valve
- Laboratory Tap
- Blender Valve
- Pump
- Isolating Valve
- Safety Valve
- Drinking Fountain
- Shower
- Mains Water Service
- Cold Water Down Service
- Hot Flow/Return

### Note

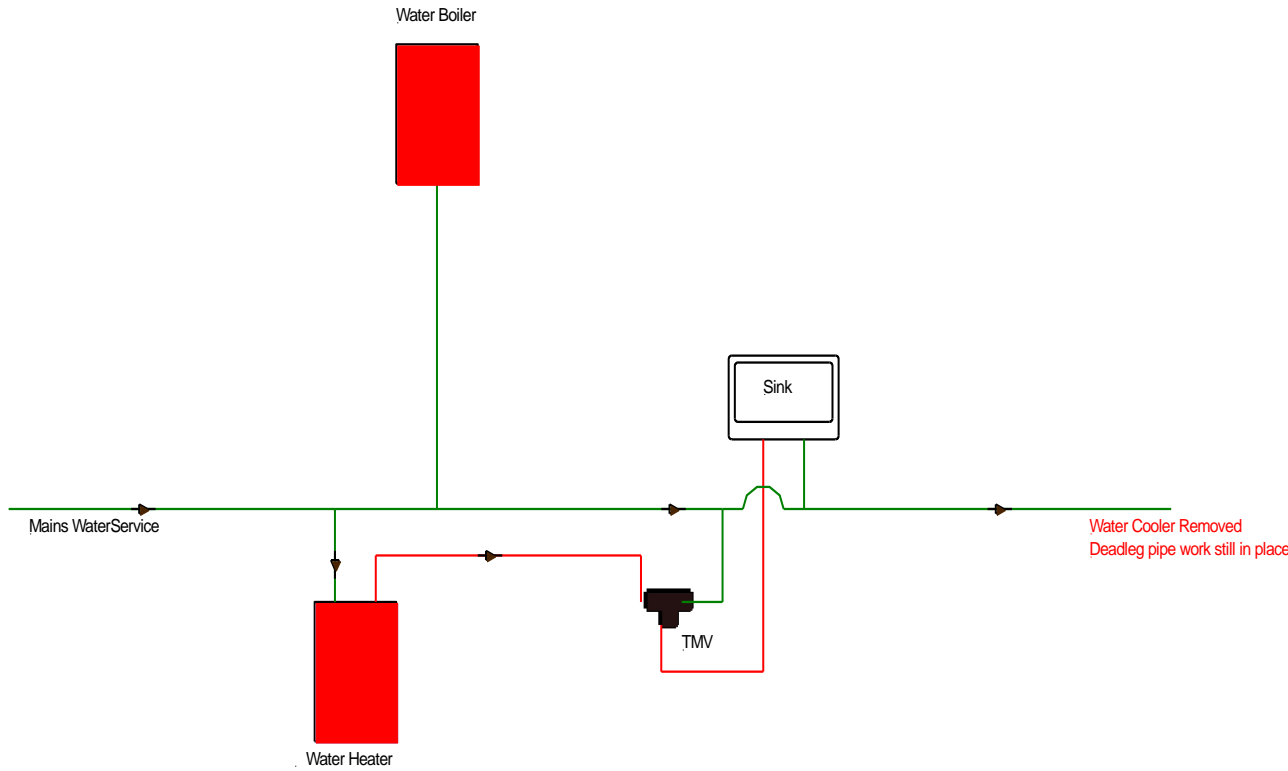
This drawing was prepared for the Legionellosis Risk Assessment Report and not intended as a scaled system drawing. Drawings are based on a visual inspection carried out during the Risk Assessment and information given at the time of the survey. Some areas of pipe work may not have been visible during the survey therefore some assumptions may have been made in order to create this drawing. This drawing is not to scale.

**Freeston Water Treatment Unit 1**  
**Lulworth Business Centre**  
**Calmore Industrial Estate**  
**Totton Southampton**  
**SO40 3WW**  
**Tel 02380669713**

Site Ref  
 Southampton Civic Centre  
 North Block Calorifier  
 Main Boiler House

Date 4th June 2018

Drawing No.1



**KEY**

-  Ball A Fix Valve
-  Check Valve
-  Laboratory Tap
-  Blender Valve
-  Pump
-  Isolating Valve
-  Safety Valve
-  Drinking Fountain
-  Shower
-  Mains Water Service
-  Cold Water Down Service
-  Hot Flow/Return

**Note**

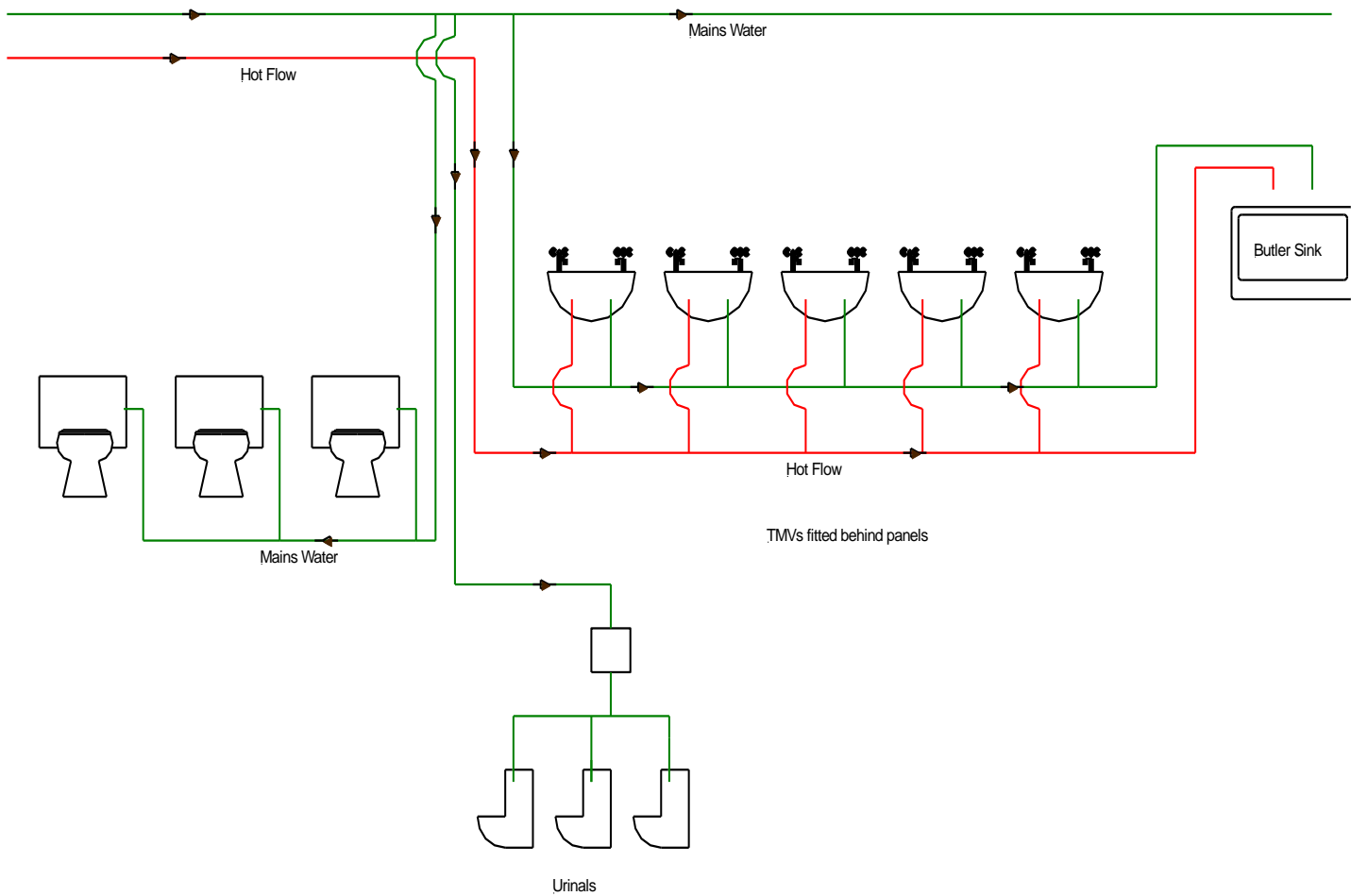
This drawing was prepared for the Legionellosis Risk Assessment Report and not intended as a scaled system drawing. Drawings are based on a visual inspection carried out during the Risk Assessment and information given at the time of the survey. Some areas of pipe work may not have been visible during the survey therefore some assumptions may have been made in order to create this drawing. This drawing is not to scale.

*Freeston Water Treatment  
Unit 1  
Lulworth Business Centre  
Calmore Industrial Estate  
Totton Southampton  
SO40 3WW  
Tel 02380669713*

Site Ref  
Southampton Civic Centre  
North Block Lower Ground  
Room 319 Kitchen Area

Date 4th June 2018

Drawing No.2



## KEY

-  Ball A Fix Valve
-  bf
-  Check Valve
-  Laboratory Tap
-  Blender Valve
-  Pump
-  Isolating Valve
-  Safety Valve
-  Drinking Fountain
-  Shower
-  Mains Water Service
-  Cold Water Down Service
-  Hot Flow/Return

### Note

This drawing was prepared for the Legionellosis Risk Assessment Report and not intended as a scaled system drawing. Drawings are based on a visual inspection carried out during the Risk Assessment and information given at the time of the survey. Some areas of pipe work may not have been visible during the survey therefore some assumptions may have been made in order to create this drawing. This drawing is not to scale.

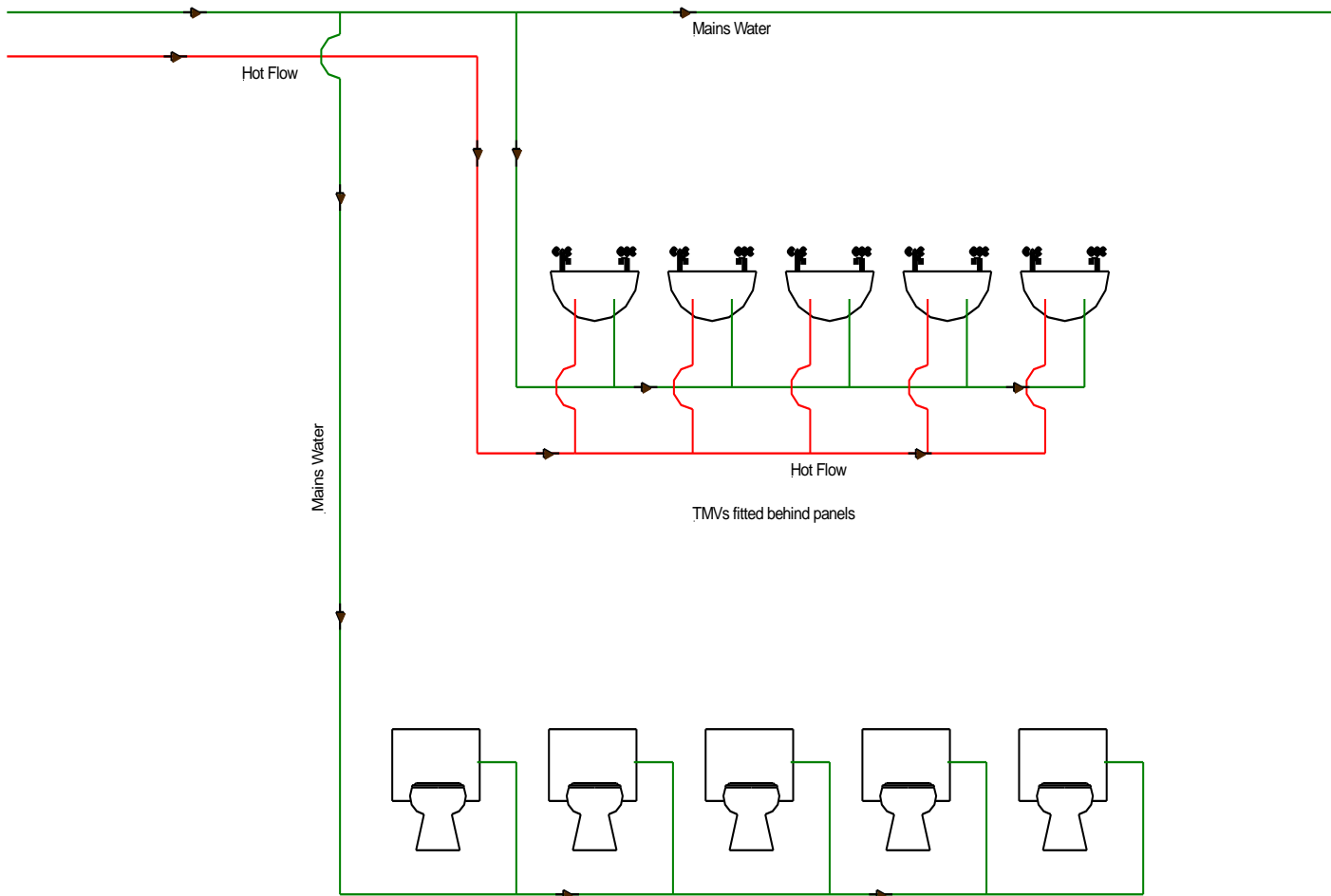
*Freeston Water Treatment  
Unit 1  
Lulworth Business Centre  
Calmore Industrial Estate  
Totton Southampton  
SO40 3WW  
Tel 02380669713*

Site Ref  
Southampton Civic Centre  
North Block Lower Ground  
Staff Gents Toilet Room 309

Date 4th June 2018

Drawing No.3

Lower Ground Gents Toilet Staff Room 309



**KEY**

-  Ball A Fix Valve
-  bf
-  Check Valve
-  Laboratory Tap
-  Blender Valve
-  Pump
-  Isolating Valve
-  Safety Valve
-  Drinking Fountain
-  Shower
-  Mains Water Service
-  Cold Water Down Service
-  Hot Flow/Return

**Note**

This drawing was prepared for the Legionellosis Risk Assessment Report and not intended as a scaled system drawing. Drawings are based on a visual inspection carried out during the Risk Assessment and information given at the time of the survey. Some areas of pipe work may not have been visible during the survey therefore some assumptions may have been made in order to create this drawing. This drawing is not to scale.

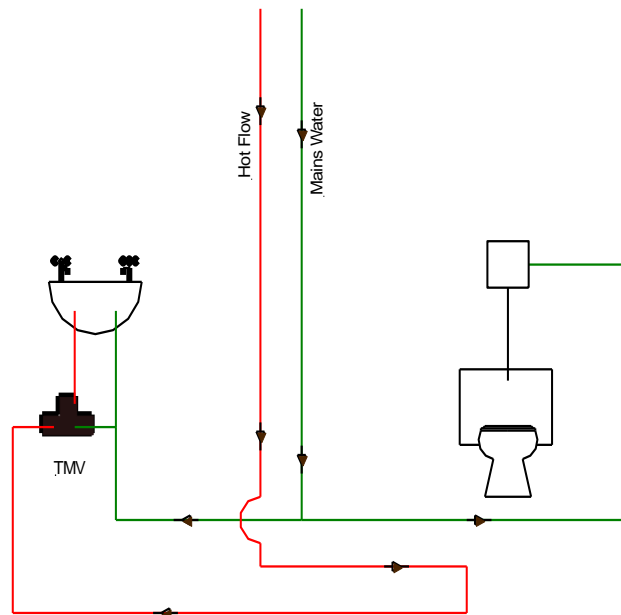
*Freeston Water Treatment Unit 1  
Lulworth Business Centre  
Calmore Industrial Estate  
Totton Southampton  
SO40 3WW  
Tel 02380669713*

Site Ref  
Southampton Civic Centre  
North Block Lower Ground  
Staff Ladies Toilet Room 308

Date 4th June 2018

Drawing No.4

Lower Ground Staff Ladies Toilet Room 308



Possibly Infrequently Used Outlets

Lower Ground Disabled Toilet Room 307

## KEY

-  Ball A Fix Valve
-  bf
-  Check Valve
-  Laboratory Tap
-  Blender Valve
-  Pump
-  Isolating Valve
-  Safety Valve
-  Drinking Fountain
-  Shower
-  Mains Water Service
-  Cold Water Down Service
-  Hot Flow/Return

### Note

This drawing was prepared for the Legionellosis Risk Assessment Report and not intended as a scaled system drawing. Drawings are based on a visual inspection carried out during the Risk Assessment and information given at the time of the survey. Some areas of pipe work may not have been visible during the survey therefore some assumptions may have been made in order to create this drawing. This drawing is not to scale.

**Freeston Water Treatment  
Unit 1  
Lulworth Business Centre  
Calmore Industrial Estate  
Totton Southampton  
SO40 3WW  
Tel 02380669713**

Site Ref  
Southampton Civic Centre  
North Block Lower Ground  
Disabled Toilet Room 307

Date 4th June 2018

Drawing No.5

## KEY

-  Ball A Fix Valve
-  bf
-  Check Valve
-  Laboratory Tap
-  Blender Valve
-  Pump
-  Isolating Valve
-  Safety Valve
-  Drinking Fountain
-  Shower
-  Mains Water Service
-  Cold Water Down Service
-  Hot Flow/Return

### Note

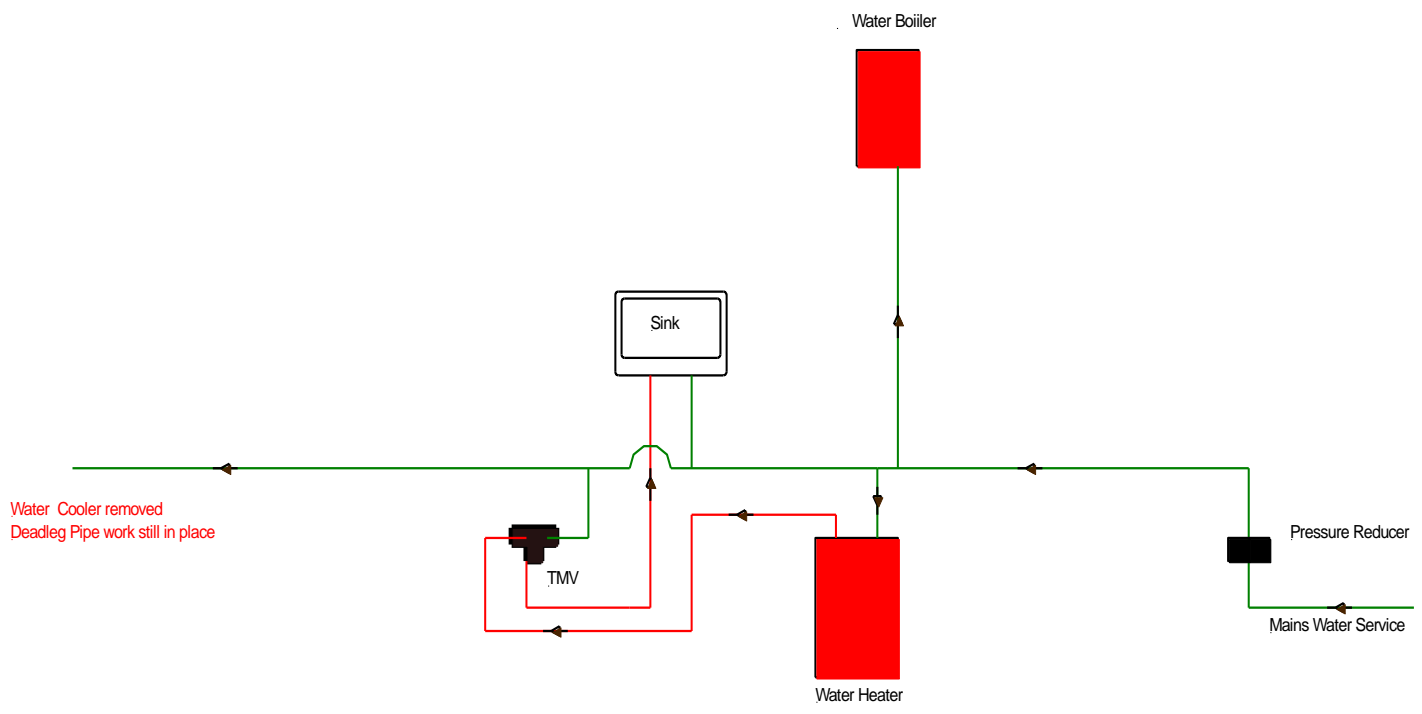
This drawing was prepared for the Legionellosis Risk Assessment Report and not intended as a scaled system drawing. Drawings are based on a visual inspection carried out during the Risk Assessment and information given at the time of the survey. Some areas of pipe work may not have been visible during the survey therefore some assumptions may have been made in order to create this drawing. This drawing is not to scale.

*Freeston Water Treatment  
Unit 1  
Lulworth Business Centre  
Calmore Industrial Estate  
Totton Southampton  
SO40 3WW  
Tel 02380669713*

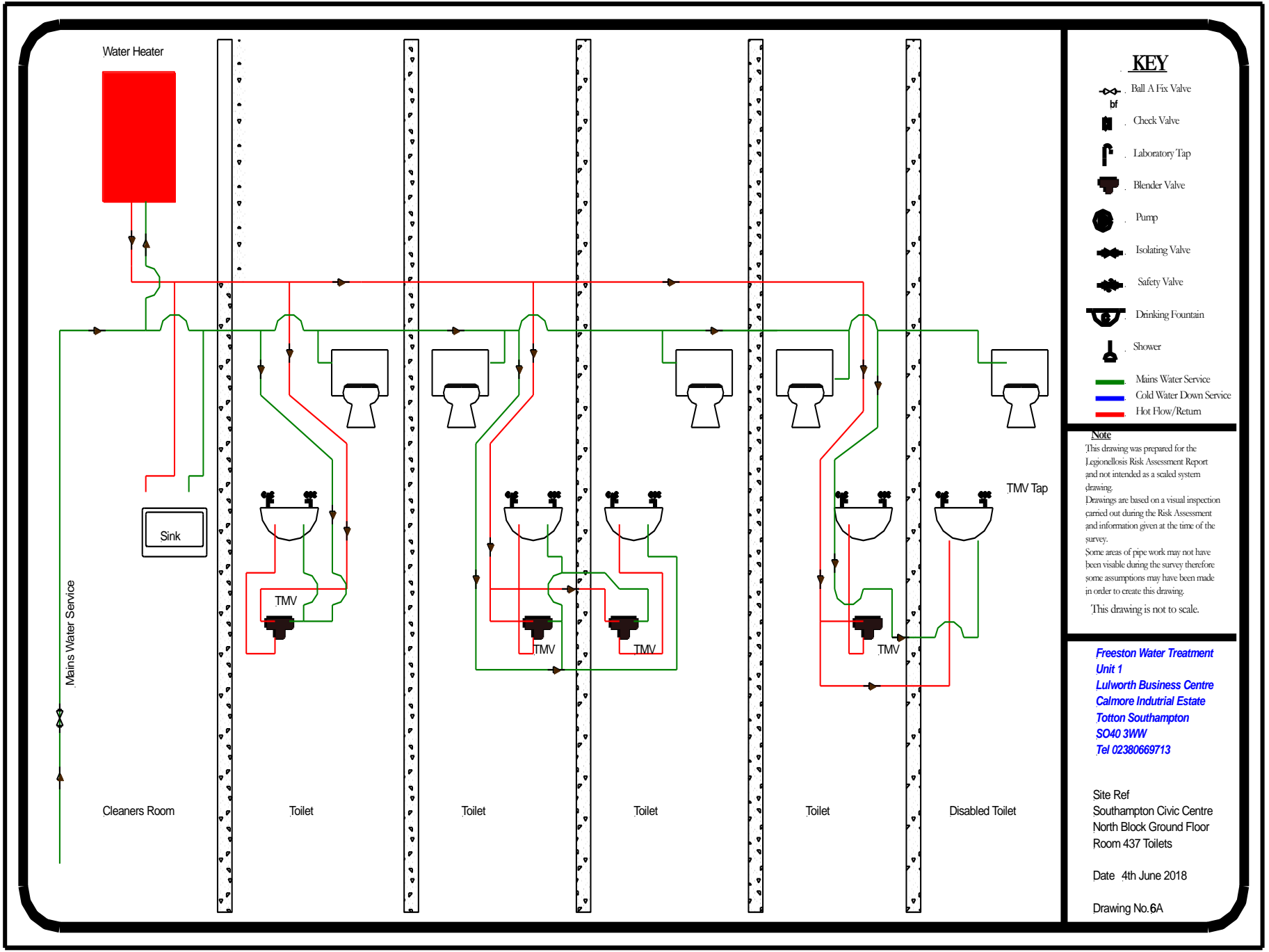
Site Ref  
Southampton Civic Centre  
North Block Ground Floor  
Kitchen 453

Date 4th June 2018

Drawing No.6



Water Cooler removed  
Deadleg Pipe work still in place



**KEY**

-  Ball A Fix Valve
-  bf
-  Check Valve
-  Laboratory Tap
-  Blender Valve
-  Pump
-  Isolating Valve
-  Safety Valve
-  Drinking Fountain
-  Shower
-  Mains Water Service
-  Cold Water Down Service
-  Hot Flow/Return

**Note**

This drawing was prepared for the Legionellosis Risk Assessment Report and not intended as a scaled system drawing. Drawings are based on a visual inspection carried out during the Risk Assessment and information given at the time of the survey. Some areas of pipe work may not have been visible during the survey therefore some assumptions may have been made in order to create this drawing. This drawing is not to scale.

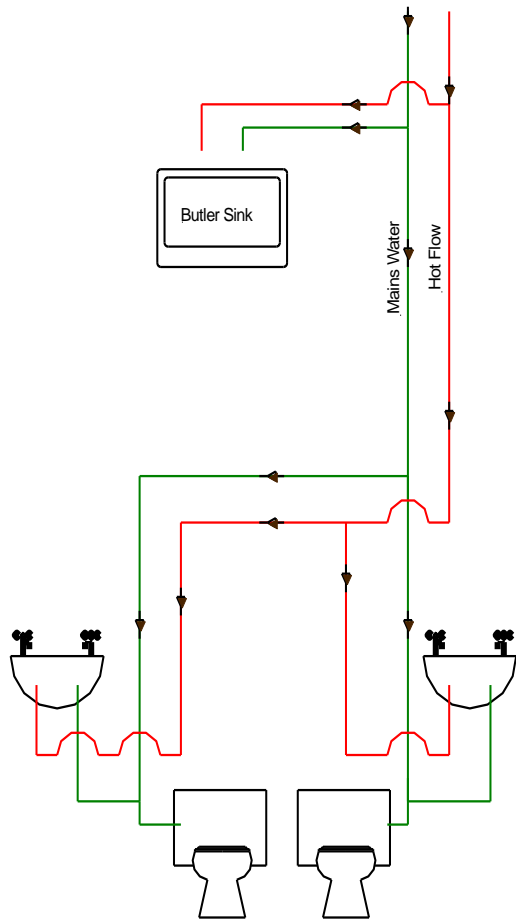
*Freeston Water Treatment Unit 1  
Lulworth Business Centre  
Calmore Industrial Estate  
Totton Southampton  
SO40 3WW  
Tel 02380669713*

Site Ref  
Southampton Civic Centre  
North Block Ground Floor  
Room 437 Toilets

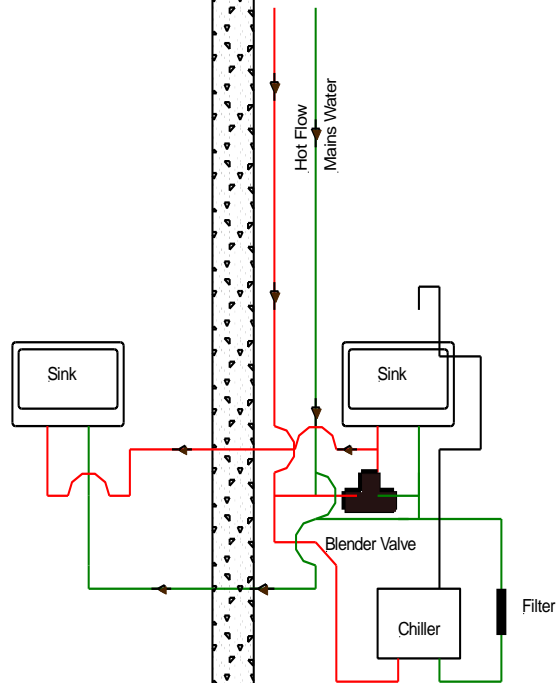
Date 4th June 2018

Drawing No.6A





Education Room Room 420



Room 422

Staff Room Room 423

### KEY

-  Ball A Fix Valve
-  bf
-  Check Valve
-  Laboratory Tap
-  Blender Valve
-  Pump
-  Isolating Valve
-  Safety Valve
-  Drinking Fountain
-  Shower
-  Mains Water Service
-  Cold Water Down Service
-  Hot Flow/Return

### Note

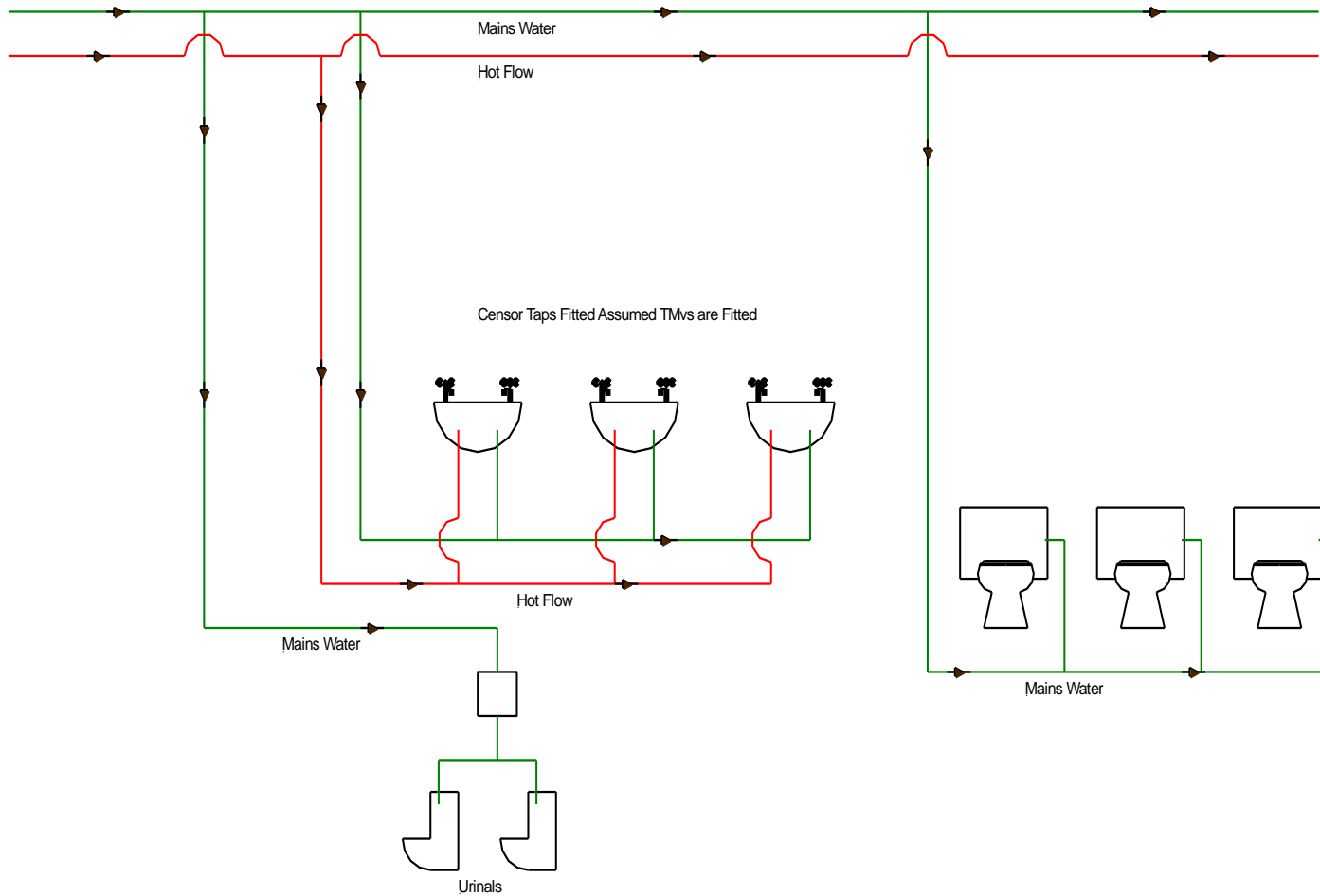
This drawing was prepared for the Legionellosis Risk Assessment Report and not intended as a scaled system drawing. Drawings are based on a visual inspection carried out during the Risk Assessment and information given at the time of the survey. Some areas of pipe work may not have been visible during the survey therefore some assumptions may have been made in order to create this drawing. This drawing is not to scale.

*Freeston Water Treatment  
Unit 1  
Lulworth Business Centre  
Calmore Industrial Estate  
Totton Southampton  
SO40 3WW  
Tel 02380669713*

Site Ref  
Southampton Civic Centre  
North Block Ground Floor  
Rooms 420,422 & 423

Date 4th June 2018

Drawing No.7



**KEY**

-  Ball A Fix Valve
-  bf
-  Check Valve
-  Laboratory Tap
-  Blender Valve
-  Pump
-  Isolating Valve
-  Safety Valve
-  Drinking Fountain
-  Shower
-  Mains Water Service
-  Cold Water Down Service
-  Hot Flow/Return

**Note**

This drawing was prepared for the Legionellosis Risk Assessment Report and not intended as a scaled system drawing. Drawings are based on a visual inspection carried out during the Risk Assessment and information given at the time of the survey. Some areas of pipe work may not have been visible during the survey therefore some assumptions may have been made in order to create this drawing. This drawing is not to scale.

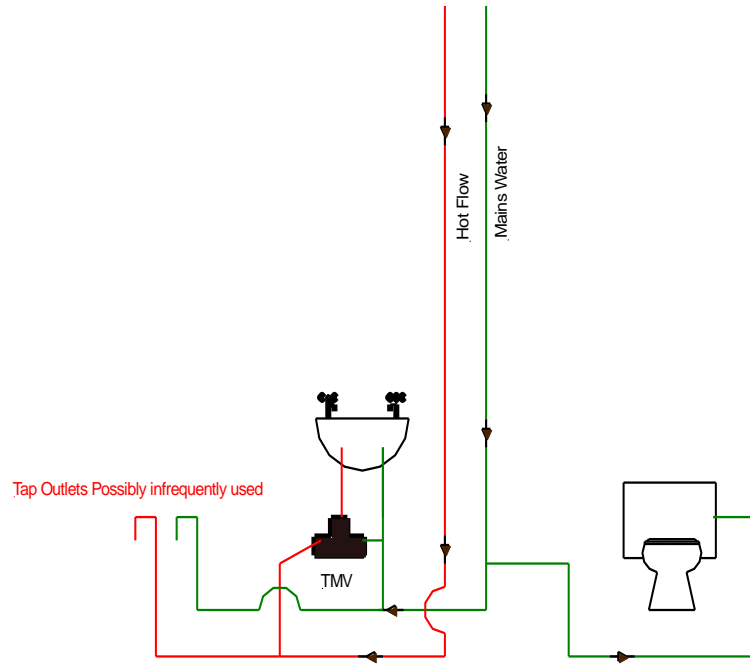
*Freeston Water Treatment Unit 1  
Lulworth Business Centre  
Calmore Industrial Estate  
Totton Southampton  
SO40 3WW  
Tel 02380669713*

Site Ref  
Southampton Civic Centre  
North Block Ground Floor  
Gents Toilet Room 407

Date 4th June 2018

Drawing No.8

Gents Toilet Room 407



Tap Outlets Possibly infrequently used

Disabled Toilet Room 410

**KEY**

- Ball A Fix Valve
- bf
- Check Valve
- Laboratory Tap
- Blender Valve
- Pump
- Isolating Valve
- Safety Valve
- Drinking Fountain
- Shower
- Mains Water Service
- Cold Water Down Service
- Hot Flow/Return

**Note**

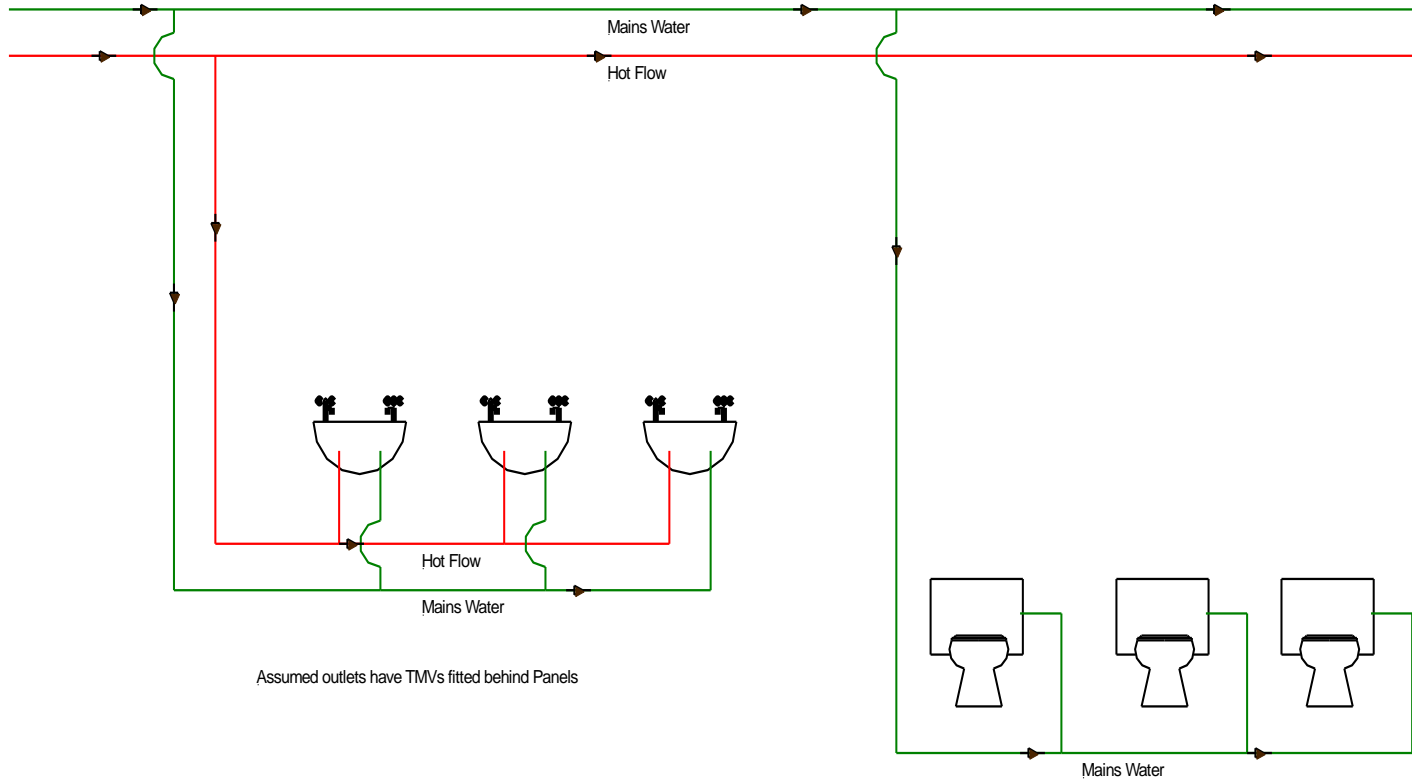
This drawing was prepared for the Legionellosis Risk Assessment Report and not intended as a scaled system drawing. Drawings are based on a visual inspection carried out during the Risk Assessment and information given at the time of the survey. Some areas of pipe work may not have been visible during the survey therefore some assumptions may have been made in order to create this drawing. This drawing is not to scale.

*Freeston Water Treatment  
Unit 1  
Lulworth Business Centre  
Calmore Industrial Estate  
Totton Southampton  
SO40 3WW  
Tel 02380669713*

Site Ref  
Southampton Civic Centre  
North Block Ground Floor  
Disabled Toilet Room 410

Date 4th June 2018

Drawing No.9



Assumed outlets have TMVs fitted behind Panels

Ground Floor Ladies Toilet Room 408

**KEY**

- Ball A Fix Valve
- bf
- Check Valve
- Laboratory Tap
- Blender Valve
- Pump
- Isolating Valve
- Safety Valve
- Drinking Fountain
- Shower
- Mains Water Service
- Cold Water Down Service
- Hot Flow/Return

**Note**

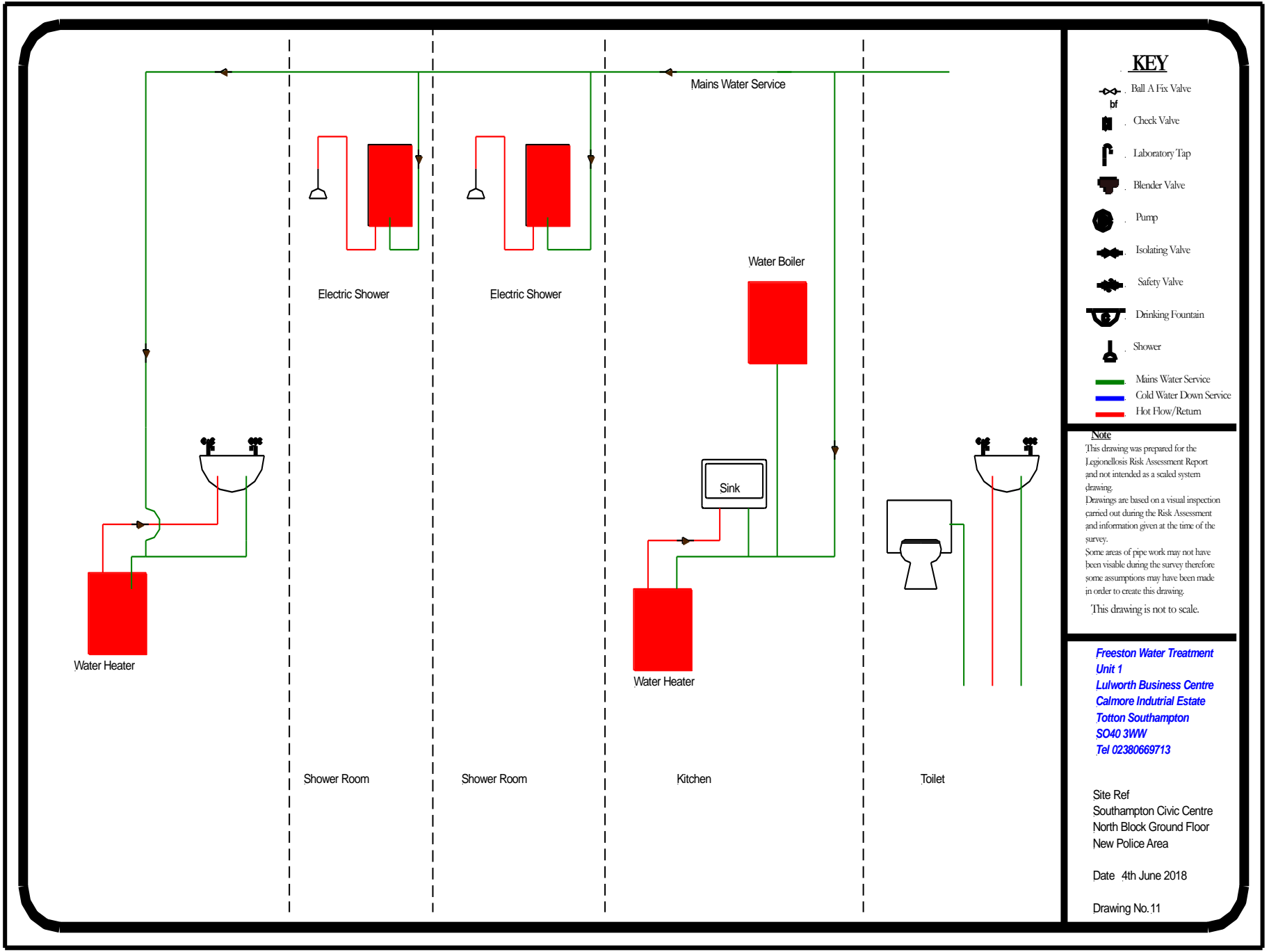
This drawing was prepared for the Legionellosis Risk Assessment Report and not intended as a scaled system drawing. Drawings are based on a visual inspection carried out during the Risk Assessment and information given at the time of the survey. Some areas of pipe work may not have been visible during the survey therefore some assumptions may have been made in order to create this drawing. This drawing is not to scale.

*Freeston Water Treatment Unit 1  
Lulworth Business Centre  
Calmore Industrial Estate  
Totton Southampton  
SO40 3WW  
Tel 02380669713*

Site Ref  
Southampton Civic Centre  
North Block Ground Floor  
Ladies Toilet Room 408

Date 4th June 2018

Drawing No.10



**KEY**

-  Ball A Fix Valve
-  bf
-  Check Valve
-  Laboratory Tap
-  Blender Valve
-  Pump
-  Isolating Valve
-  Safety Valve
-  Drinking Fountain
-  Shower
-  Mains Water Service
-  Cold Water Down Service
-  Hot Flow/Return

**Note**

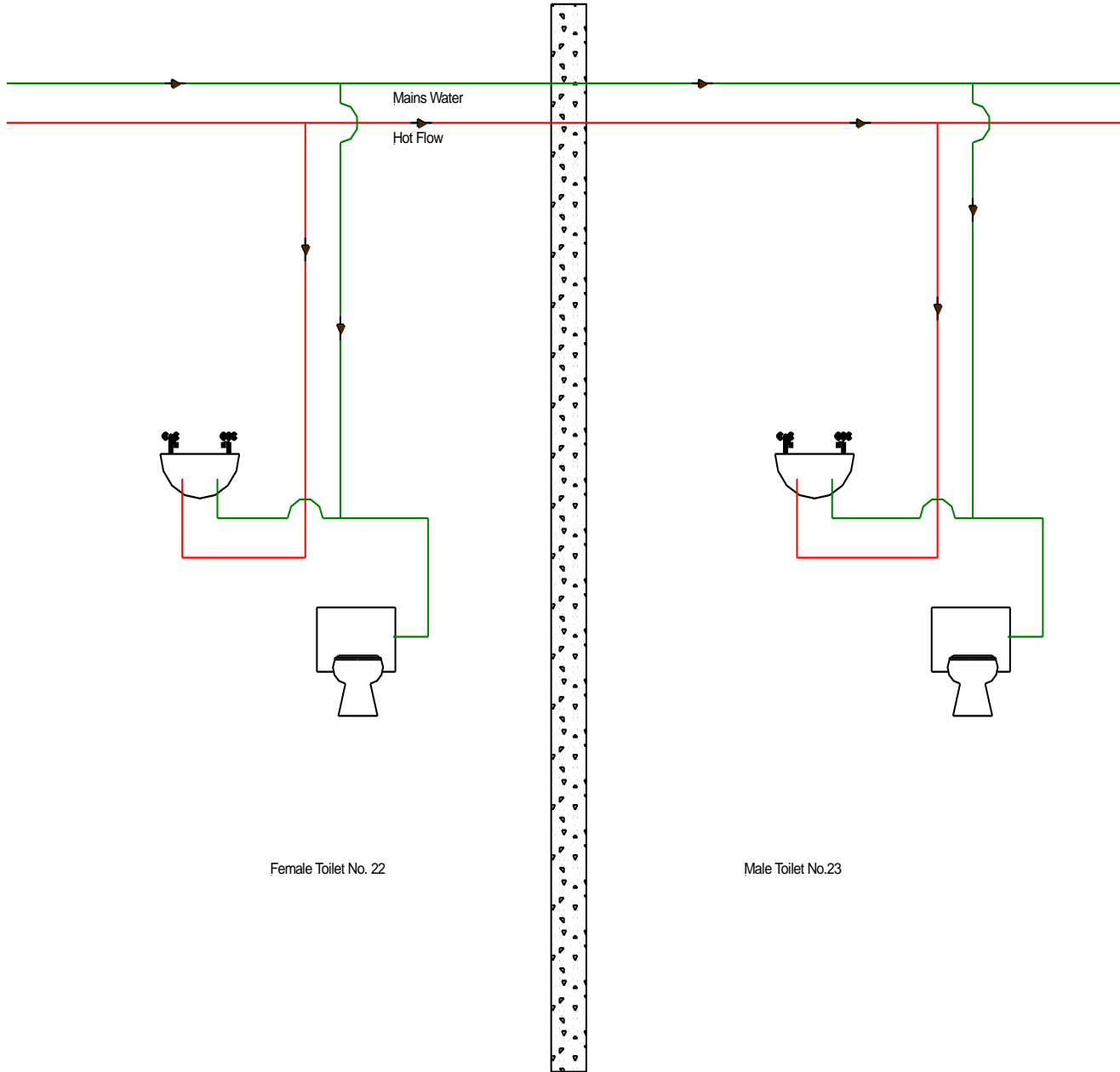
This drawing was prepared for the Legionellosis Risk Assessment Report and not intended as a scaled system drawing. Drawings are based on a visual inspection carried out during the Risk Assessment and information given at the time of the survey. Some areas of pipe work may not have been visible during the survey therefore some assumptions may have been made in order to create this drawing. This drawing is not to scale.

*Freeston Water Treatment  
Unit 1  
Lulworth Business Centre  
Calmore Industrial Estate  
Totton Southampton  
SO40 3WW  
Tel 02380669713*

Site Ref  
Southampton Civic Centre  
North Block Ground Floor  
New Police Area

Date 4th June 2018

Drawing No.11



Female Toilet No. 22

Male Toilet No. 23

### KEY

-  Ball A Fix Valve
-  bf
-  Check Valve
-  Laboratory Tap
-  Blender Valve
-  Pump
-  Isolating Valve
-  Safety Valve
-  Drinking Fountain
-  Shower
-  Mains Water Service
-  Cold Water Down Service
-  Hot Flow/Return

### Note

This drawing was prepared for the Legionellosis Risk Assessment Report and not intended as a scaled system drawing. Drawings are based on a visual inspection carried out during the Risk Assessment and information given at the time of the survey. Some areas of pipe work may not have been visible during the survey therefore some assumptions may have been made in order to create this drawing. This drawing is not to scale.

*Freeston Water Treatment  
Unit 1  
Lulworth Business Centre  
Calmore Industrial Estate  
Totton Southampton  
SO40 3WW  
Tel 02380669713*

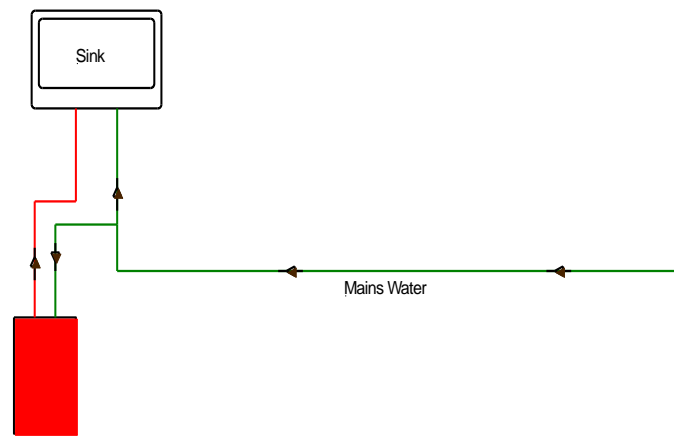
Site Ref  
Southampton Civic Centre  
North Block First Floor  
Library Toilets No.22 & 23

Date 4th June 2018

Drawing No.12

### KEY

-  Ball A Fix Valve
-  bf
-  Check Valve
-  Laboratory Tap
-  Blender Valve
-  Pump
-  Isolating Valve
-  Safety Valve
-  Drinking Fountain
-  Shower
-  Mains Water Service
-  Cold Water Down Service
-  Hot Flow/Return



Continual elevated cold water temperature at cold outlet

### Note

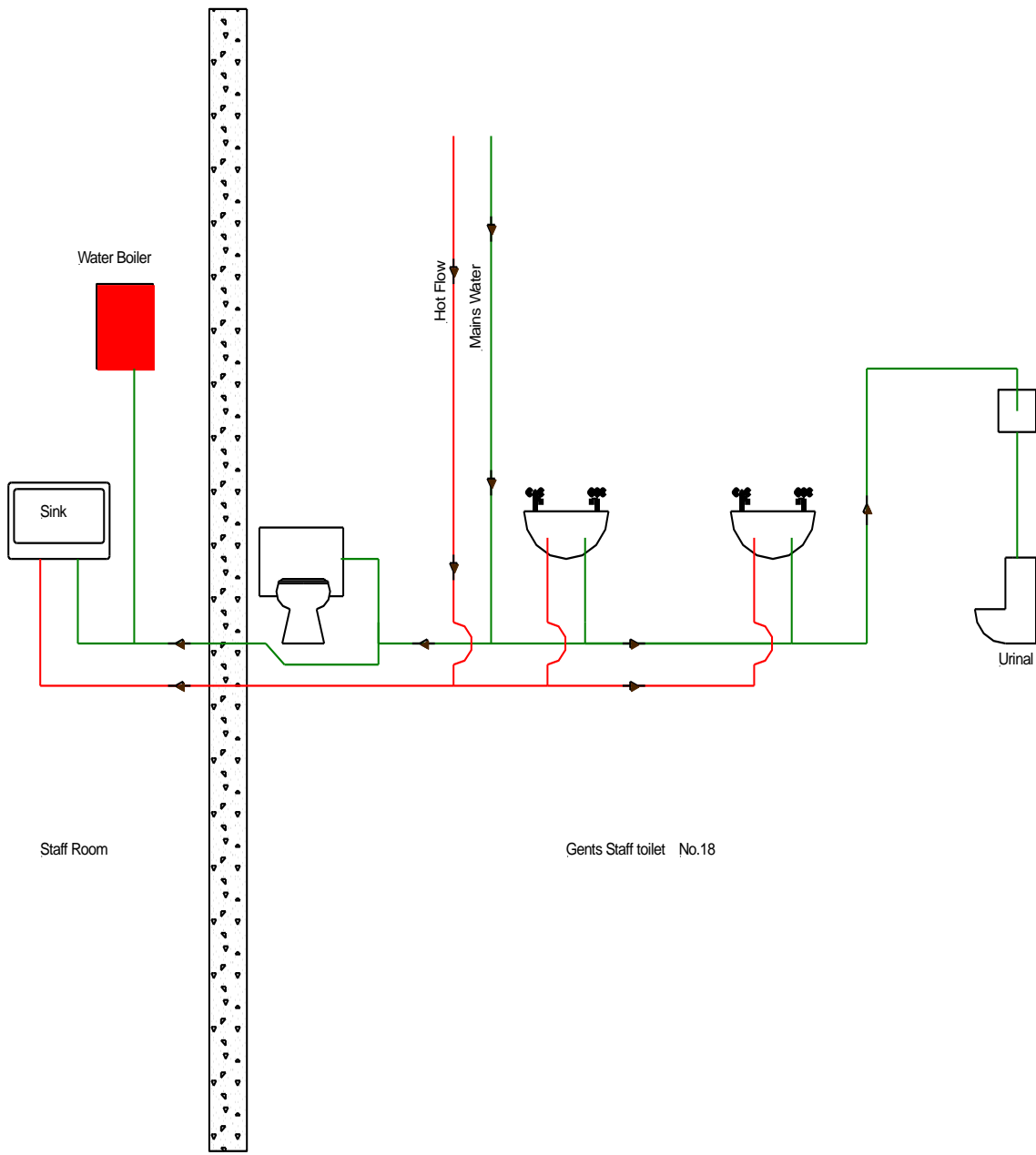
This drawing was prepared for the Legionellosis Risk Assessment Report and not intended as a scaled system drawing.  
Drawings are based on a visual inspection carried out during the Risk Assessment and information given at the time of the survey.  
Some areas of pipe work may not have been visible during the survey therefore some assumptions may have been made in order to create this drawing.  
This drawing is not to scale.

**Freeston Water Treatment Unit 1**  
**Lulworth Business Centre**  
**Calmore Industrial Estate**  
**Totton Southampton**  
**SO40 3WW**  
**Tel 02380669713**









Site Ref  
Southampton Civic Centre  
North Block First Floor  
Library Office No.27

Date 4th June 2018

Drawing No.13



### KEY

-  Ball A Fix Valve
-  bf
-  Check Valve
-  Laboratory Tap
-  Blender Valve
-  Pump
-  Isolating Valve
-  Safety Valve
-  Drinking Fountain
-  Shower
-  Mains Water Service
-  Cold Water Down Service
-  Hot Flow/Return

### Note

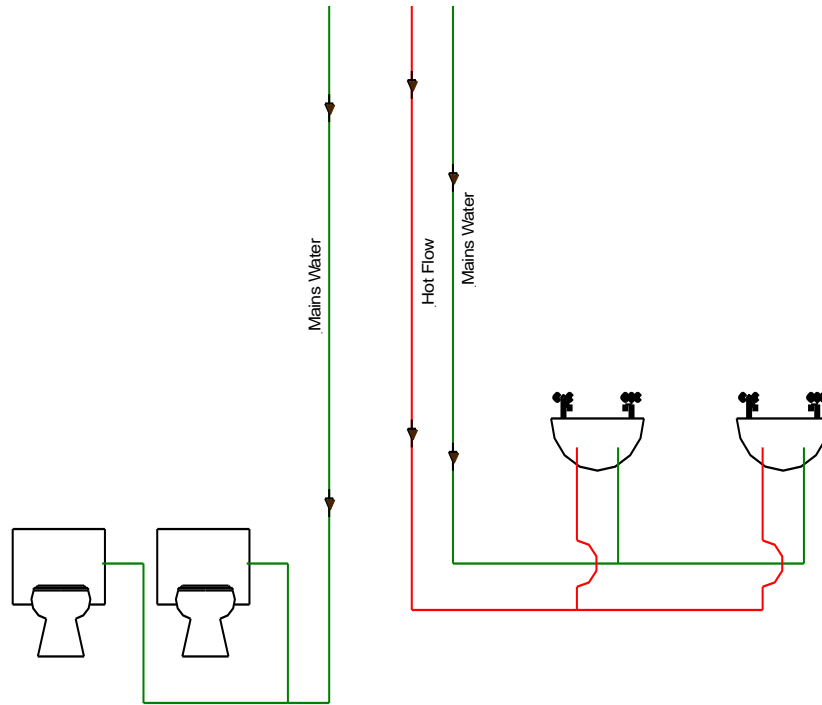
This drawing was prepared for the Legionellosis Risk Assessment Report and not intended as a scaled system drawing. Drawings are based on a visual inspection carried out during the Risk Assessment and information given at the time of the survey. Some areas of pipe work may not have been visible during the survey therefore some assumptions may have been made in order to create this drawing. This drawing is not to scale.

*Freeston Water Treatment  
Unit 1  
Lulworth Business Centre  
Calmore Industrial Estate  
Totton Southampton  
SO40 3WW  
Tel 02380669713*

Site Ref  
Southampton Civic Centre  
North Block First Floor  
Library Gents Staff Toilet No.18  
& Staff room  
Date 4th June 2018

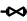




Drawing No.14





Toilet No.19

## KEY

-  Ball A Fix Valve
-  bf
-  Check Valve
-  Laboratory Tap
-  Blender Valve
-  Pump
-  Isolating Valve
-  Safety Valve
-  Drinking Fountain
-  Shower
-  Mains Water Service
-  Cold Water Down Service
-  Hot Flow/Return

### Note

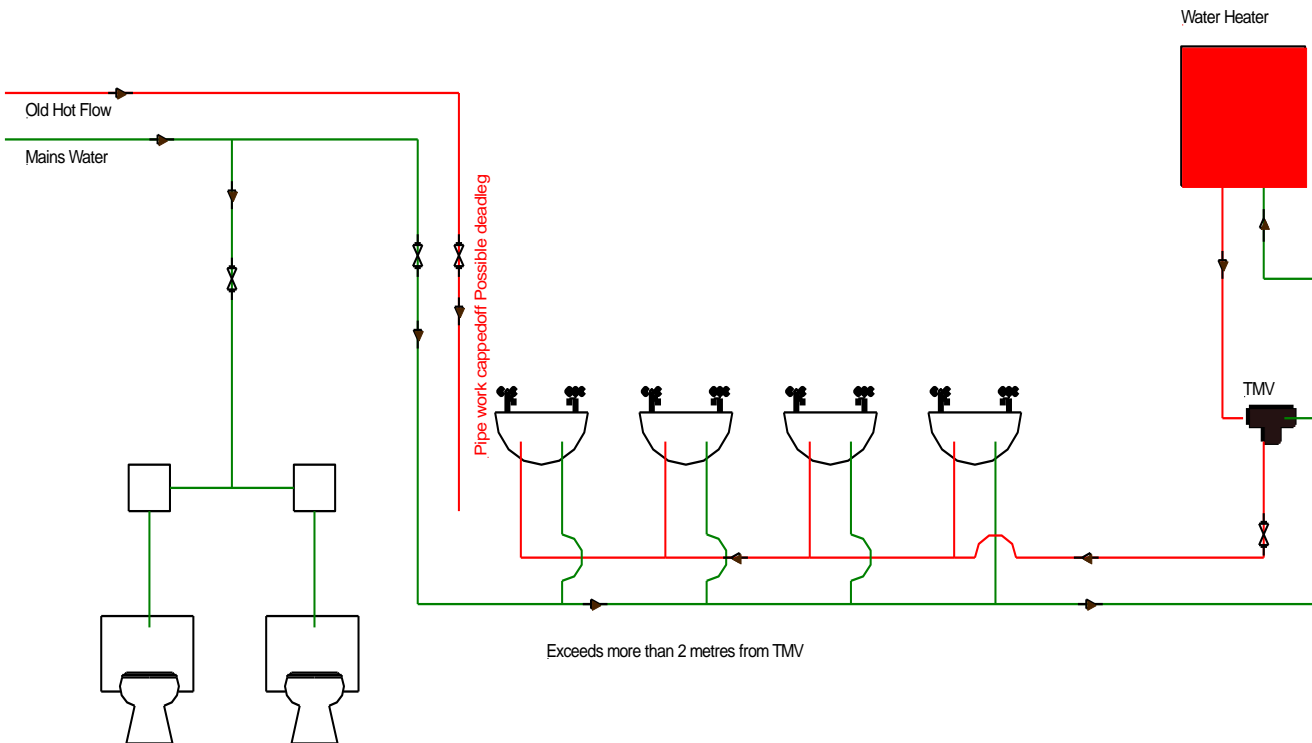
This drawing was prepared for the Legionellosis Risk Assessment Report and not intended as a scaled system drawing. Drawings are based on a visual inspection carried out during the Risk Assessment and information given at the time of the survey. Some areas of pipe work may not have been visible during the survey therefore some assumptions may have been made in order to create this drawing. This drawing is not to scale.

*Freeston Water Treatment  
Unit 1  
Lulworth Business Centre  
Calmore Industrial Estate  
Totton Southampton  
SO40 3WW  
Tel 02380669713*

Site Ref  
Southampton Civic Centre  
North Block First Floor  
Library Staff Ladies Toilet No.19

Date 4th June 2018

Drawing No.15



Exceeds more than 2 metres from TMV

No hot water at the time of this 2018 review water heater switched off.

**KEY**

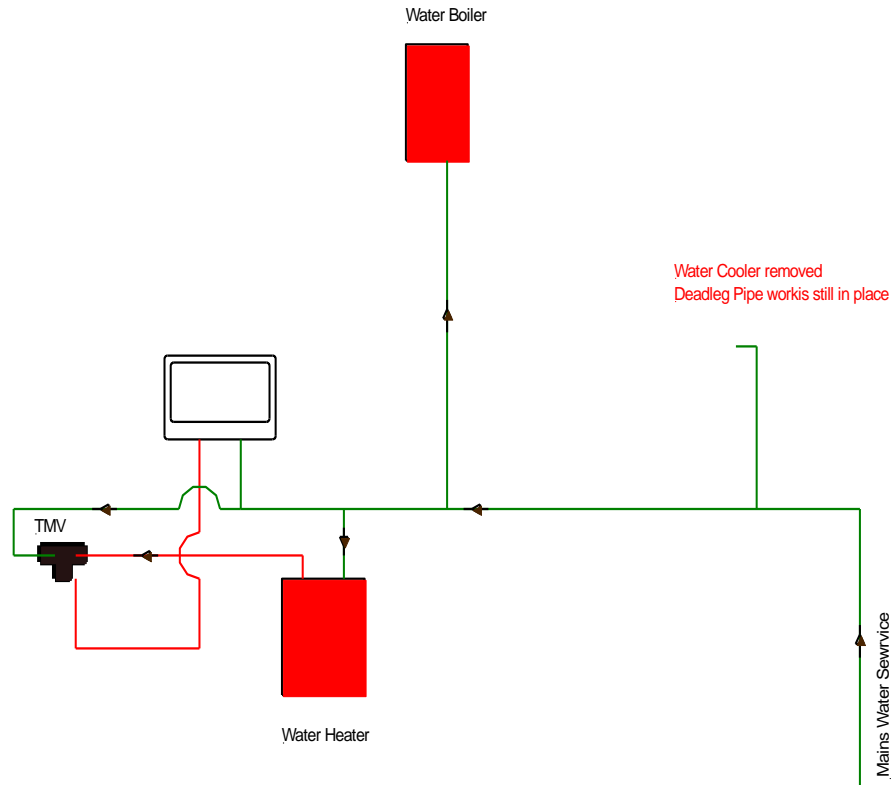
- Ball A Fix Valve
- bf
- Check Valve
- Laboratory Tap
- Blender Valve
- Pump
- Isolating Valve
- Safety Valve
- Drinking Fountain
- Shower
- Mains Water Service
- Cold Water Down Service
- Hot Flow/Return

**Note**  
 This drawing was prepared for the Legionellosis Risk Assessment Report and not intended as a scaled system drawing.  
 Drawings are based on a visual inspection carried out during the Risk Assessment and information given at the time of the survey.  
 Some areas of pipe work may not have been visible during the survey therefore some assumptions may have been made in order to create this drawing.  
 This drawing is not to scale.

*Freeston Water Treatment  
 Unit 1  
 Lulworth Business Centre  
 Calmore Industrial Estate  
 Totton Southampton  
 SO40 3WW  
 Tel 02380669713*

Site Ref  
 Southampton Civic Centre  
 North Block First Floor  
 Sports & Leisure Ladies Toilet  
 Room516  
 Date 4th June 2018

Drawing No.16



**KEY**

-  Ball A Fix Valve
-  bf
-  Check Valve
-  Laboratory Tap
-  Blender Valve
-  Pump
-  Isolating Valve
-  Safety Valve
-  Drinking Fountain
-  Shower
-  Mains Water Service
-  Cold Water Down Service
-  Hot Flow/Return

**Note**

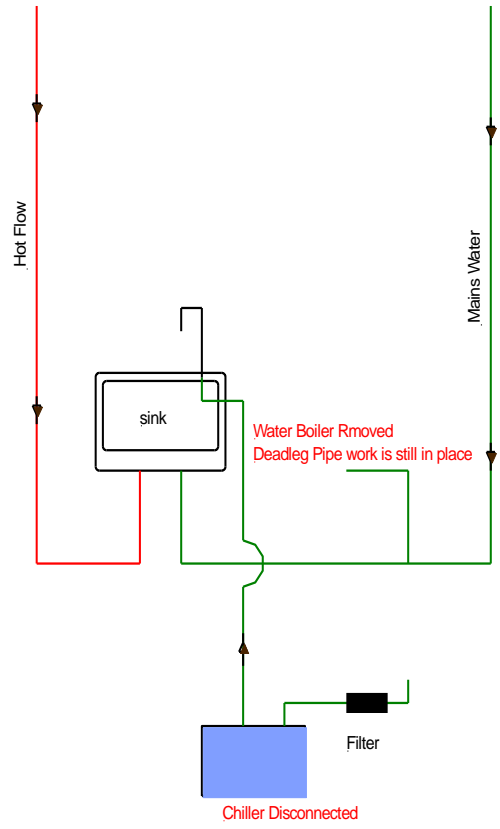
This drawing was prepared for the Legionellosis Risk Assessment Report and not intended as a scaled system drawing. Drawings are based on a visual inspection carried out during the Risk Assessment and information given at the time of the survey. Some areas of pipe work may not have been visible during the survey therefore some assumptions may have been made in order to create this drawing. This drawing is not to scale.

*Freeston Water Treatment Unit 1  
Lulworth Business Centre  
Calmore Industrial Estate  
Totton Southampton  
SO40 3WW  
Tel 02380669713*

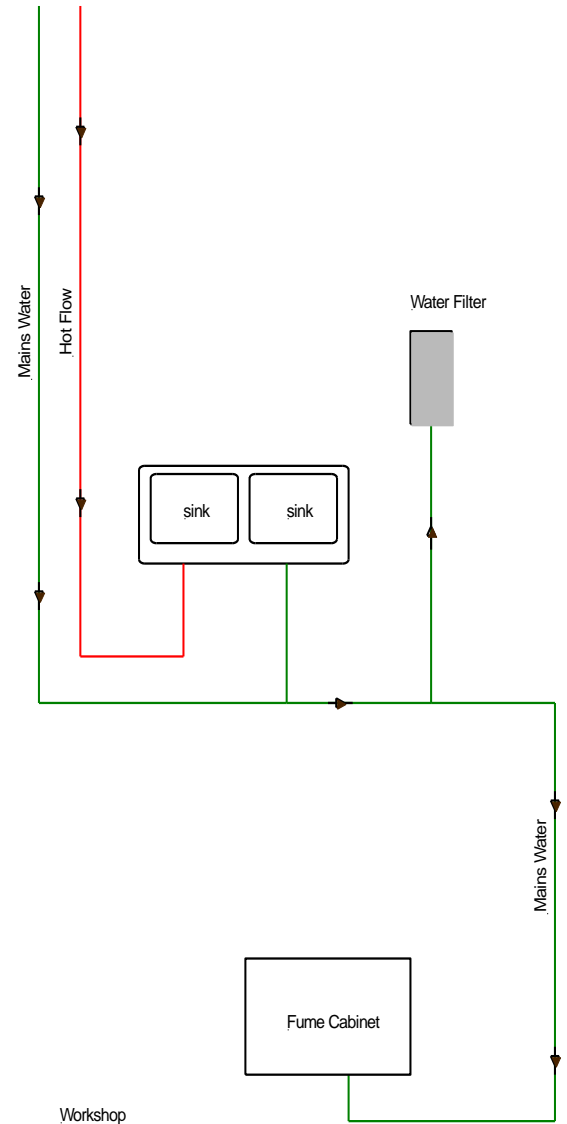
Site Ref  
Southampton Civic Centre  
North Block First Floor  
Room 507 Area Kitchen

Date 4th June 2018

Drawing No.17



Kitchen



Workshop

### KEY

-  Ball A Fix Valve
-  bf
-  Check Valve
-  Laboratory Tap
-  Blender Valve
-  Pump
-  Isolating Valve
-  Safety Valve
-  Drinking Fountain
-  Shower
-  Mains Water Service
-  Cold Water Down Service
-  Hot Flow/Return

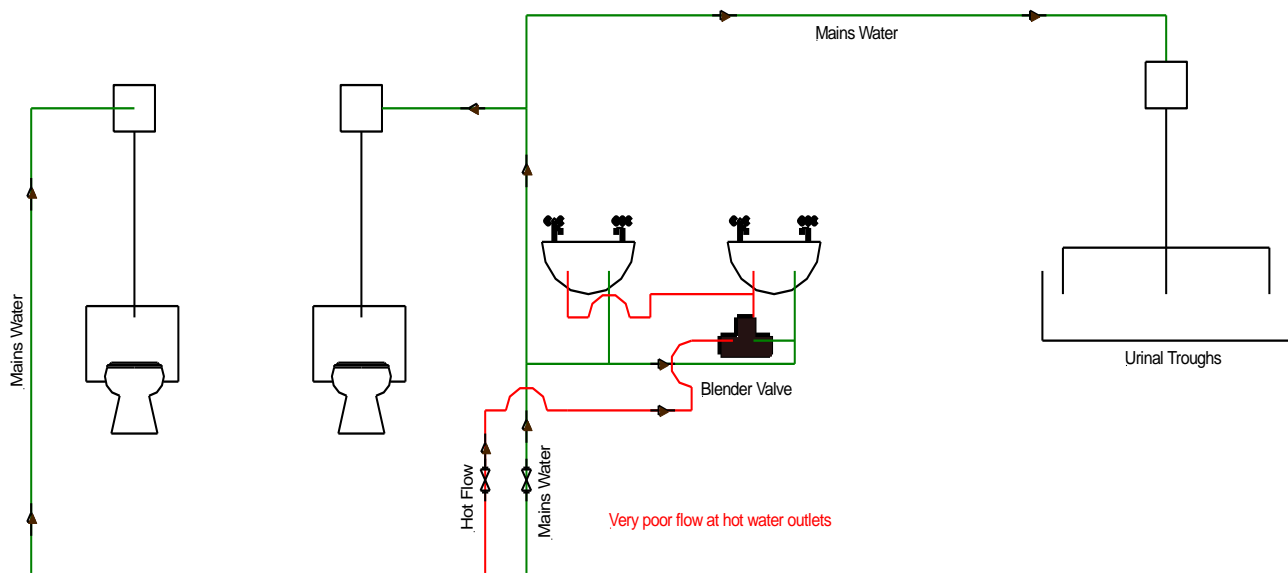
### Note

This drawing was prepared for the Legionellosis Risk Assessment Report and not intended as a scaled system drawing. Drawings are based on a visual inspection carried out during the Risk Assessment and information given at the time of the survey. Some areas of pipe work may not have been visible during the survey therefore some assumptions may have been made in order to create this drawing. This drawing is not to scale.

**Freeston Water Treatment Unit 1**  
**Lulworth Business Centre**  
**Calmore Industrial Estate**  
**Totton Southampton**  
**SO40 3WW**  
**Tel 02380669713**

Site Ref  
 Southampton Civic Centre  
 North Block First Floor  
 Art Conservation Area  
 Room 506  
 Date 4th June 2018

Drawing No.18



**KEY**

-  Ball A Fix Valve
-  bf
-  Check Valve
-  Laboratory Tap
-  Blender Valve
-  Pump
-  Isolating Valve
-  Safety Valve
-  Drinking Fountain
-  Shower
-  Mains Water Service
-  Cold Water Down Service
-  Hot Flow/Return

**Note**

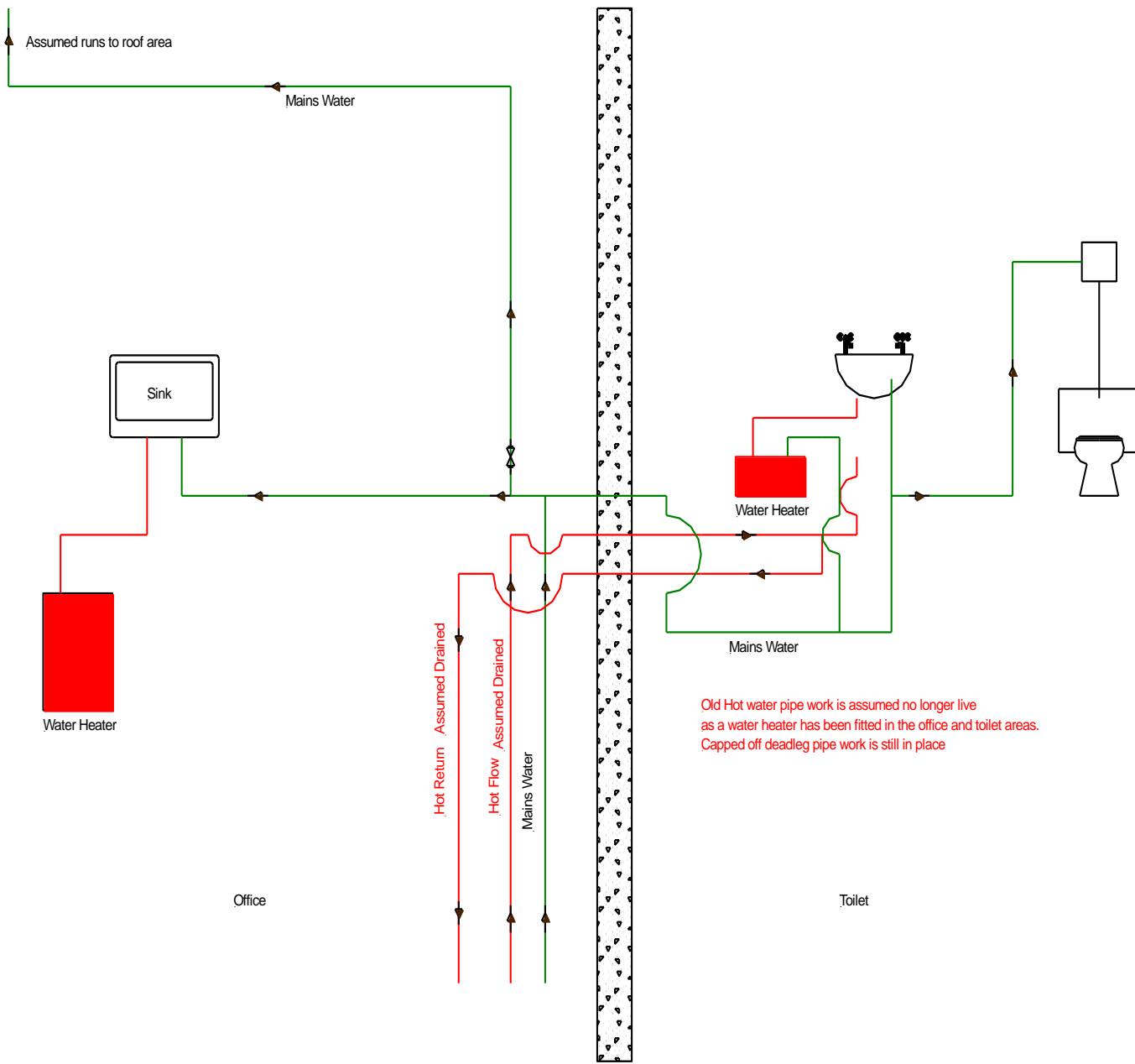
This drawing was prepared for the Legionellosis Risk Assessment Report and not intended as a scaled system drawing. Drawings are based on a visual inspection carried out during the Risk Assessment and information given at the time of the survey. Some areas of pipe work may not have been visible during the survey therefore some assumptions may have been made in order to create this drawing. This drawing is not to scale.

*Freeston Water Treatment  
Unit 1  
Lulworth Business Centre  
Calmore Industrial Estate  
Totton Southampton  
SO40 3WW  
Tel 02380669713*

Site Ref  
Southampton Civic Centre  
North Block First Floor  
Gents Toilet Room 504

Date 4th June 2018

Drawing No.19



**KEY**

- Ball A Fix Valve
- bf
- Check Valve
- Laboratory Tap
- Blender Valve
- Pump
- Isolating Valve
- Safety Valve
- Drinking Fountain
- Shower
- Mains Water Service
- Cold Water Down Service
- Hot Flow/Return

**Note**

This drawing was prepared for the Legionellosis Risk Assessment Report and not intended as a scaled system drawing. Drawings are based on a visual inspection carried out during the Risk Assessment and information given at the time of the survey. Some areas of pipe work may not have been visible during the survey therefore some assumptions may have been made in order to create this drawing. This drawing is not to scale.

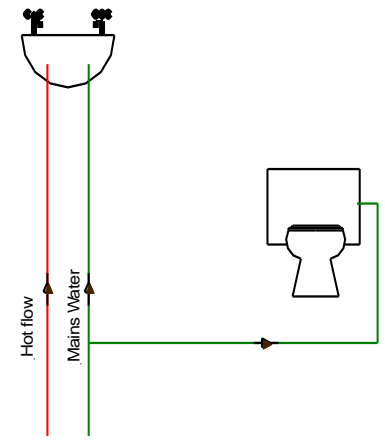
*Freeston Water Treatment Unit 1  
Lulworth Business Centre  
Calmore Industrial Estate  
Totton Southampton  
SO40 3WW  
Tel 02380669713*

Site Ref  
Southampton Civic Centre  
North Block Second Floor  
Childrens & Families Office  
and Toilet Rooms 240 & 240A  
Date 4th June 2018

Drawing No.20

## KEY

-  Ball A Fix Valve
- bf**  Check Valve
-  Laboratory Tap
-  Blender Valve
-  Pump
-  Isolating Valve
-  Safety Valve
-  Drinking Fountain
-  Shower
-  Mains Water Service
-  Cold Water Down Service
-  Hot Flow/Return



### Note

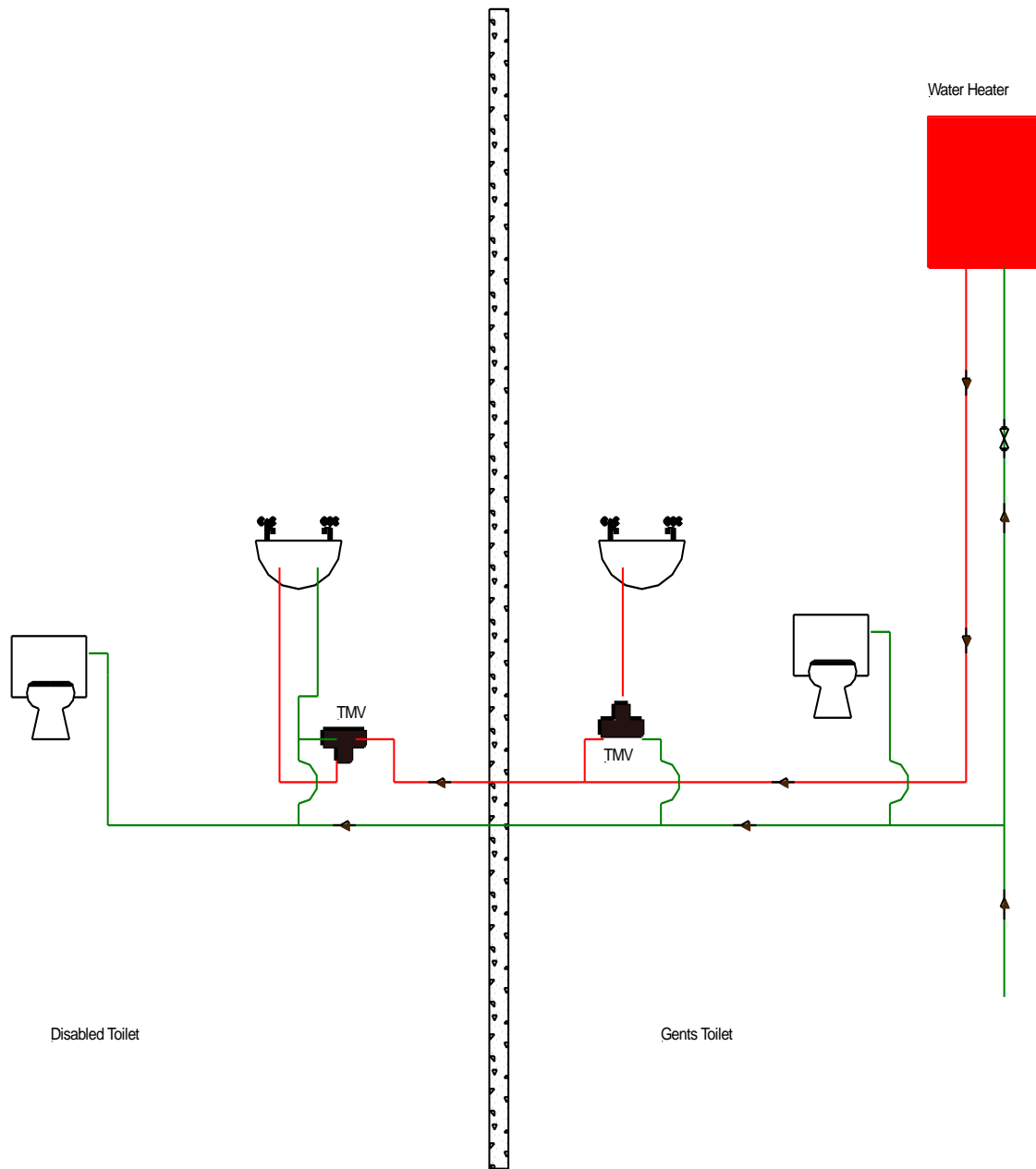
This drawing was prepared for the Legionellosis Risk Assessment Report and not intended as a scaled system drawing.  
Drawings are based on a visual inspection carried out during the Risk Assessment and information given at the time of the survey.  
Some areas of pipe work may not have been visible during the survey therefore some assumptions may have been made in order to create this drawing.  
This drawing is not to scale.

*Freeston Water Treatment  
Unit 1  
Lulworth Business Centre  
Calmore Industrial Estate  
Totton Southampton  
SO40 3WW  
Tel 02380669713*

Site Ref  
Southampton Civic Centre  
North Block  
Art Gallery Staff Toilet

Date 4th June 2018

Drawing No.21



### KEY

- Ball A Fix Valve
- bf
- Check Valve
- Laboratory Tap
- Blender Valve
- Pump
- Isolating Valve
- Safety Valve
- Drinking Fountain
- Shower
- Mains Water Service
- Cold Water Down Service
- Hot Flow/Return

### Note

This drawing was prepared for the Legionellosis Risk Assessment Report and not intended as a scaled system drawing. Drawings are based on a visual inspection carried out during the Risk Assessment and information given at the time of the survey. Some areas of pipe work may not have been visible during the survey therefore some assumptions may have been made in order to create this drawing. This drawing is not to scale.

*Freeston Water Treatment  
Unit 1  
Lulworth Business Centre  
Calmore Industrial Estate  
Totton Southampton  
SO40 3WW  
Tel 02380669713*

Site Ref  
Southampton Civic Centre  
North Block Library Basement  
Toilets Room 371A

Date 4th June 2018

Drawing No.21