

**Compass School**

**Water System Drawings**

**23<sup>rd</sup> July 2018**

INCOMING MAINS COLD WATER PIPE

WATER METER

DEAD LEG

DEAD LEG

BYPASS VALVE CLOSED

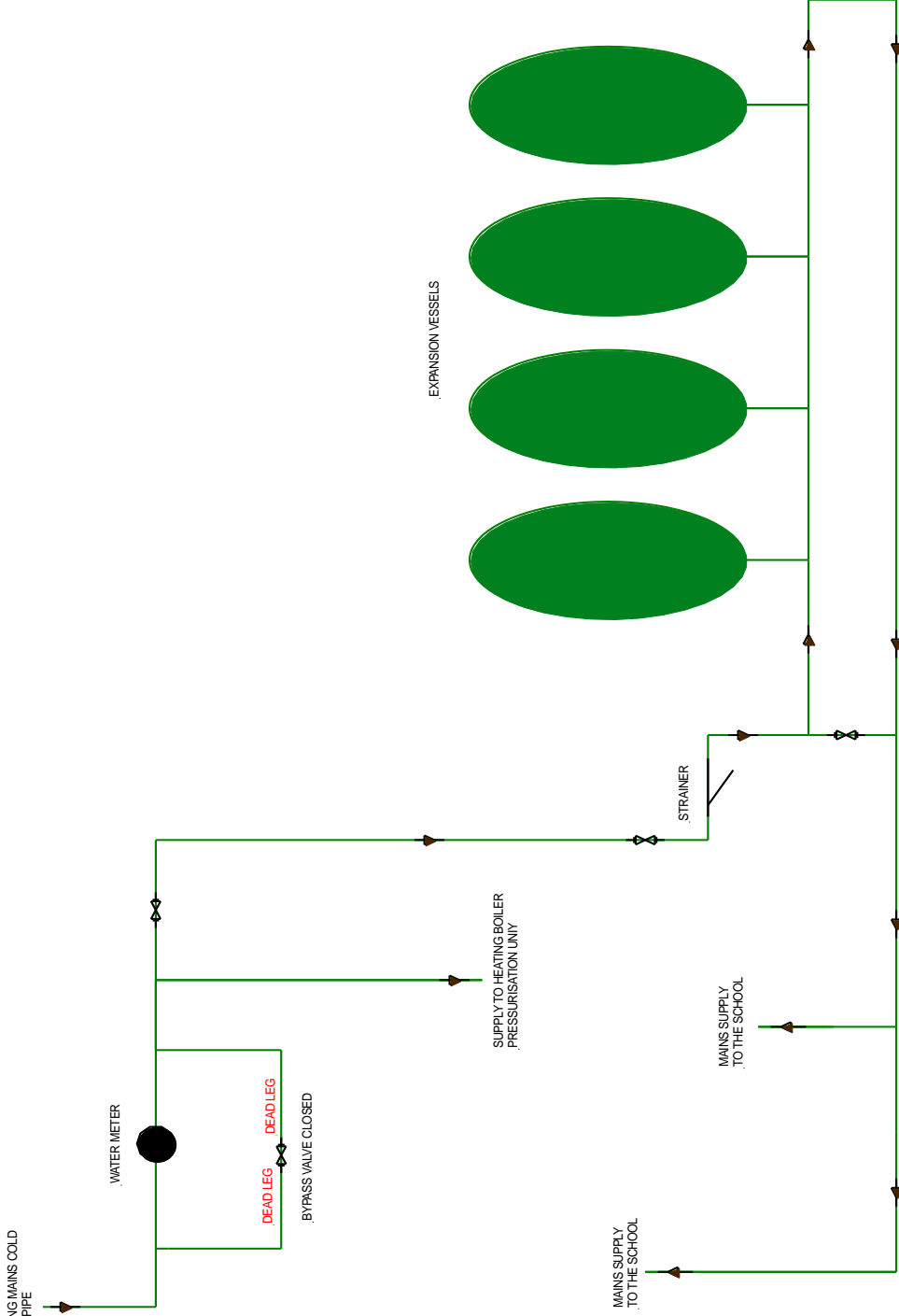
SUPPLY TO HEATING BOILER PRESSURISATION UNIT

MAINS SUPPLY TO THE SCHOOL

STRAINER

EXPANSION VESSELS

### BASEMENT PLANT ROOM



**LEGEND**

- WM = Washing Machine
- WB = Wash Basin
- SK = Sink
- WC = Toilet
- EWB = Electric Water Boiler
- EPUMH = Electric Point Of Use Water Heater
- DW = Dishwasher
- ELWH = Electric Local Water Heater
- INT SH = Intergrated Shower
- TMW = Thermostatic Mixing Valve / Blender Valve
- Mains Water
- Down Service
- Hot Water
- Softened Water

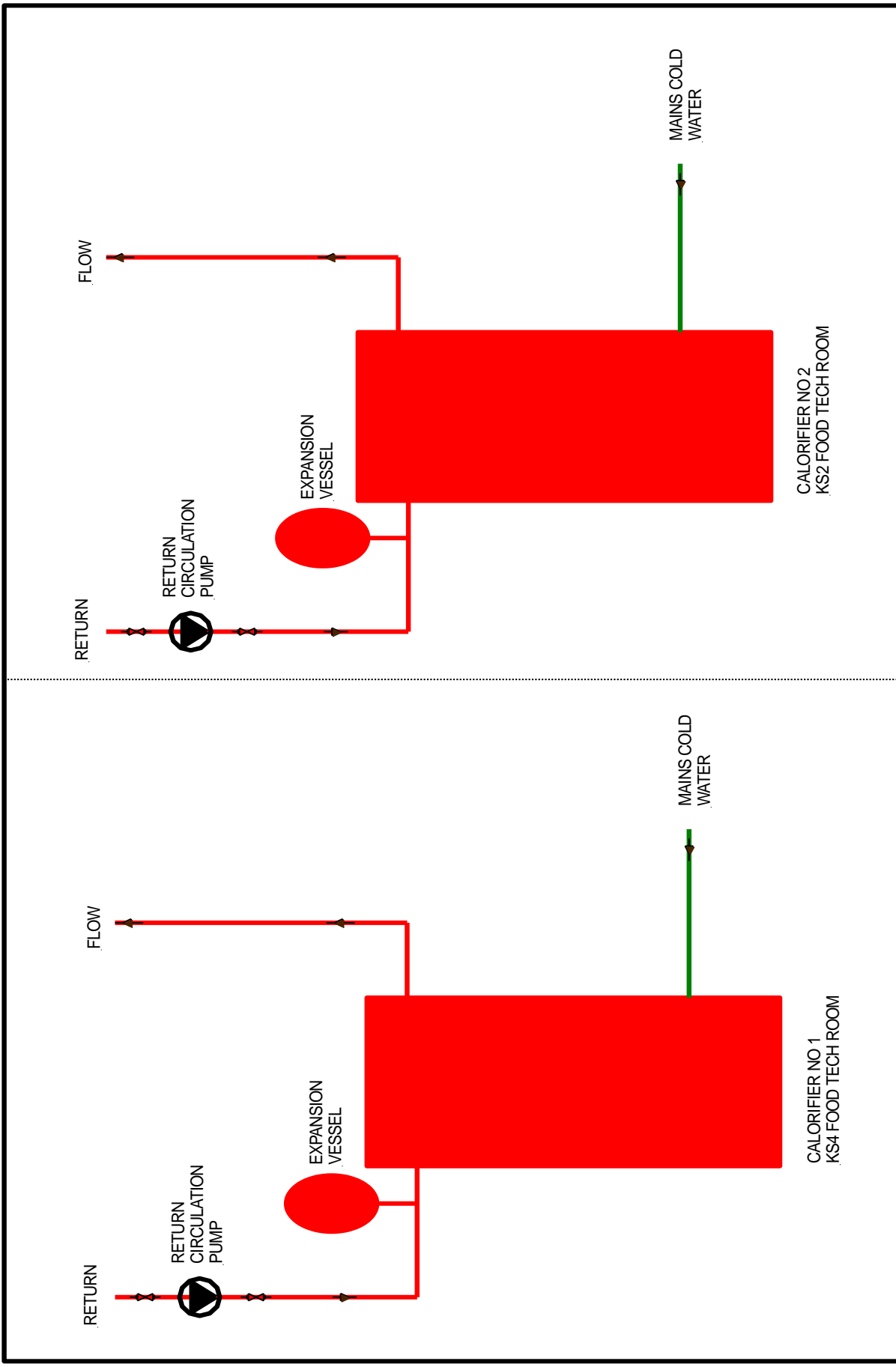
This drawing was prepared for the Legionellosis Risk Assessment Report and not intended as a scaled system drawing. Drawings are based on a visual inspection carried out during the Risk Assessment and information given at the time of the survey. Therefore some assumptions may have been made in order to create this drawing.

This drawing is not to scale

**FREESTON**  
Water Treatment

Freeston Water Treatment  
Unit 1  
Luton Business Centre  
Luton Estate  
Luton, Southampton  
SO40 3MW  
Tel 023 8066 9713

23rd July 2016  
Southampton City Council  
Compass School  
Basement Plant Room Area  
Drawing No.1



**LEGEND**

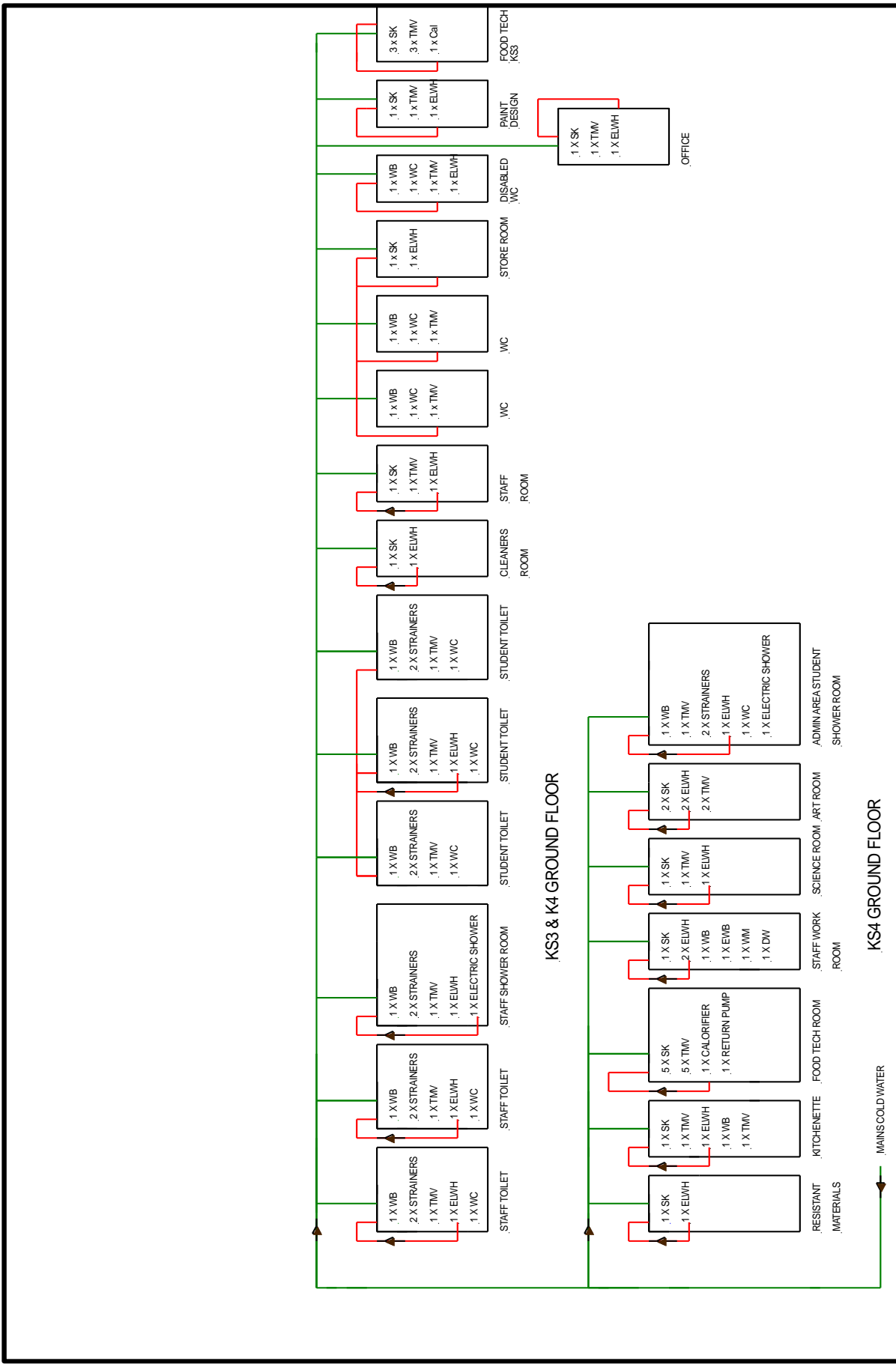
WM = Washing Machine	EFOUMH = Electric Point Of Use Water Heater	— Mains Water
WB = Wash Basin	DW = Dishwasher	— Down Service
SK = Sink	ELWH = Electric Local Water Heater	— Hot Water
WC = Toilet	INT SH = Intergrated Shower	— Softened Water
EWB = Electric Water Boiler	TMV = Thermostatic Mixing Valve / Blender Valve	

This drawing was prepared for the Legionellosis Risk Assessment Report and not intended as a scaled system drawing. Drawings are based on a visual inspection carried out during the Risk Assessment and information given at the time of the survey. Some drawings may not be to scale. If you have any queries about this drawing, please contact the survey, therefore some assumptions may have been made in order to create this drawing.

**FREESTON**  
Water Treatment

Freeston Water Treatment  
Unit 1  
Luton Business Centre  
Luton Estate  
Luton, Southhampton  
SO40 3MW  
Tel 023 8066 9713

23rd July 2018  
Southampton City Council  
Compass School  
Food Technology Hot Water Calorifiers



**KS3 & K4 GROUND FLOOR**

**KS4 GROUND FLOOR**

- LEGEND**
- WM = Washing Machine
  - WB = Wash Basin
  - SK = Sink
  - WC = Toilet
  - EWB = Electric Water Boiler
  - EP/UMH = Electric Point Of Use Water Heater
  - DW = Dishwasher
  - ELWH = Electric Local Water Heater
  - INT SH = Intergrated Shower
  - TMV = Thermostatic Mixing Valve / Blender Valve
- Main Water
  - Down Service
  - Hot Water
  - Softened Water

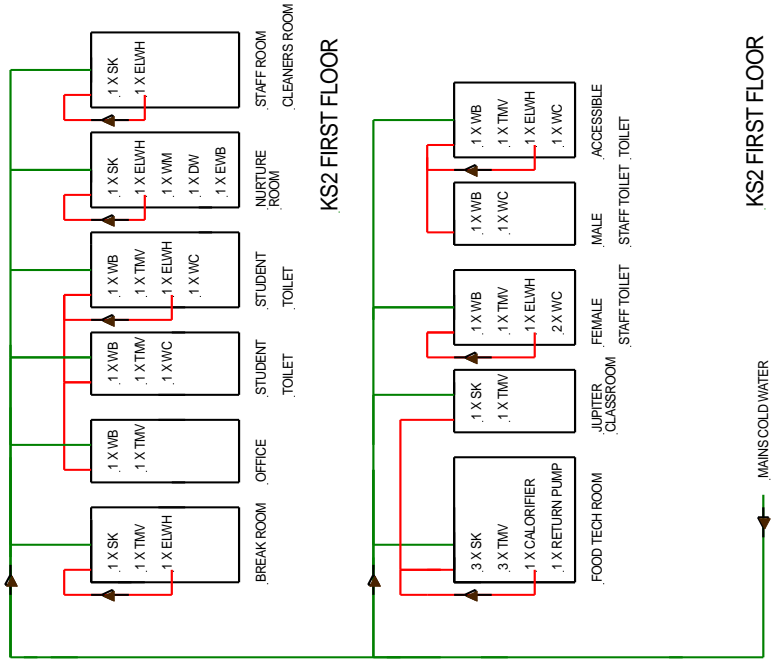
This drawing was prepared for the Legionellosis Risk Assessment Report and not intended as a scaled system drawing. Drawings are based on a visual inspection carried out during the Risk Assessment and information given at the time of the survey. Where necessary, the drawing has been based on the information given in the survey, therefore some assumptions may have been made in order to create this drawing.

This drawing is not to scale

**FREESTON**  
Water Treatment

Freeston Water Treatment  
Unit 11  
Luton Business Centre  
Luton Estate  
Tilton, Southampton  
SO40 3MW  
Tel 023 8066 9713

23rd July 2018  
Southampton City Council  
Compass School  
Ground Floor KS3 & KS4  
Drawing No.3



**KS2 FIRST FLOOR**

**KS2 FIRST FLOOR**

**LEGEND**

WM = Washing Machine	EFOUWH = Electric Point Of Use Water Heater	Green line	Mains Water
WB = Wash Basin	DW = Dishwasher	Blue line	Down Service
SK = Sink	ELWH = Electric Local Water Heater	Red line	Hot Water
WC = Toilet	INT SH = Integrated Shower	Purple line	Softened Water
EWB = Electric Water Boiler	TMV = Thermostatic Mixing Valve / Blender Valve		

This drawing was prepared for the Legionellosis Risk Assessment Report and not intended as a scaled system drawing. Drawings are based on a visual inspection carried out during the Risk Assessment and information given at the time of the survey. Therefore some assumptions may have been made in order to create this drawing.

This drawing is not to scale

**FREESTON**  
Water Treatment

Unit 1  
Luton Business Centre  
Luton Estate  
Tilton, Southampton  
SO40 3MW  
Tel 023 8066 9713

23rd July 2018  
Southampton City Council  
Compass School  
First Floor KS2  
Drawing No.4