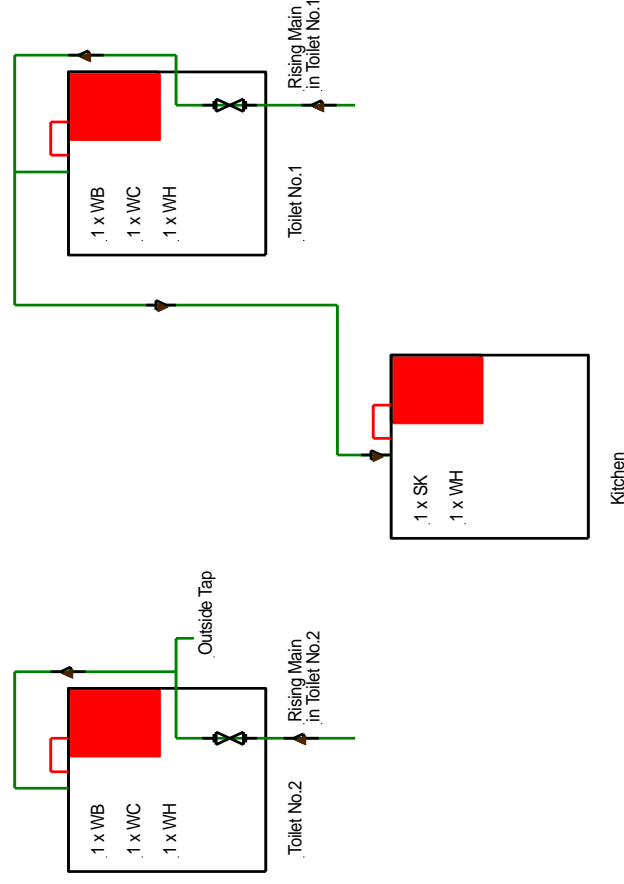


# **Paget Street Industrial Development**

## **Unit 4 Water System Drawings**

**28<sup>th</sup> June 2018**



**LEGEND**

- WM = Washing Machine
- WB = Wash Basin
- SK = Sink
- WC = Toilet
- SH = Shower
- DW = Dishwasher
- UR = Urinal
- WH = Water Heater
- POUWH = Point Of Use Water Heater
- TMW = Thermostatic Mixing Valve / Blender Valve
- WTCL = Water Cooler
- Mains Water
- Down Service
- Hot Water
- Softened Water

This drawing was prepared for the Legionellosis Risk Assessment Report and not intended as a scaled system drawing. Drawings are based on a visual inspection carried out during the Risk Assessment and information given at the time of the survey. Some areas of pipe work may not have been visible during the survey therefore some assumptions may have been made in order to create this drawing.

**This drawing is not to scale**



Freeston Water Treatment  
 Unit 1  
 Luilworth Business Centre  
 Calmore Industrial Estate  
 Totton Southampton  
 SO40 3WW  
 Tel 02380669713

**Site Reference / Date**  
 Paget Street Industrial Development Unit 4  
 Collections Service  
 Domestic Water System Layout  
 28th June 2018