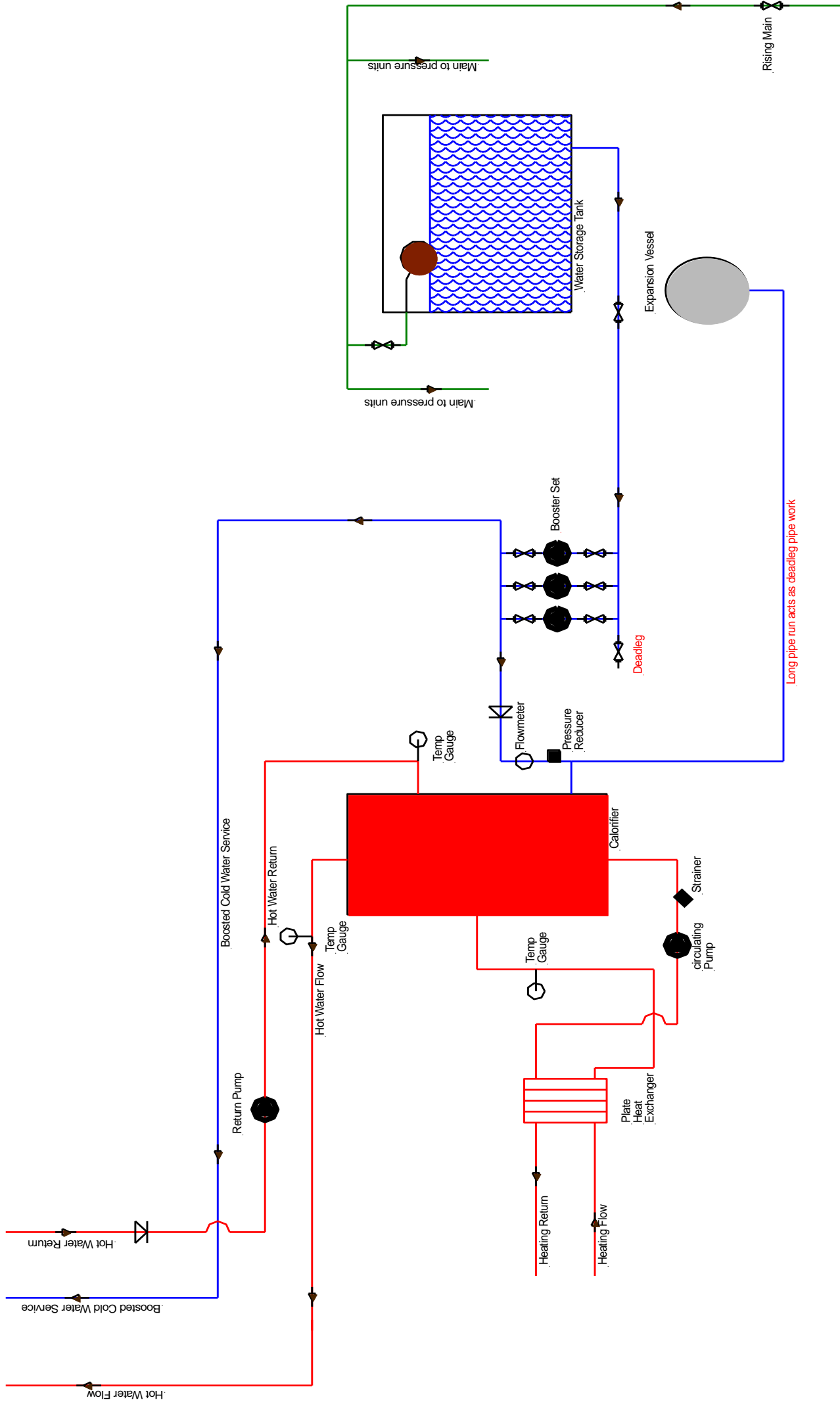


Sea City Museum

Water System Drawings

23rd April 2018



Site Reference / Date 23rd April 2018
 Sea City Museum
 Plant Room Calorifier and Water Storage Tank Domestic Water Systems

Freeston Water Treatment
 Unit 1
 Lutworth Business Centre
 Calmore Industrial Estate
 Totton Southampton
 SO40 3WW
 Tel 02380669713

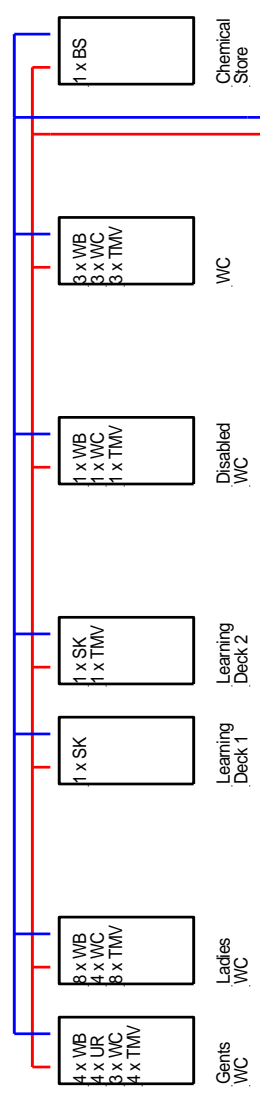


This drawing was prepared for the Legionellosis Risk Assessment Report and not intended as a scaled system drawing. Drawings are based on a visual inspection carried out during the Risk Assessment and information given at the time of the survey. Some areas of pipe work may not have been visible during the survey therefore some assumptions may have been made in order to create this drawing.
 This drawing is not to scale

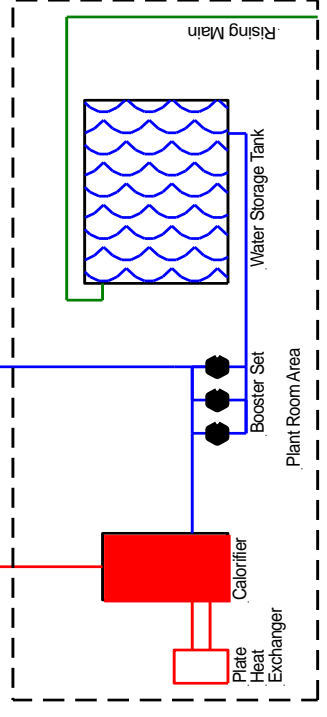
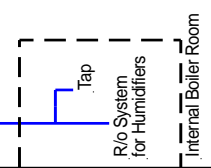
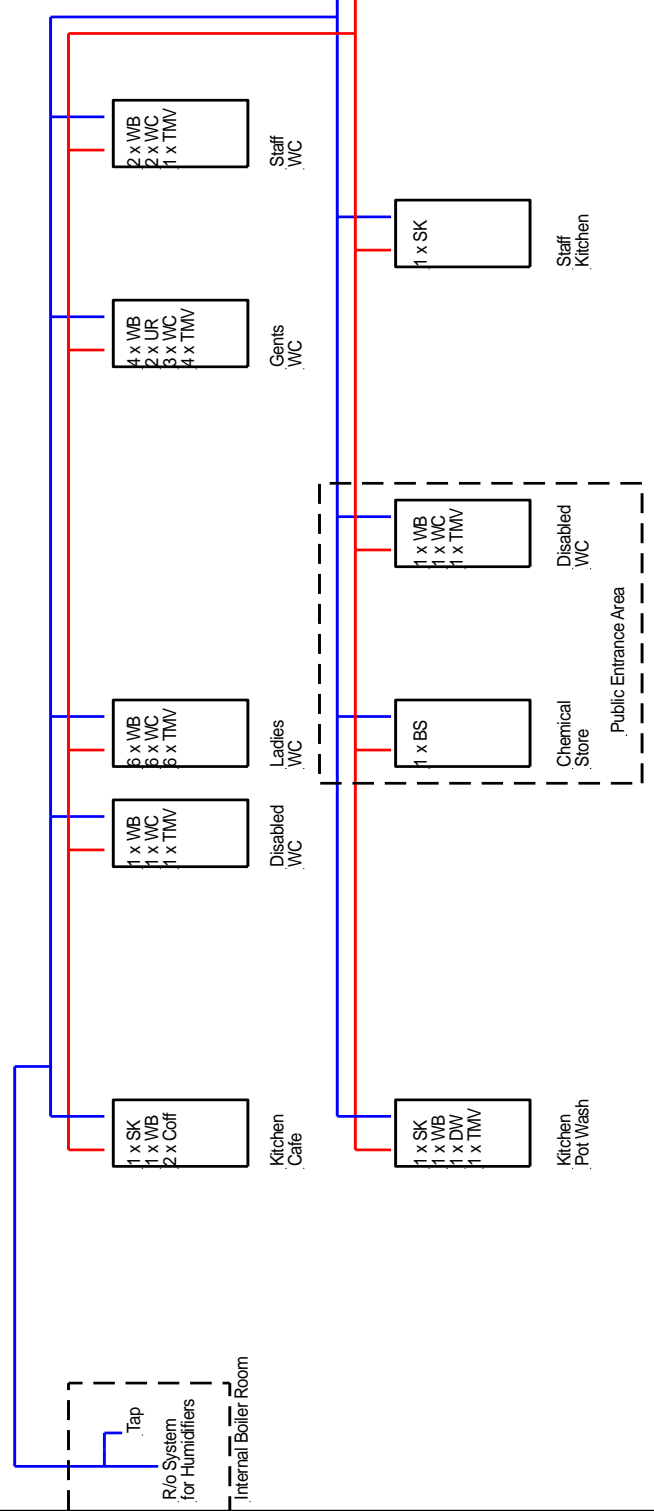
- █ Mains Water
- █ Down Service
- █ Hot Water
- █ Softened Water

- LEGEND**
- WM = Washing Machine
 - WB = Wash Basin
 - SK = Sink
 - WC = Toilet
 - SH = Shower
 - DW = Dishwasher
 - UR = Urinal
 - WH = Water Heater
 - POUWH = Point Of Use Water Heater
 - TMV = Thermostatic Mixing Valve / Blender Valve

First Floor Areas



Ground Floor Areas



Site Reference / Date: 23rd April 2018
 Sea City Museum
 Assumed Domestic Water System Layout

Freeston Water Treatment
 Unit 1
 Luwath Business Centre
 Calmore Industrial Estate
 Totton Southampton
 SO40 3WW
 Tel 02380669713



This drawing was prepared for the Legionellosis Risk Assessment Report and not intended as a scaled system drawing. Drawings are based on a visual inspection carried out during the Risk Assessment and information given at the time of the survey. Some areas of pipe work may not have been viable during the survey therefore some assumptions may have been made in order to create this drawing.
This drawing is not to scale

LEGEND

WM = Washing Machine	DW = Dishwasher	Green line	Mains Water
WB = Wash Basin	UR = Urinal	Blue line	Down Service
SK = Sink	WH = Water Heater	Red line	Hot Water
WC = Toilet	POUWH = Point Of Use Water Heater	Green line	Softened Water
SH = Shower	TMV = Thermostatic Mixing Valve / Blender Valve		