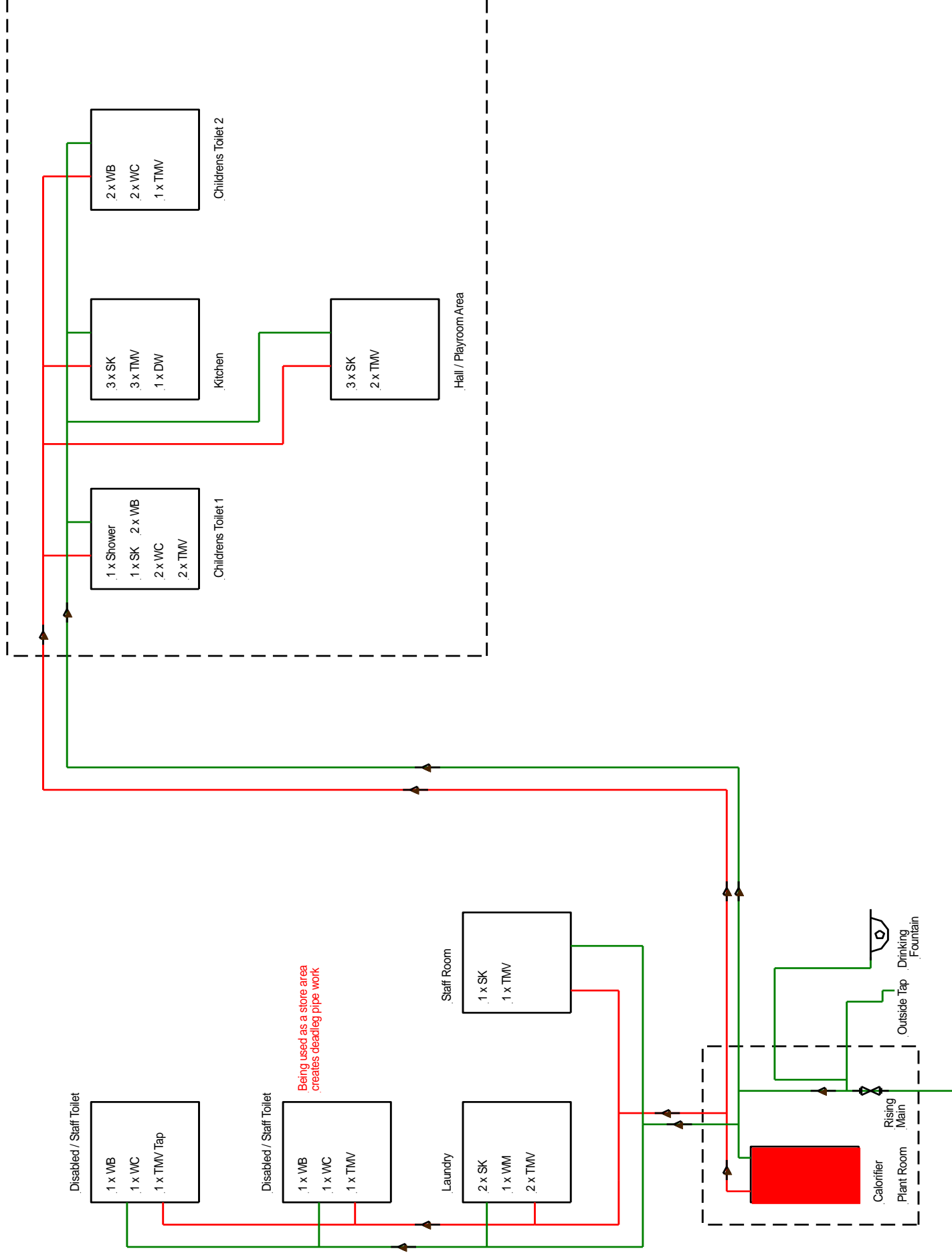


Weston Park Community Nursery

Water System Drawings

20th June 2018



LEGEND

- WM = Washing Machine
- WB = Wash Basin
- SK = Sink
- WC = Toilet
- SH = Shower
- DW = Dishwasher
- UR = Urinal
- WH = Water Heater
- POUWH = Point Of Use Water Heater
- TMV = Thermostatic Mixing Valve / Blender Valve

- █ Mains Water
- █ Down Service
- █ Hot Water
- █ Softened Water

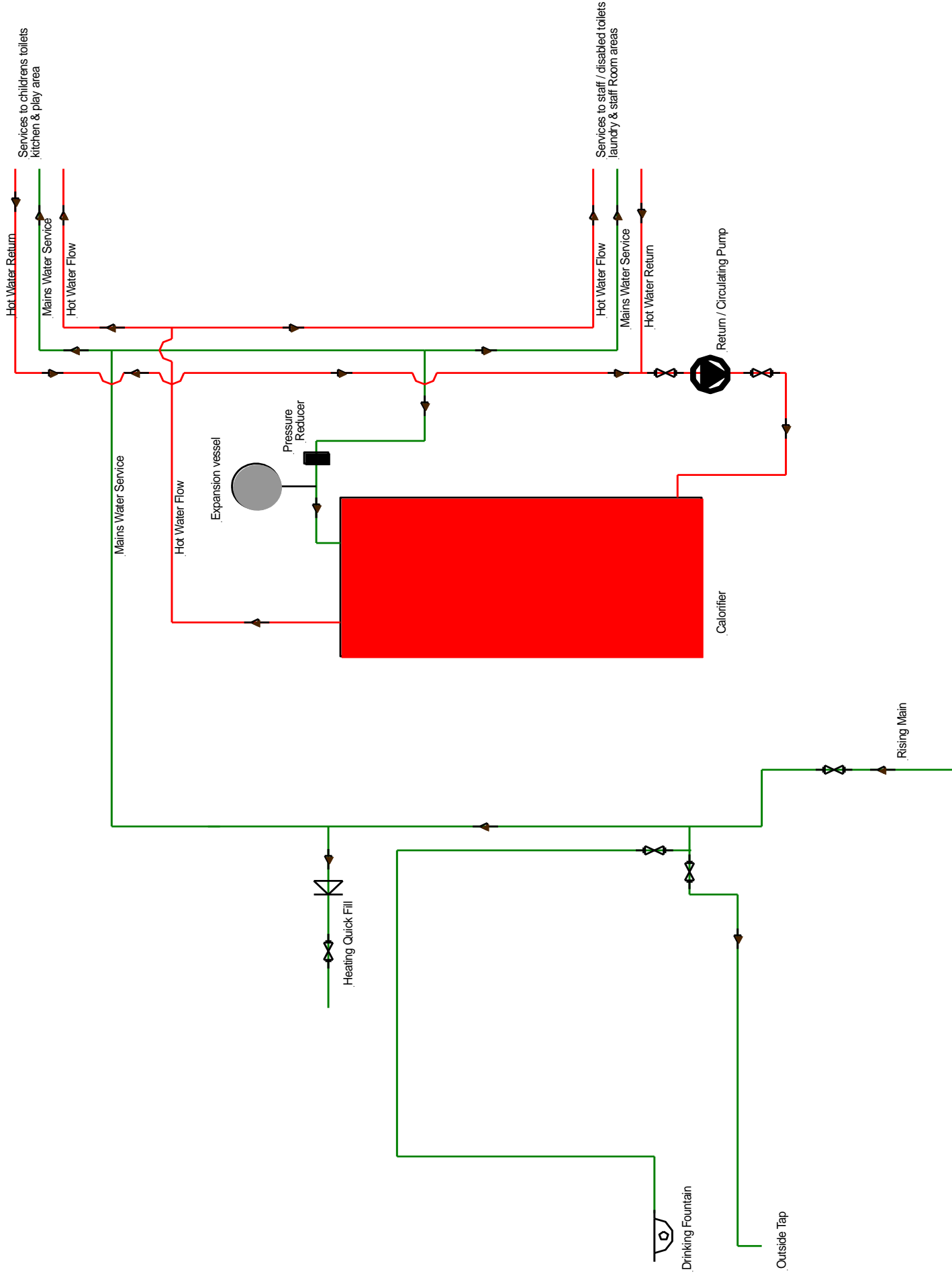
This drawing was prepared for the Legionellosis Risk Assessment Report and not intended as a scaled system drawing. Drawings are based on a visual inspection carried out during the Risk Assessment and information given at the time of the survey. Some areas of pipe work may not have been visible during the survey therefore some assumptions may have been made in order to create this drawing.

This drawing is not to scale



Freeston Water Treatment
Unit 1
Lulworth Business Centre
Calmore Industrial Estate
Totton Southampton
SO40 3WW
Tel 02380669713

Site Reference / Date
Weston Park Nursery
Domestic Water System Layout
20th June 2018



This drawing was prepared for the Legionellosis Risk Assessment Report and not intended as a scaled system drawing. Drawings are based on a visual inspection carried out during the Risk Assessment and information given at the time of the survey. Some areas of pipe work may not have been viable during the survey therefore some assumptions may have been made in order to create this drawing.

This drawing is not to scale

LEGEND	
WM = Washing Machine	DW = Dishwasher
WB = Wash Basin	UR = Urinal
SK = Sink	WH = Water Heater
WC = Toilet	POUWH = Point Of Use Water Heater
SH = Shower	TMW = Thermostatic Mixing Valve / Blender Valve
	Mains Water (Green line)
	Down Service (Blue line)
	Hot Water (Red line)
	Softened Water (Light Green line)

Freeston Water Treatment
 Unit 1
 Lulworth Business Centre
 Calmore Industrial Estate
 Totton Southampton
 SO40 3WV
 Tel: 02380669713



Site Reference / Date
 Weston Park Nursery
 Hot Water Storage System Layout
 20th June 2018