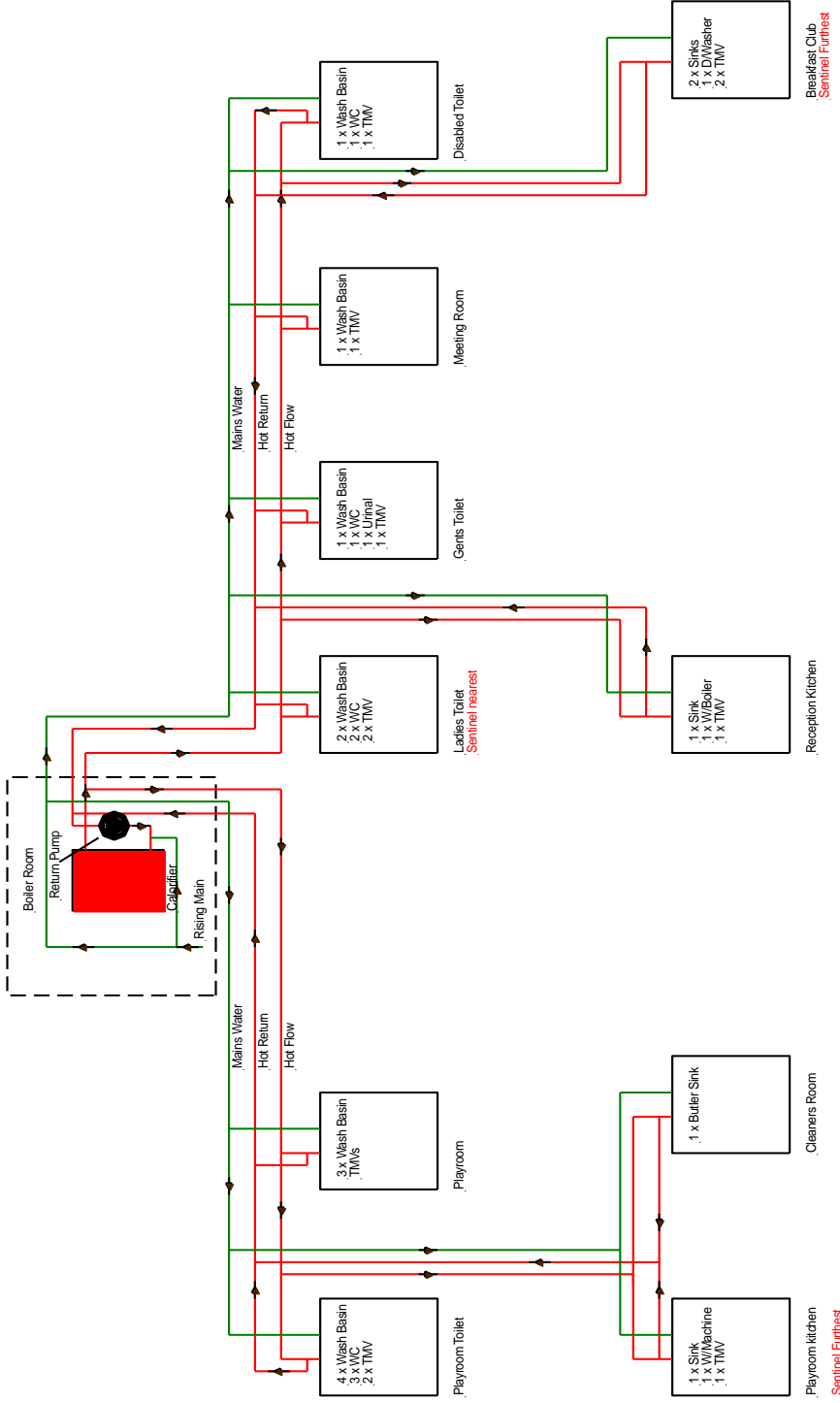


**Sure Start Townhill Park
(Cutbush Lane)**

Water System Drawing

7th June 2019



LEGEND

- WM = Washing Machine
- WB = Wash Basin
- SK = Sink
- WC = Toilet
- SH = Shower
- DW = Dishwasher
- UR = Urinal
- WH = Water Heater
- POUWH = Point Of Use Water Heater
- TMW = Thermostatic Mixing Valve / Blender Valve

- Mains Water
- Down Service
- Hot Water
- Softened Water

This drawing was prepared for the Legionellosis Risk Assessment Report and not intended as a scaled system drawing. Drawings are based on a visual inspection carried out during the Risk Assessment and information given at the time of the survey. Therefore some assumptions may have been made in order to create this drawing.

This drawing is not to scale



Freeston Water Treatment
Unit 11
Junction Business Centre
Cotton Estate
Totter Southampton
SO40 3MW
Tel 02380689713

Site Reference / Date
Southampton City Council
Sure Start Townhill Park (Cottush Lane)
Assumed Domestic Water System Layout
7th June 2019